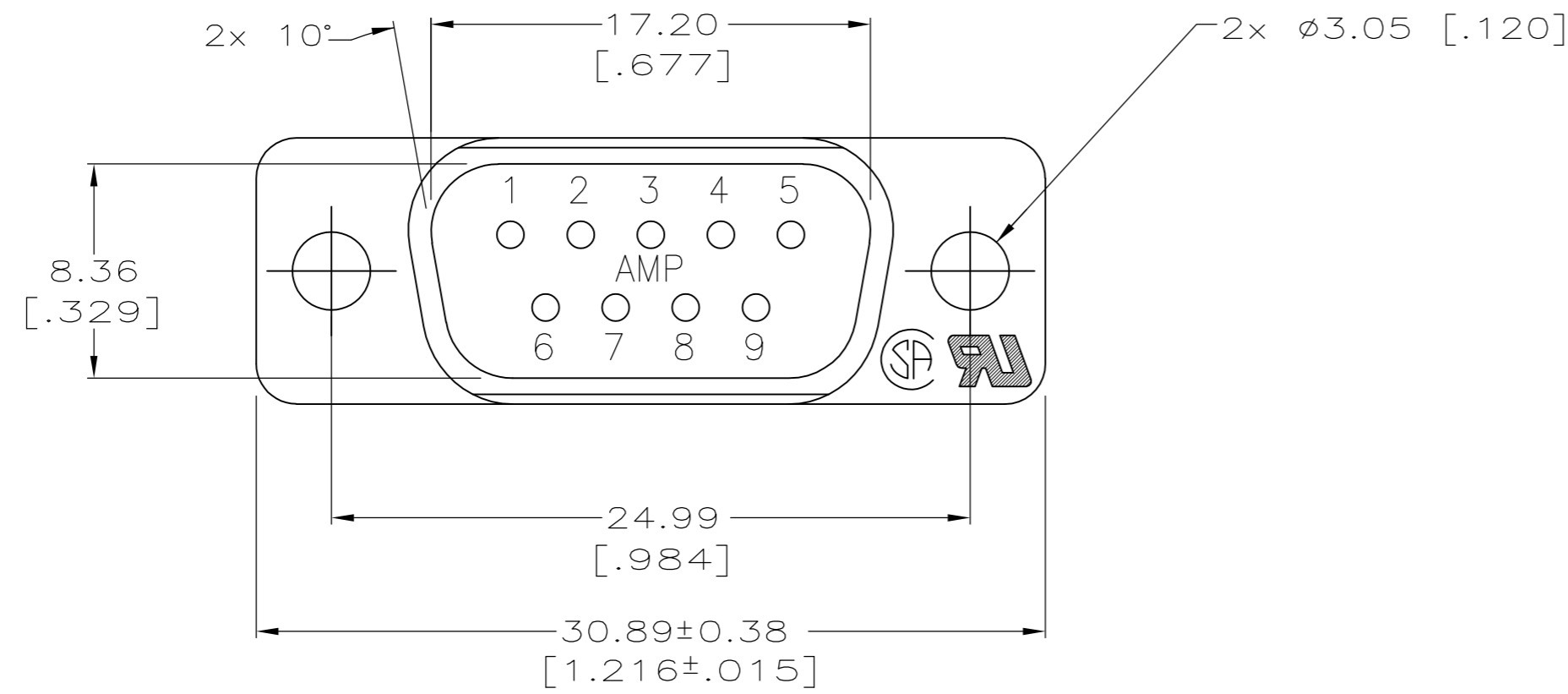
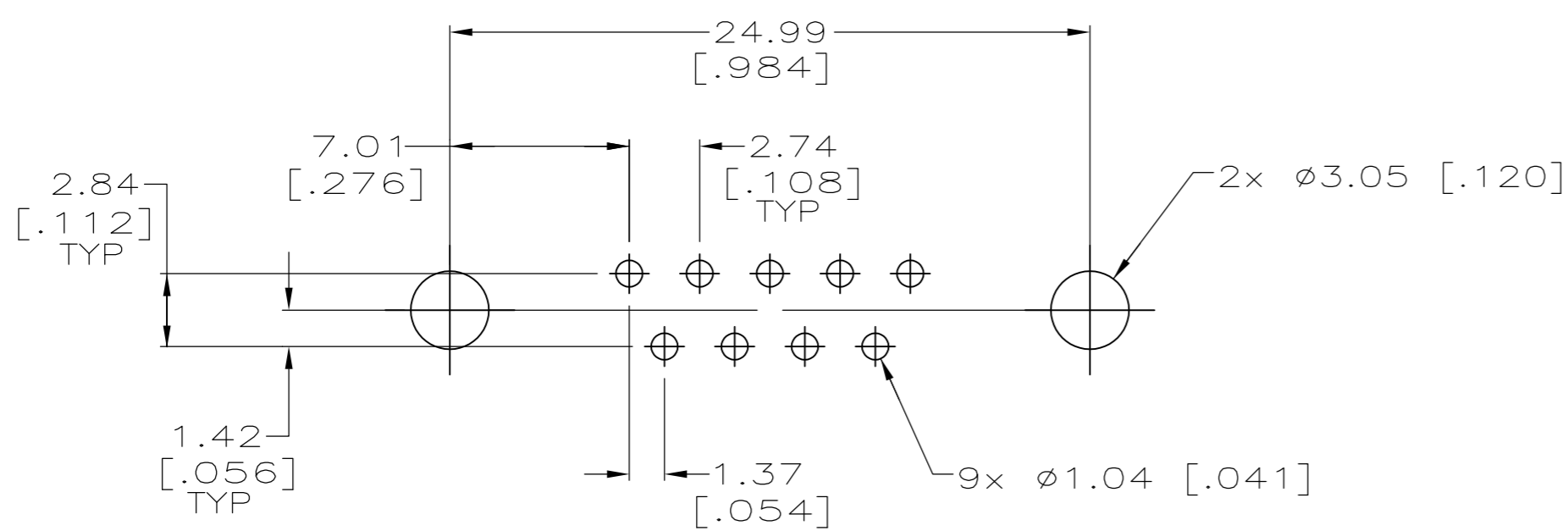
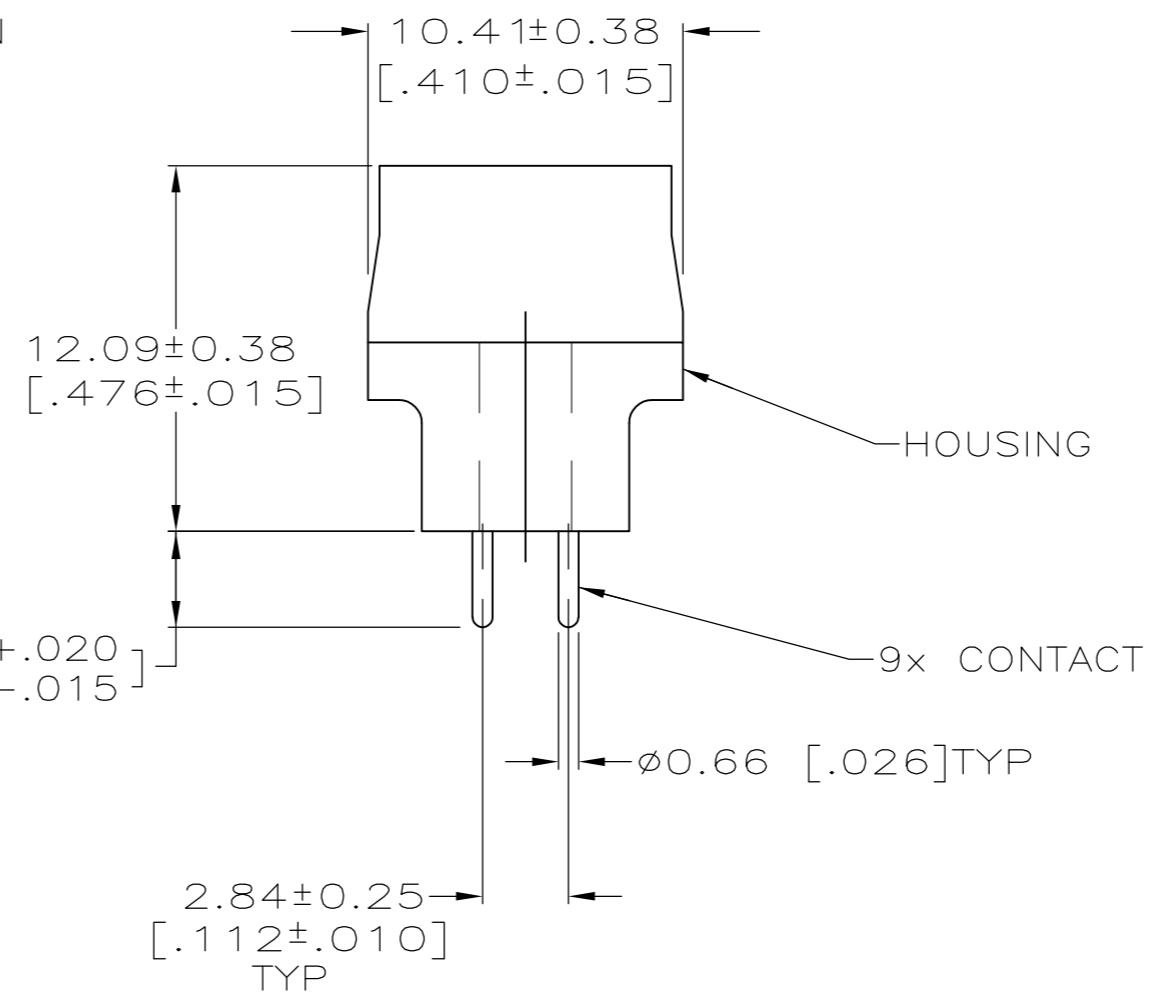
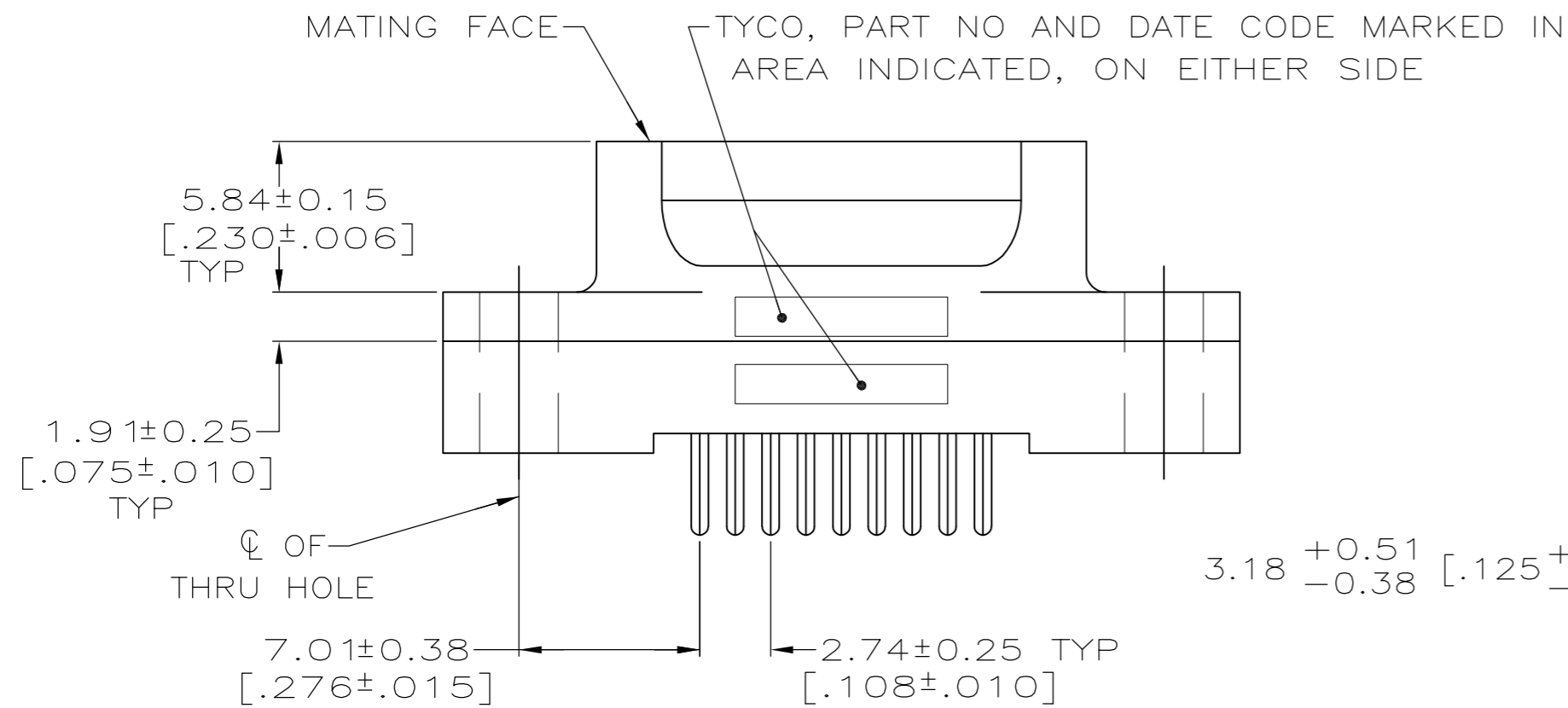


THIS DRAWING IS UNPUBLISHED. RELEASED FOR PUBLICATION  
 © COPYRIGHT - By - ALL RIGHTS RESERVED.

LOC		DIST		REVISIONS			
P	LTR	DESCRIPTION		DATE	DWN	APVD	
GP	00	A1	REVISED PER ECO-11-004835		11MAR11	RK	HMR



- 1 HOUSING: BLACK POLYESTER, UL 94V-0 RATED.  
CONTACTS: BRASS.
- 2 GOLD PLATED FOR LENGTH OF 3.81 [.150] MIN FROM MATING END, GOLD FLASH IN MATED AREA, 2.54µm [.000100] MIN TIN ON SOLDER END, BOTH OVER 1.27µm [.000050] MIN NICKEL.
- 3 GOLD PLATED FOR LENGTH OF 3.81 [.150] MIN FROM MATING END, 0.76µm [.000030] MIN GOLD IN MATED AREA, 2.54µm [.000100] MIN TIN ON SOLDER END, BOTH OVER 1.27µm [.000050] MIN NICKEL.  
OR  
GOLD FLASH OVER PALLADIUM NICKEL PLATED FOR LENGTH OF 3.81 [.150] MIN FROM MATING END, 0.76µm [.000030] MIN PALLADIUM NICKEL IN MATED AREA, 2.54µm [.000100] MIN TIN ON SOLDER END, BOTH OVER 1.27µm [.000050] MIN NICKEL.



RECOMMENDED PC BOARD MOUNTING DIMENSIONS

3	5208006-2
2	5208006-1
CONTACT FINISH	PART NO

THIS DRAWING IS A CONTROLLED DOCUMENT.		DWN	G.PETERS	12SEP05		TE Connectivity		
DIMENSIONS: mm [INCHES]		CHK	S.BOLASH	12SEP05		NAME		
TOLERANCES UNLESS OTHERWISE SPECIFIED:		APVD	M.WALMSLEY	12SEP05		PRODUCT SPEC		
0 PLC ± -		APPLICATION SPEC		108-40025				
1 PLC ± -		WEIGHT		A2		CAGE CODE		
2 PLC ± 0.13 [.005]		CUSTOMER DRAWING		00779		DRAWING NO		
3 PLC ± -		SCALE		4:1		SHEET		
4 PLC ± -		SHEET		1 of 1		REV		
ANGLES ± 2°		REV		A1		RESTRICTED TO		
FINISH		SCALE		4:1		SHEET		
1		SHEET		1 of 1		REV		
2		REV		A1		RESTRICTED TO		
3		REV		A1		RESTRICTED TO		

单击下面可查看定价，库存，交付和生命周期等信息

[>>TE Connectivity\(泰科\)](#)