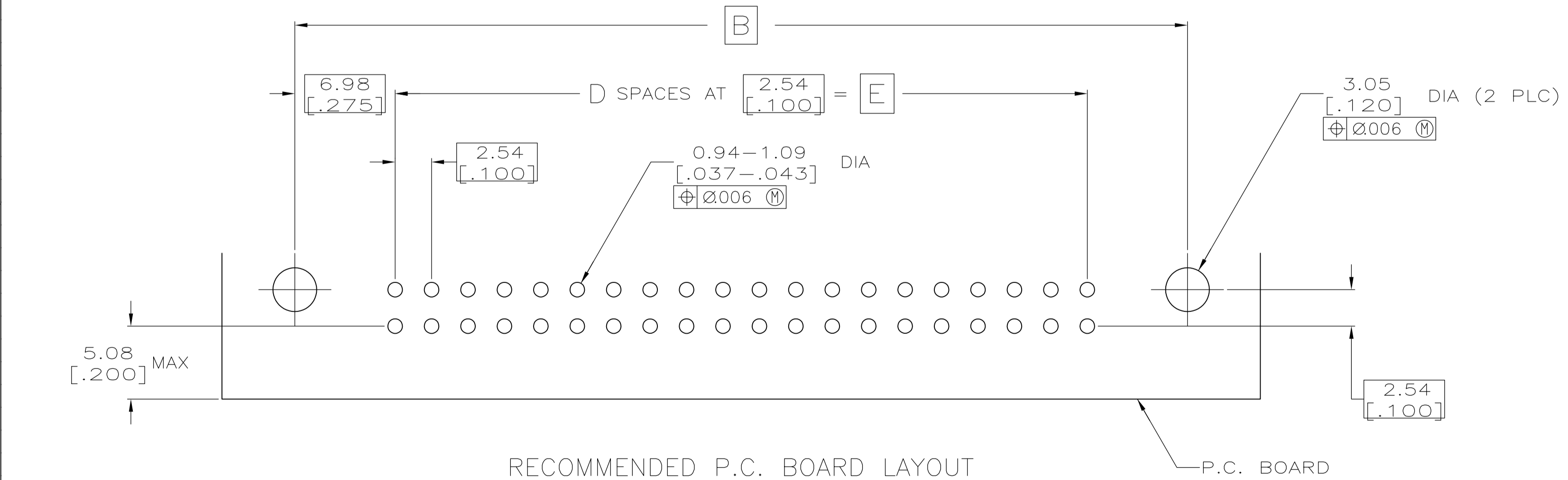
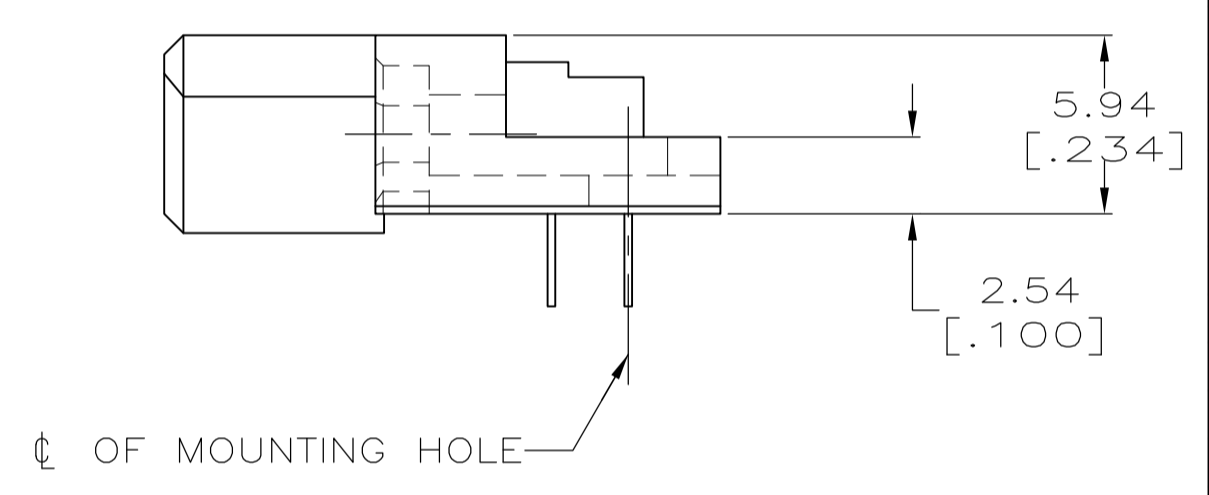
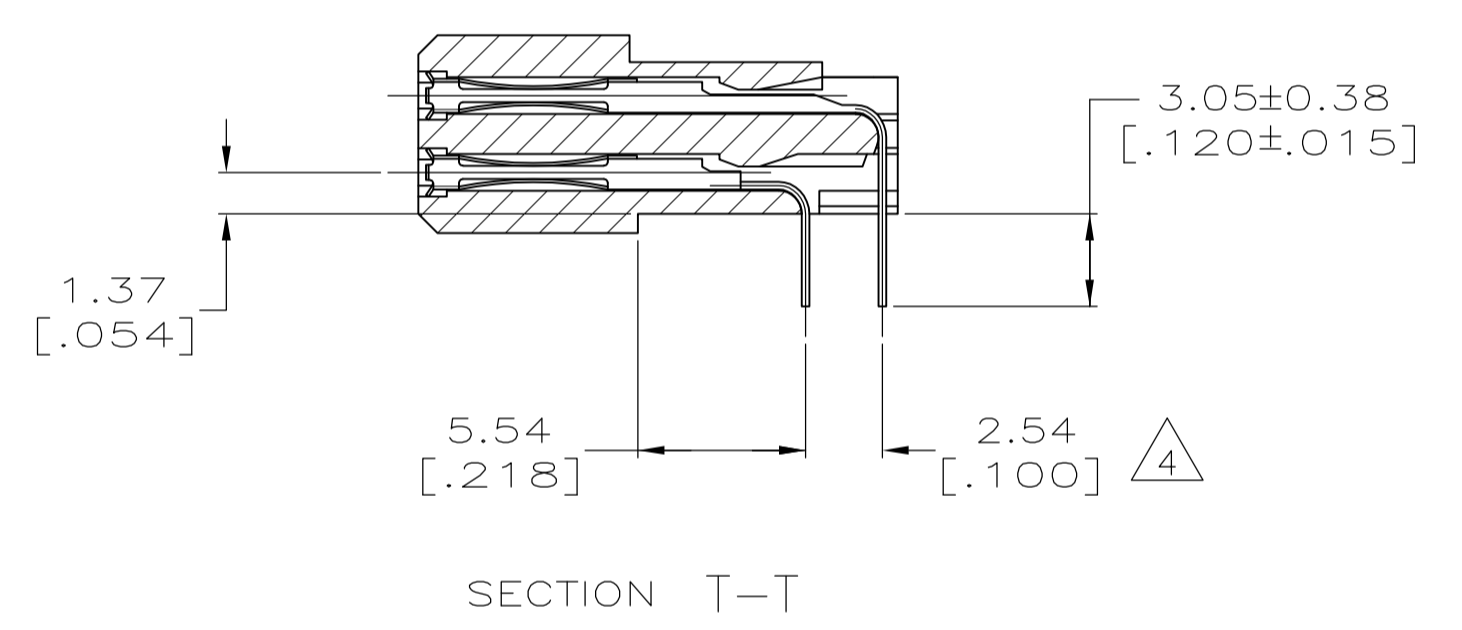
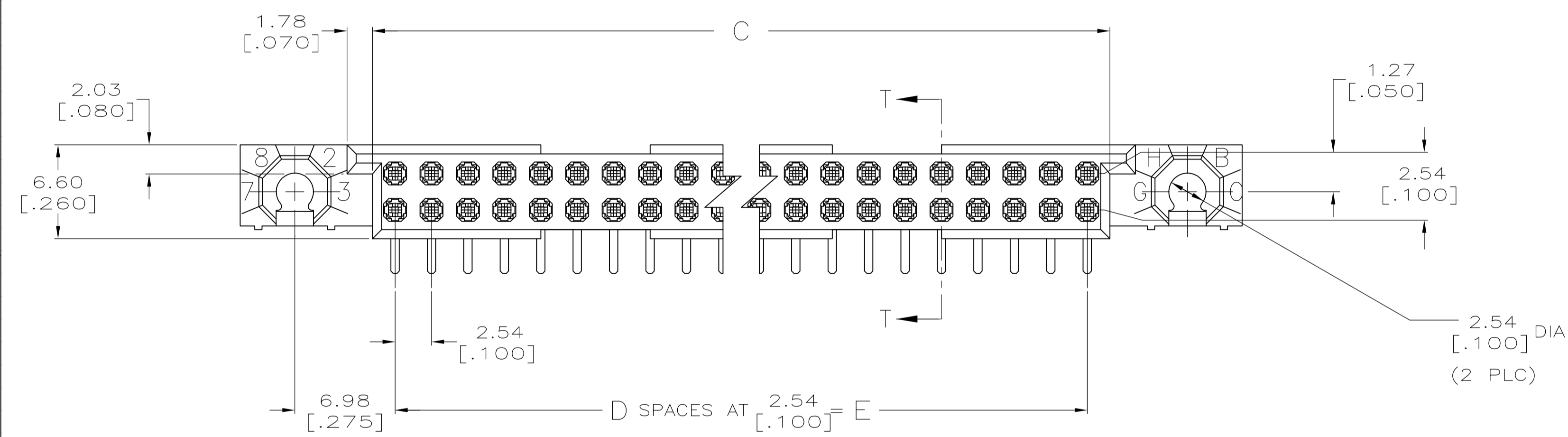
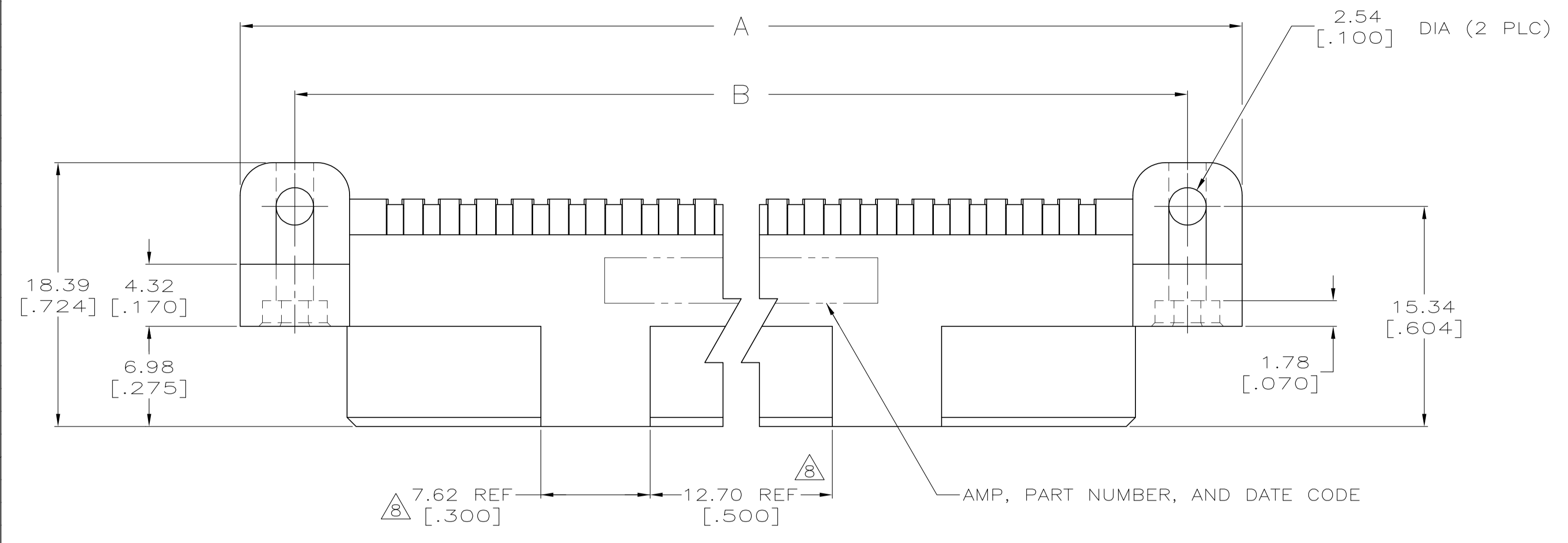


REVISIONS					
P	LTR	DESCRIPTION	DATE	DMN	APVD
S		REVISED PER ECO-16-009924	11JUL2016	DS	SY



THIS DRAWING IS A CONTROLLED DOCUMENT.		DIN R.K. SEIFRIED 06/18/90	TE Connectivity	
DIMENSIONS: mm [INCHES]		CHK J.D.WEARY 02/20/92		
TOLERANCES UNLESS OTHERWISE SPECIFIED:		APVD	NAME	
0 PLC ± -			HDI, 2 ROW, RECEPTACLE ASSEMBLY, 3.05 [.120] LONG SOLDER TAILS	
1 PLC ± -			PRODUCT SPEC	
2 PLC ± -			APPLICATION SPEC	
3 PLC ± 0.13 [.005]			SIZE CASE CODE DRAWING NO	
4 PLC ± -			RESTRICTED TO	
ANGLES ± -			WEIGHT 0 A1 00779 C=532825	
MATERIAL	FINISH	WEIGHT	CUSTOMER DRAWING SCALE 4:1 SHEET 1 OF 2 REV S	

REVISIONS				
P	LTR	DESCRIPTION	DATE	APPV
-		SEE SHEET 1	-	-

- ① HOUSING MATERIAL: THERMOPLASTIC, COLOR-NATURAL.
- ② CONTACT MATERIAL: COPPER ALLOY.
- ③ FINISH:  
MATING AREA: MEETS THE PERFORMANCE REQUIREMENTS OF PRODUCT SPECIFICATION 108-9063; BASED ON TELCORDIA DR-1217-CORE APPLICATIONS IN UNCONTROLLED ENVIRONMENTS.  
SOLDER TAILS AREA: TIN-LEAD PLATED.
- ④ SOLDER TAILS MUST FIT HOLE PATTERN AS SHOWN ON THE RECOMMENDED P.C. BOARD LAYOUT.
- 5. DIMENSIONS IN BRACKETS ARE IN INCHES.
- ⑥ HOUSINGS WITH CENTER MOUNTING IS RECOMMENDED FOR ASSEMBLIES HAVING 75 CONTACTS PER ROW OR MORE.
- ⑦ PART NUMBER IS OBSOLETE.
- ⑧ QUANTITIES OF VOID CORING ARE DEPENDENT ON THE POSITION SIZE OF THE HOUSING.
- ⑨ OBSOLETE PARTS: OBSOLETE CIS STREAMLINING PER D.RENAUD/D.SINISI
- ⑩ FINISH:  
CONTACT FINISH: .00127-.00254 [.000050-.000100] NICKEL UNDERPLATE ALL OVER; .000762 [.000030] GOLD PLATE IN CONTACT AREA, TIN-LEAD PLATED POSTS.

⑩	187.96 [7.400]	74	191.11 [7.524]	201.93 [7.950]	209.55 [8.250]	150	4-532825-4
⑥⑦	—	—	—	—	—	—	2-532825-0
⑥⑦	—	—	—	—	—	—	1-532825-9
⑥	238.76 [9.400]	94	241.91 [9.524]	252.73 [9.950]	260.35 [10.250]	190	1-532825-8
⑥⑦	—	—	—	—	—	—	1-532825-7
⑥⑦	—	—	—	—	—	—	1-532825-6
⑥⑦	200.66 [7.900]	79	203.81 [8.024]	214.63 [8.450]	222.25 [8.750]	160	1-532825-5
⑥⑦	187.96 [7.400]	74	191.11 [7.524]	201.93 [7.950]	209.55 [8.250]	150	1-532825-4
⑦	175.26 [6.900]	69	178.41 [7.024]	189.23 [7.450]	196.85 [7.750]	140	1-532825-3
⑦	—	—	—	—	—	—	1-532825-2
⑦	149.86 [5.900]	59	153.01 [6.024]	163.83 [6.450]	171.45 [6.750]	120	1-532825-1
⑦	—	—	—	—	—	—	1-532825-0
⑨ OBSOLETE	124.46 [4.900]	49	127.61 [5.024]	138.43 [5.450]	146.05 [5.750]	100	<del>532825-9</del>
⑦	111.76 [4.400]	44	114.91 [4.524]	125.73 [4.950]	133.35 [5.250]	90	532825-8
⑦	99.06 [3.900]	39	102.21 [4.024]	113.03 [4.450]	120.65 [4.750]	80	532825-7
⑦	86.36 [3.400]	34	89.51 [3.524]	100.33 [3.950]	107.95 [4.250]	70	532825-6
⑦	73.66 [2.900]	29	76.81 [3.024]	87.63 [3.450]	95.25 [3.750]	60	532825-5
⑦	60.96 [2.400]	24	64.11 [2.524]	74.93 [2.950]	82.55 [3.250]	50	532825-4
⑨ OBSOLETE	48.26 [1.900]	19	51.41 [2.024]	62.23 [2.450]	69.85 [2.750]	40	<del>532825-3</del>
⑦	35.56 [1.400]	14	38.71 [1.524]	49.53 [1.950]	57.15 [2.250]	30	532825-2
⑦	22.86 [.900]	9	26.01 [1.024]	36.83 [1.450]	44.45 [1.750]	20	532825-1
	E	D	C	B	A	POSN	PART NUMBER

THIS DRAWING IS A CONTROLLED DOCUMENT.

DIMENSIONS: mm [INCHES]	TOLERANCES UNLESS OTHERWISE SPECIFIED: 0. PLC ± - 1. PLC ± - 2. PLC ± - 3. PLC ± 0.13 [.005] 4. PLC ± - ANGLES ± -	DIN R.K. SEIFRIED 06/18/90 CHK J.D.WEARY 02/20/92 APPV -	NAME
MATERIAL	FINISH	WEIGHT 0	SIZE A1
CUSTOMER DRAWING		SCALE 4:1	SHEET 2 OF 2

STE TE Connectivity

PRODUCT SPEC: HOI, 2 ROW, RECEPTACLE ASSEMBLY, 3.05 [.120] LONG SOLDER TAILS

DRAWING NO: 00779-532825

RESTRICTED TO: -

单击下面可查看定价，库存，交付和生命周期等信息

[>>TE Connectivity\(泰科\)](#)