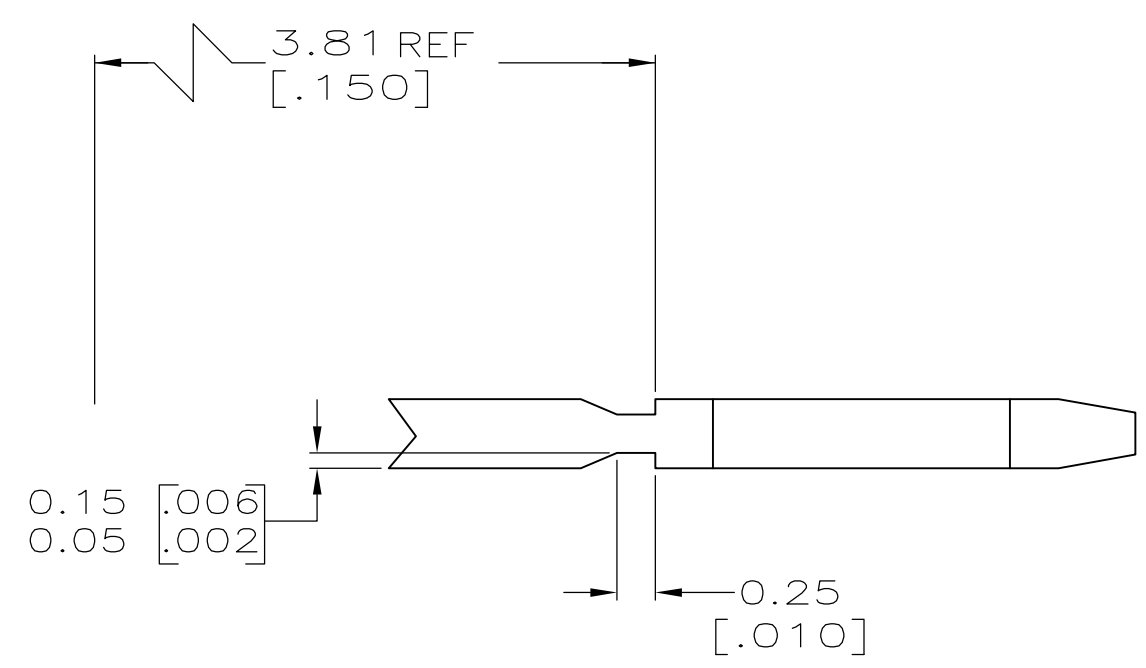
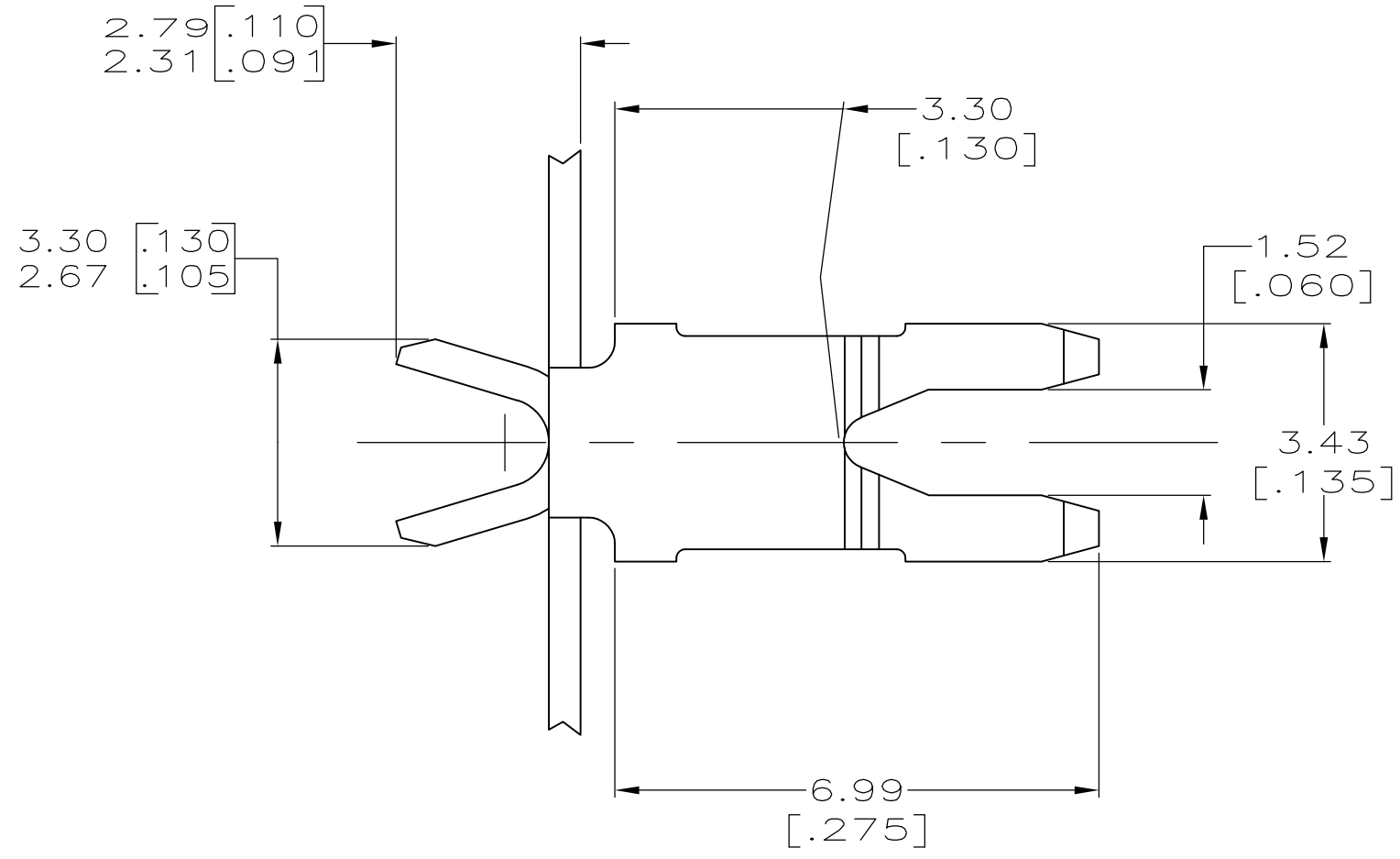


THIS DRAWING IS UNPUBLISHED. RELEASED FOR PUBLICATION
 © COPYRIGHT - By - ALL RIGHTS RESERVED.

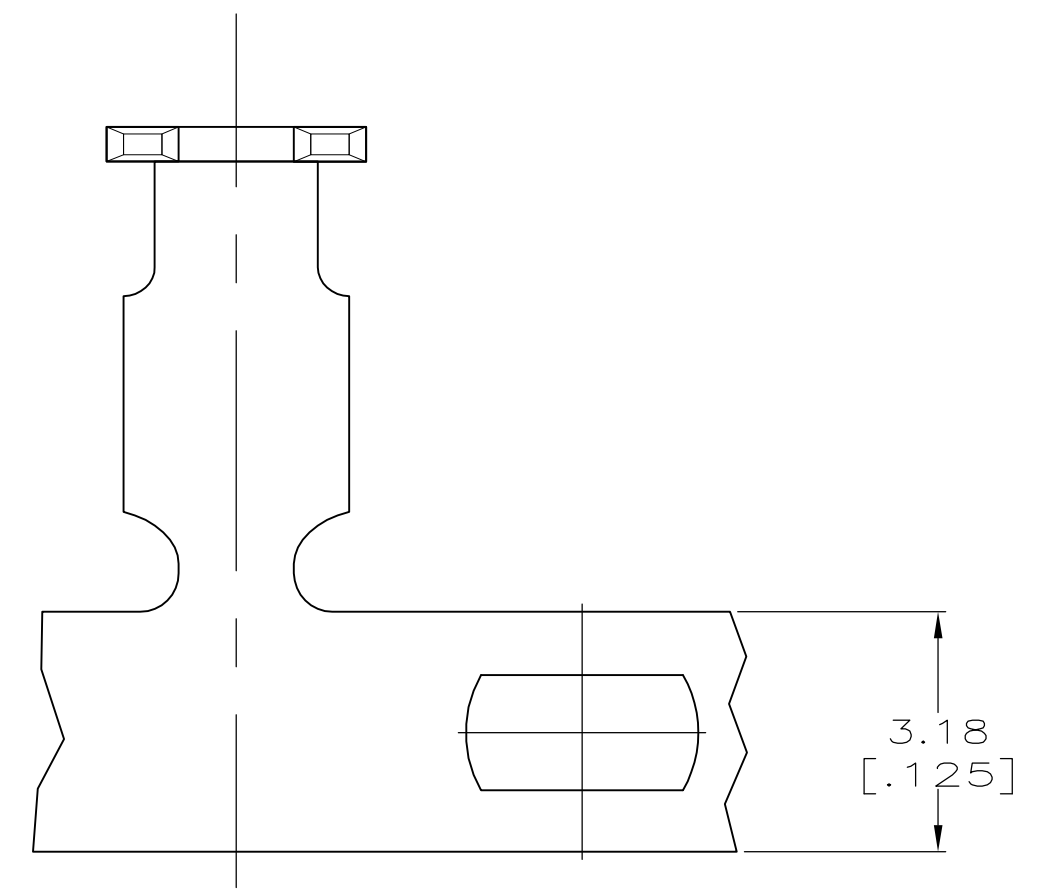
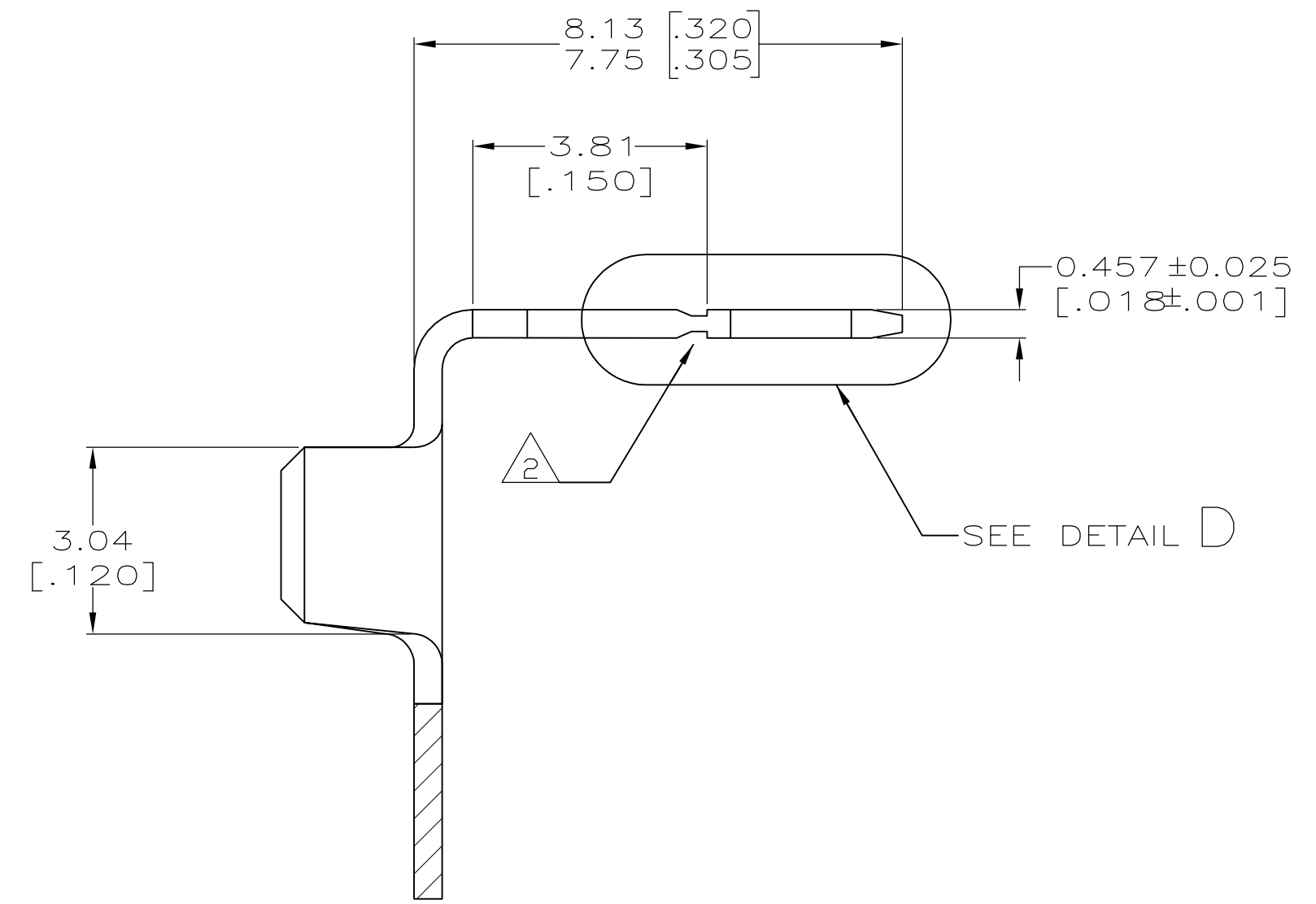
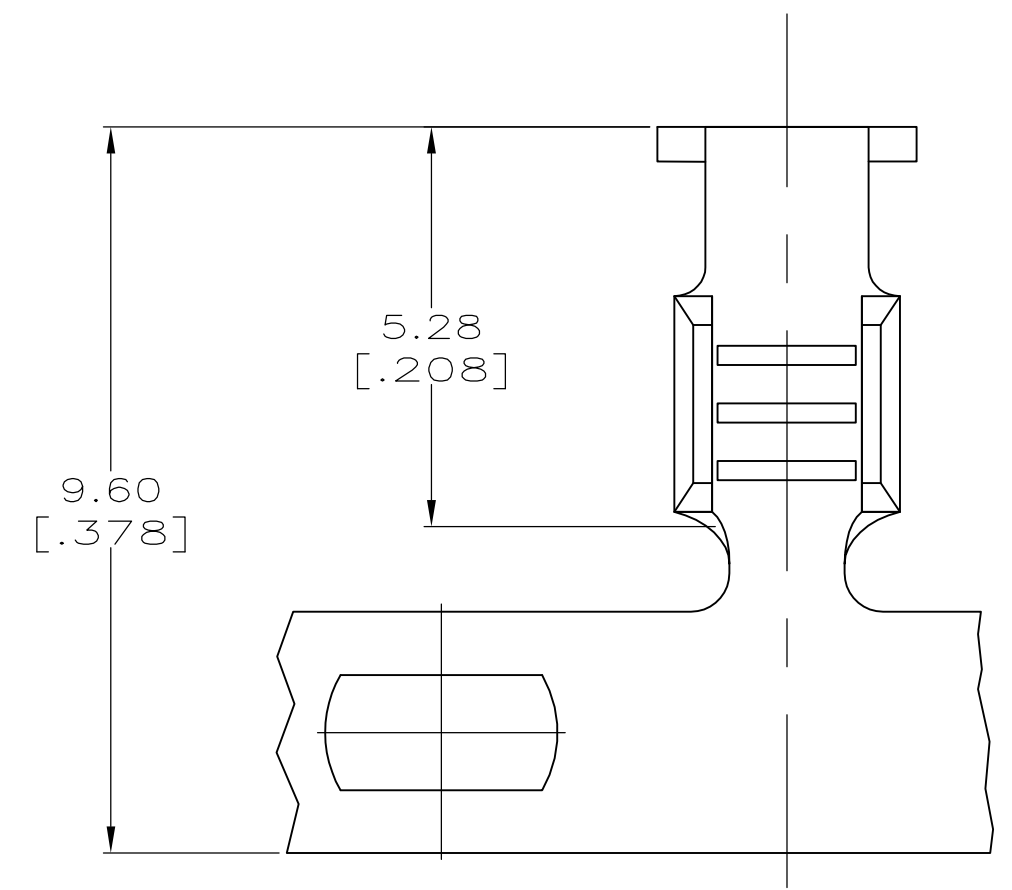
LOC	DIST	REVISIONS			
P	LTR	DESCRIPTION	DATE	DWN	APVD
AF	50	G1	ECR-13-017177	05NOV13	PKSRRP



DETAIL D
SCALE 20:1



1 CONTINUOUS STRIP ON REELS WITH TERMINALS LOCATED ON 9.14 ± 0.08 [.360 ± .003] CENTERS.
 2 FOR OPTIMUM RETENTION FORCE IN POKE-IN TYPE MAG-MATE TERMINALS, ONE OF THE SERRATIONS AS SHOWN MUST BE ENGAGED WITH THE EDGE OF THE LEAF.



0.3-0.8mm² [#22-18 AWG] WIRE RANGE
 63364-1 PART NUMBER

THIS DRAWING IS A CONTROLLED DOCUMENT.		DWN SCOTT URICH 03AUG98	TE Connectivity	
DIMENSIONS: mm		CHK MICHAEL S. FEHER 14SEP98	NAME -	
TOLERANCES UNLESS OTHERWISE SPECIFIED: 0 PLC ± - 1 PLC ± - 2 PLC ± 0.25 [.010] 3 PLC ± - 4 PLC ± - ANGLES ± -		APVD KURT A. RANDOLPH 14SEP98	PRODUCT SPEC 108-22045	
MATERIAL BRASS		FINISH PRE-TIN PLATED	APPLICATION SPEC 114-2050	RESTRICTED TO -
		WEIGHT -	SIZE A2	CAGE CODE 00779
		CUSTOMER DRAWING	DRAWING NO C=63364	SCALE 10:1
			SHEET 1 OF 1	REV G1

单击下面可查看定价，库存，交付和生命周期等信息

[>>TE Connectivity\(泰科\)](#)