

REVISIONS

P	LTR	DESCRIPTION	DATE	DWN	APVD
B	ECR-15-014706		10OCT2015	DL	CW
B1	ECR-15-016505		11NOV2015	DL	CW
B2	ECR-16-018198		16JAN2017	QY	CW
C	ECR-21-117384		09NOV2021	WQR	CW

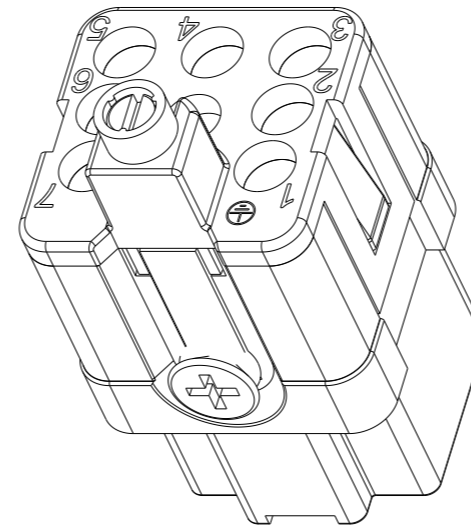
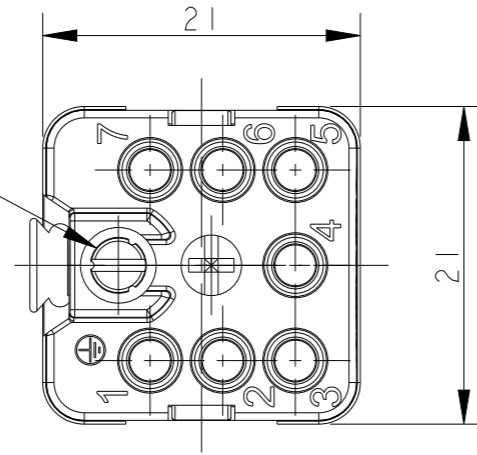
NOTES:

- TECHNICAL CHARACTERISTICS:
 INSULATION MATERIAL: PC
 RATED VOLTAGE: 400 V
 RATED CURRENT: 10 A
 INSULATION RESISTANCE: $\geq 400M\Omega$
 RATED IMPULSE VOLTAGE: 6 KV
 POLLUTION DEGREE: 3
 FLAMMABILITY: UL94V-0
 MATING CYCLES: 500 CYCLES
 WIRE RANGE: 0.14-2.5 mm² (26-14 AWG)
 CONTACT TYPE: CRIMP CONTACT
- CONTACT NEED TO BE ORDERED SEPARATELY.
 (ORDER No. REFER TO DRAWING: T20200X20XX000)

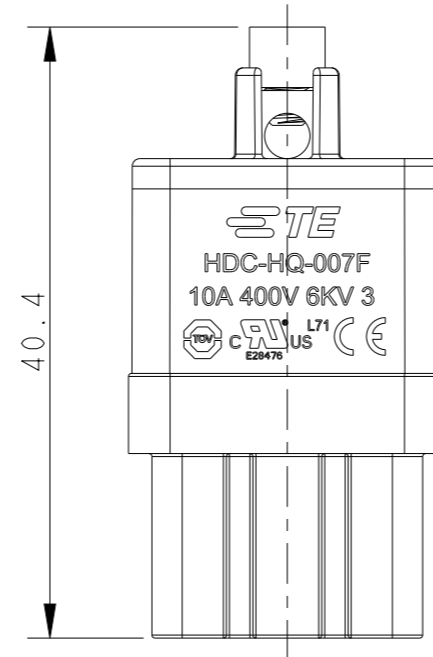
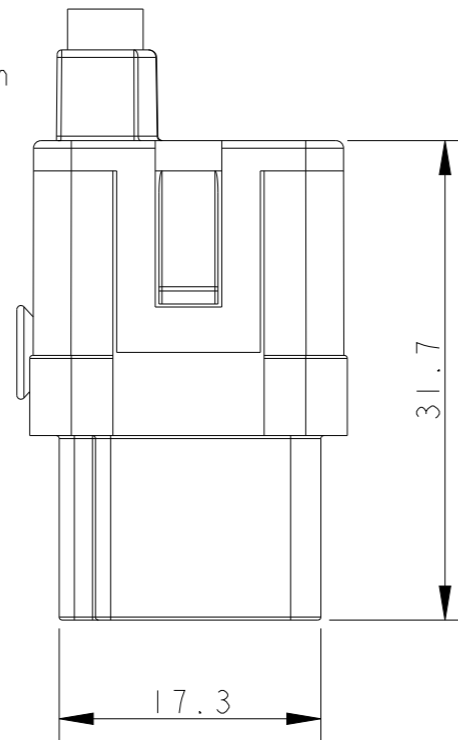
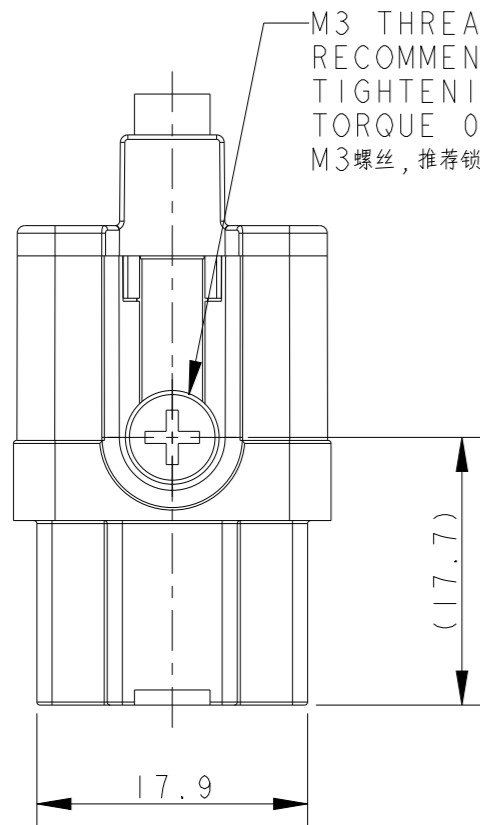
注释:

- 技术参数:
 绝缘材料: PC
 额定电压: 400V
 额定电流: 10A
 绝缘电阻: $\geq 400M\Omega$
 额定脉冲电压: 6 KV
 污染等级: 3
 阻燃等级: UL94V-0
 插拔次数: 500次
 接线范围: 0.14-2.5 mm² (26-14 AWG)
 接线类型: 冷压接
- 端子需要单独订购。
 (订货号参考图面: T20200X20XX000)

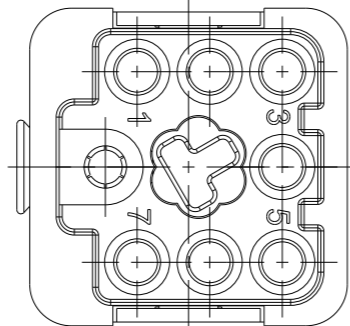
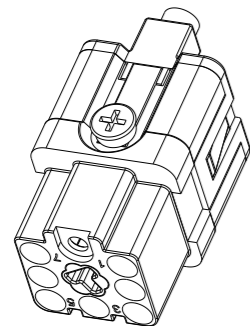
M3 THREAD
 RECOMMENDED
 TIGHTENING
 TORQUE 0.5Nm
 M3螺丝, 推荐锁紧力矩0.5Nm



M3 THREAD
 RECOMMENDED
 TIGHTENING
 TORQUE 0.5Nm
 M3螺丝, 推荐锁紧力矩0.5Nm



TYPE-1:T2080072201-000 TE LOGO
 类型-1:T2080072201-000 TE LOGO



GROUNDING CONTACT TYPE: SCREW CONTACT
 GROUNDING CONTACT FINISH: SILVER PLATED
 WIRE RANGE: 2.5mm² (AWG14)
 接地端子类型: 螺丝连接端子 / 接地端子表面处理: 镀银 / 接线范围: 2.5mm² (AWG14)

THIS DRAWING IS A CONTROLLED DOCUMENT.		DWN	31MAR2015	TE Connectivity	
		CHK	31MAR2015		
		APVD	31MAR2015		
		NAME	XU XIANG		
DIMENSIONS: mm		PRODUCT SPEC		NAME	
		108-137114		HQ-007-F	
TOLERANCES UNLESS OTHERWISE SPECIFIED:		APPLICATION SPEC		RESTRICTED TO	
0 PLC ±- 1 PLC ±- 2 PLC ±- 3 PLC ±- 4 PLC ±- ANGLES ±-		114-137114		SIZE	CAGE CODE
MATERIAL		WEIGHT		A3	-
		CUSTOMER DRAWING		DRAWING NO	
				G-T2080072201000	
				SCALE	SHEET
				2:1	1 OF 2
				REV	C

4

3

2

1

THIS DRAWING IS UNPUBLISHED.

RELEASED FOR PUBLICATION

20

REVISIONS

© COPYRIGHT 20 BY -

ALL RIGHTS RESERVED.

P	LTR	DESCRIPTION	DATE	DWN	APVD
-	-	SEE SHEET 1	-	-	-


ALL DIMENSIONS ARE SAME AS TYPE 1,
EXCEPT THOSE DEFINED IN THIS TYPE.
除了在本类型中定义的尺寸外, 其它尺寸同类型 |

NOTES:
SEE SHEET 1
注释:
见页 1

TYPE-2: T2080072201-001 STAINLESS STEEL SCREW, NO LOGO
类型-2: T2080072201-001 不锈钢螺丝, 无LOGO

T2080072201-001	HQ-007-F	HQ-007 FEMALE INSERT, STAINLESS STEEL SCREW, NO LOGO HQ-007母插, 不锈钢螺丝, 无LOGO	TYPE-2 类型-2
T2080072201-000	HQ-007-F	HQ-007 FEMALE INSERT HQ-007母插	TYPE-1 类型-1
PART NUMBER 料号	PART DESCRIPTION 描述		TYPE 类型

GROUNDING CONTACT TYPE: SCREW CONTACT
GROUNDING CONTACT FINISH: SILVER PLATED
WIRE RANGE: 2.5mm² (AWG14)
接地端子类型: 螺丝连接端子 / 接地端子表面处理: 镀银 / 接线范围: 2.5mm² (AWG14)

THIS DRAWING IS A CONTROLLED DOCUMENT.		DWN 31MAR2015 DAVID LI	 TE Connectivity	
DIMENSIONS: mm		CHK 31MAR2015 CHRIS WANG		
TOLERANCES UNLESS OTHERWISE SPECIFIED:		APVD 31MAR2015 XU XIANG	NAME HQ-007-F	
0 PLC ±-		PRODUCT SPEC 108-137114	SIZE A3	
1 PLC ±-		APPLICATION SPEC 114-137114	CAGE CODE -	DRAWING NO C-T2080072201000
2 PLC ±-		WEIGHT -	RESTRICTED TO	
3 PLC ±-		CUSTOMER DRAWING	SCALE 2:1	SHEET 2 OF 2
4 PLC ±-			REV C	
ANGLES ±-				
FINISH				
MATERIAL -				
-				

1470-19 (3/13)

Downloaded From Oneyac.com

单击下面可查看定价，库存，交付和生命周期等信息

[>>TE Connectivity\(泰科\)](#)