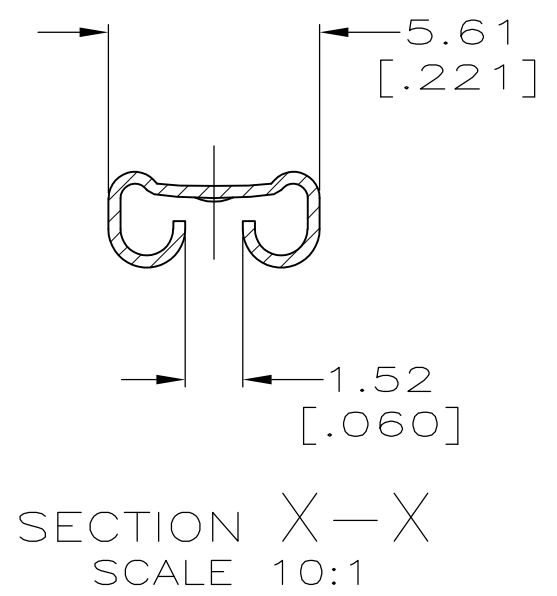
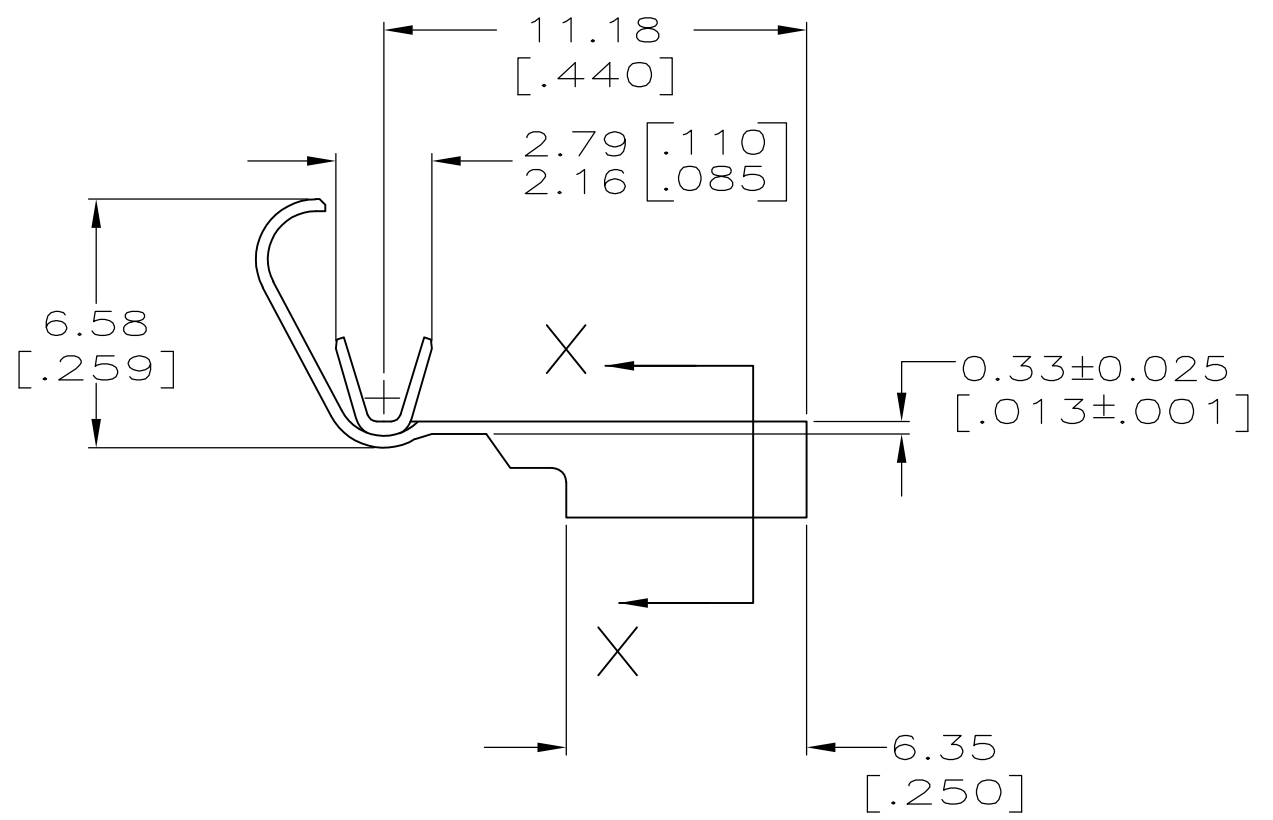
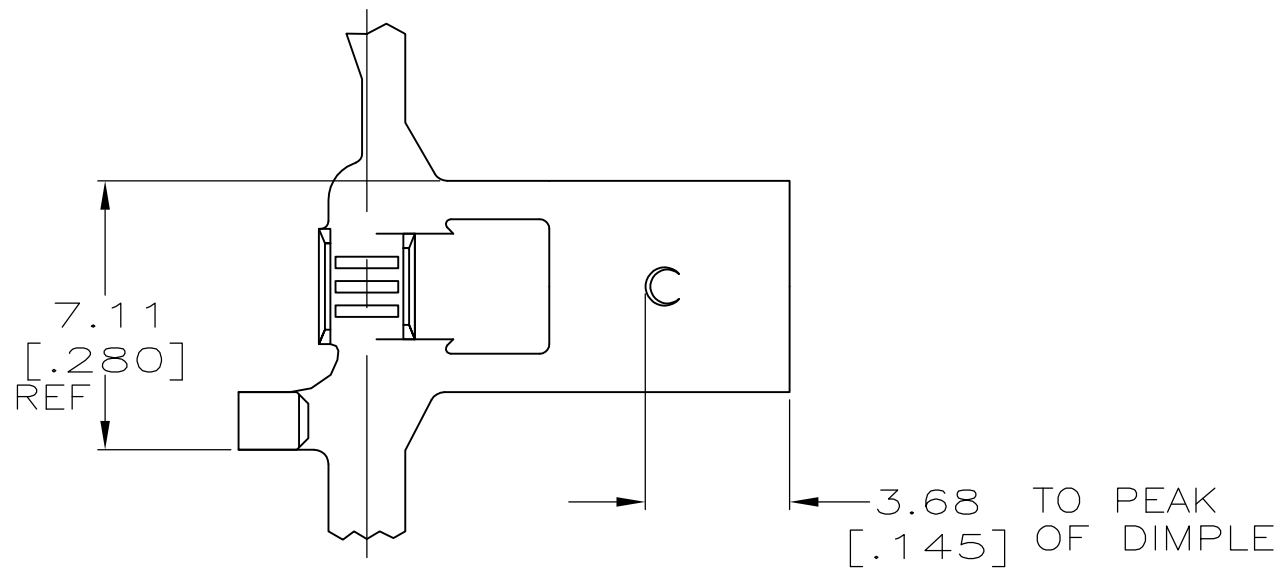


THIS DRAWING IS UNPUBLISHED. RELEASED FOR PUBLICATION
 © COPYRIGHT - By - ALL RIGHTS RESERVED.

LOC	DIST	REVISIONS			
P	LTR	DESCRIPTION	DATE	DWN	APVD
AF	50	J	REVISED PER ECR-12-013518	23NOV2012	KH PD



- CONTINUOUS STRIP ON REELS.
- ACCEPTS WIRE SIZE [#22-#18] AWG
- INSULATION RANGE TO BE 1.52-2.79 [.060-.110] DIA.
- MATING TAB THK TO BE 0.813±0.025 [.032±.001].

OBSOLETE	-	63405-2
	PRE-TIN	63405-1
	FINISH	PART NO

THIS DRAWING IS A CONTROLLED DOCUMENT.		DWN	JR RUTH	1/25/96	TE Connectivity				
DIMENSIONS: mm [INCHES]		CHK	MS FEHER	1/25/96					
TOLERANCES UNLESS OTHERWISE SPECIFIED:		APVD	J HUZVAR	1/25/96	NAME				
0 PLC ± - 1 PLC ± - 2 PLC ± 0.25 [.010] 3 PLC ± - 4 PLC ± - ANGLES ± -		PRODUCT SPEC		RECEPTACLE, FASTON, FLAG, 4.75 [.187] SERIES					
MATERIAL	BRASS	FINISH	SEE TABLE	APPLICATION SPEC	SIZE	CAGE CODE	DRAWING NO	RESTRICTED TO	
				WEIGHT	A300779		C-63405	-	
				CUSTOMER DRAWING		SCALE	5:1	SHEET 1 OF 1	REV J

单击下面可查看定价，库存，交付和生命周期等信息

[>>TE Connectivity\(泰科\)](#)