

THIS DRAWING IS UNPUBLISHED.

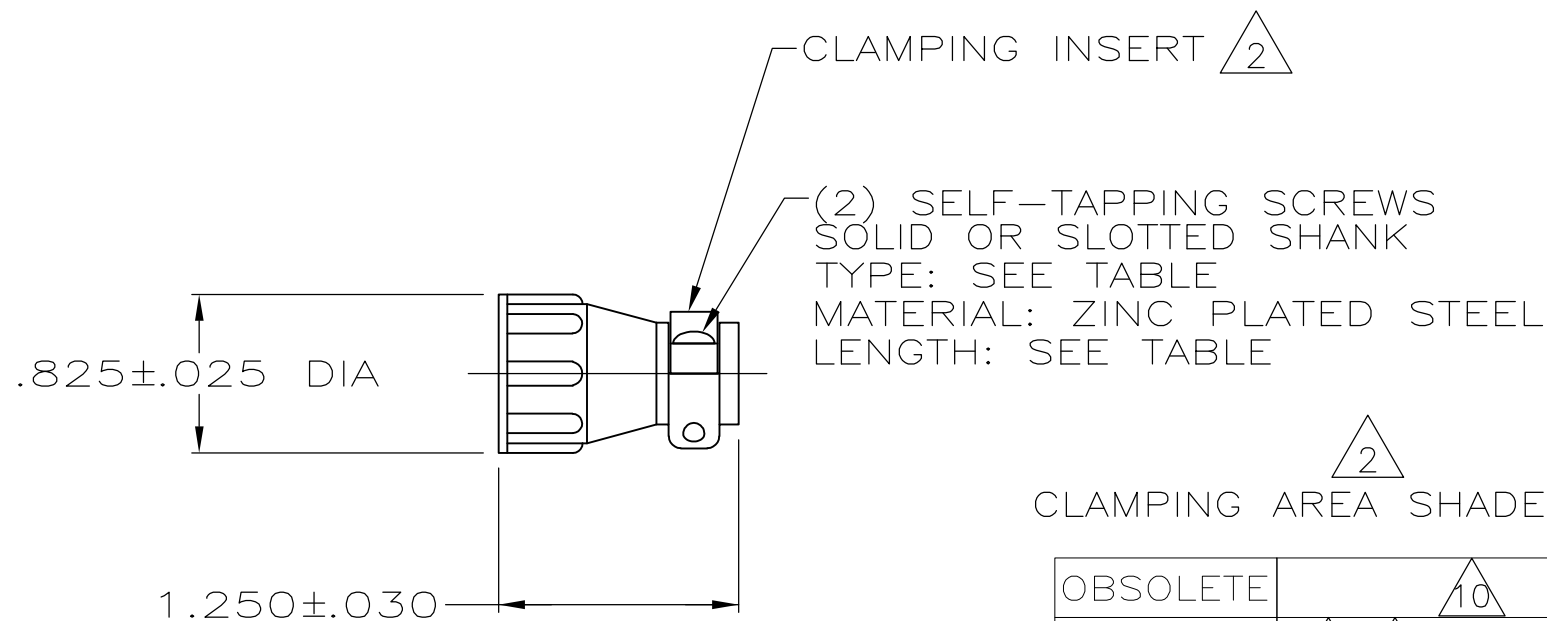
RELEASED FOR PUBLICATION

ALL RIGHTS RESERVED.

© COPYRIGHT - By -

REVISIONS

P	LTR	DESCRIPTION	DATE	DWN	APVD
	V1	REVISED PER ECO-15-002073	06MAY2015	NK	MZ
	W	REVISED PER ECR-16-017870	20APR2017	BDA	MZ



- 1 PARTS PACKAGED UNASSEMBLED.
- 2 CABLE CLAMPING AREA ADJUSTABLE FROM .004 TO .055 SQ IN BY REVERSING CLAMPING INSERTS.
- 3 .329 MAXIMUM CABLE OUTSIDE DIAMETER.
- 4 BULK PACKAGED KITS TO BE ORDERED IN MULTIPLES OF 800 ONLY.
- 5 OBSOLETE PART NUMBER.
- 6 STAINLESS STEEL (NON MAGNATIC).
- 7 CABLE CLAMP WITH NON-MAGNETIC STAINLESS STEEL SCREWS.
- 8 ZINC PLATED STEEL, NON-HEXAVALENT CHROMATE.

PACKAGING	SCREW FINISH	SCREW LENGTH	SCREW TYPE	PART NUMBER
OBSOLETE	8	.50 ^{±.00} _{-.05}	#5-20	2-206062-0
OBSOLETE	6	.50 ^{±.00} _{-.05}	#5-20	1-206062-9
BULK	8	.50 ^{±.00} _{-.05}	#5-20	1-206062-7
INDIVIDUAL	8	.38 ^{±.00} _{-.05}	#5-20	1-206062-6
BULK	8	.38 ^{±.00} _{-.05}	#5-20	1-206062-5
INDIVIDUAL	8	.50 ^{±.00} _{-.05}	#5-20	1-206062-4
INDIVIDUAL	8	.62 ^{±.00} _{-.05}	#5-20	1-206062-3
INDIVIDUAL	6	.50 ^{±.00} _{-.05}	#5-20	1-206062-2
SUPERSEDED BY 1-206062-3	8	.62 ^{±.00} _{-.05}	#5-20	1-206062-1
OBSOLETE	8	.38 ^{±.00} _{-.05}	#5-20	1-206062-0
AMP BRAZIL USE ONLY		12mm ^{+.0} _{-.8}	3mm-20	206062-9
AMP BRAZIL USE ONLY		10mm ^{+.0} _{-.8}	3mm-20	206062-8
SUPERSEDED BY 1-206062-7	8	.50 ^{±.00} _{-.05}	#5-20	206062-4
SUPERSEDED BY 1-206062-4	8	.50 ^{±.00} _{-.05}	#5-20	206062-3
SUPERSEDED BY 1-206062-5	8	.38 ^{±.00} _{-.05}	#5-20	206062-2
SUPERSEDED BY 1-206062-6	8	.38 ^{±.00} _{-.05}	#5-20	206062-1

- 9 OBSOLETE PARTS: OBSOLETE CIS STREAMLINING PER D.RENAUD/D.SINISI
- 10 SPECIAL PACKAGING CONSISTING OF 1 KIT PER INDIVIDUAL BAG, 20 INDIVIDUAL BAGS PER LARGER BAG, 5 LARGER BAGS PER SHIPPER BOX.

THIS DRAWING IS A CONTROLLED DOCUMENT.

DWN: A GRAFF 4/29/91
 CHK: W.G.LENKER 7-22-92
 APVD: -

STE TE Connectivity

CABLE CLAMP KIT, STANDARD, SHELL SIZE 11, CPC

DIMENSIONS: INCHES	TOLERANCES UNLESS OTHERWISE SPECIFIED:	PRODUCT SPEC	NAME
0 PLC ± -	1 PLC ± -	APPLICATION SPEC	SIZE
2 PLC ± -	3 PLC ± -	WEIGHT	CAGE CODE
4 PLC ± -	ANGLES ± -		DRAWING NO
MATERIAL: THERMOPLASTIC	FINISH: -		RESTRICTED TO

CUSTOMER DRAWING SCALE: NTS SHEET: 1 OF 1 REV: W

单击下面可查看定价，库存，交付和生命周期等信息

[>>TE Connectivity\(泰科\)](#)