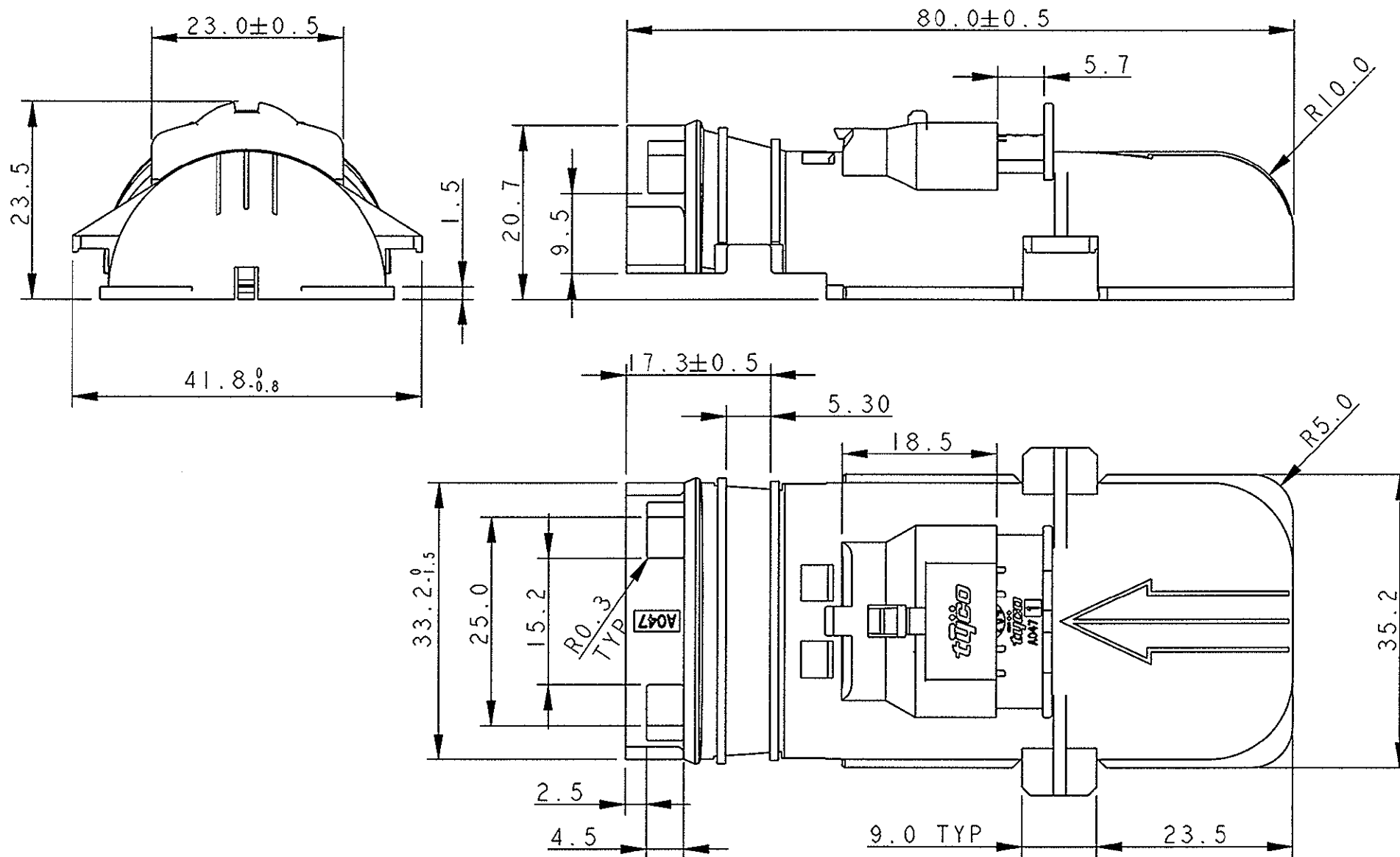
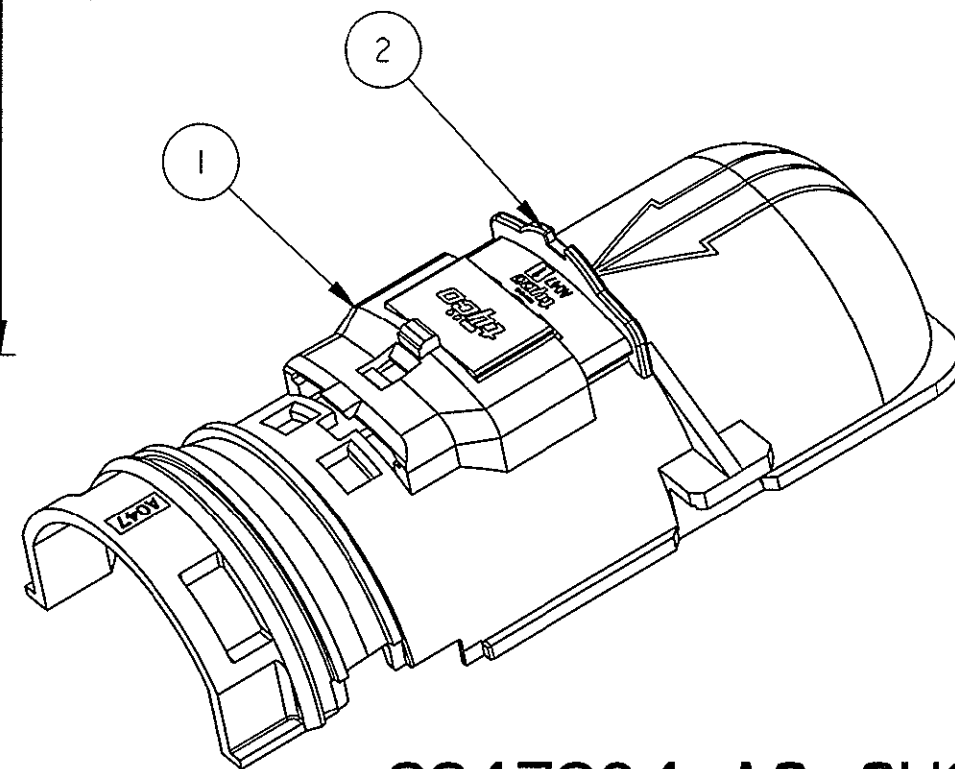


P	LTR	DESCRIPTION	DATE	DWN	APVD
0		PRELIMINARY ISSUE (EMISSIONE PRELIMINARE)	20JAN2004	M. P.	O. C.
A		FIRST ISSUE (PRIMA EMISSIONE) ET00-0036-04	04MAR2004	M. P.	O. C.
AI		RELEASED FOR PRODUCTION (ET00-0059-04)	29APR2004	M. P.	O. C.



NOTES:  
(NOTE:)

- 1) PRODUCT SUITABLE FOR MATING WITH 60 POS. RECEPTACLE HOUSING P/N 2-1355123-3 (PRODOTTO ADATTO ALL'USO IN ACCOPPIAMENTO CON IL CONNETTORE FEMMINA 60 VIE P/N 2-1355123-3)
- 2) THE PRODUCT IS SUPPLIED WITH THE CONTROL POSITION ASSURANCE DEVICE (CPA) OF THE LEVER IN OPENED POSITION (IL PRODOTTO VIENE FORNITO CON IL DISPOSITIVO DI CONTROLLO CHIUSURA LEVA IN POSIZIONE APERTA)



**284726-1 AS SHOWN  
(COME MOSTRATO)**

PART LIST (LISTA COMPONENTI)			
ITEM (NUMERO)	DESCRIPTION (DESCRIZIONE)	MATERIAL (MATERIALE)	QUANTITY (QUANTITA')
1	COVER FOR RECEPTACLE HOUSING (COPERCHIO PER CONNETTORE FEMMINA)	PA66GF COLOR BLACK (COLORE NERO)	1
2	CONTROL POSITION ASSURANCE DEVICE (CPA) (DISPOSITIVO DI CONTROLLO CHIUSURA LEVA)	PA66GF COLOR YELLOW (COLORE GIALLO)	1

THIS DRAWING IS A CONTROLLED DOCUMENT FOR TYCO ELECTRONICS CORPORATION. IT IS SUBJECT TO CHANGE AND THE CONTROLLING ENGINEERING ORGANIZATION SHOULD BE CONTACTED FOR THE LATEST REVISION.

DIMENSIONS:		TOLERANCES UNLESS OTHERWISE SPECIFIED:	
mm			
0 PLC	±0.3	1 PLC	±0.3
2 PLC	±0.3	3 PLC	±
4 PLC	±	ANGLES	±1°
MATERIAL	-	FINISH	-

DWN	M. POLIZZI	20JAN2004	tyco Electronics		tyco Electronics AMP Italia
CHK	O. CANUTO	20JAN2004	Electronics		C.so Fratelli Cervi, 15 Collegno(To)
APVD	A. GENTA	20JAN2004	NAME		
PRODUCT SPEC			KIT COVER 60 POS. WITH CPA		
APPLICATION SPEC			(KIT COPERCHIO 60 POSIZIONI CON DISPOSITIVO CONTROLLO CHIUSURA LEVA)		
SIZE	A3	CAGE CODE	00779	DRAWING NO	C=284726
WEIGHT	-	RESTRICTED TO		-	
CUSTOMER DRAWING			SCALE	3:2	SHEET 1 OF 1 REV AI

单击下面可查看定价，库存，交付和生命周期等信息

[>>TE Connectivity\(泰科\)](#)