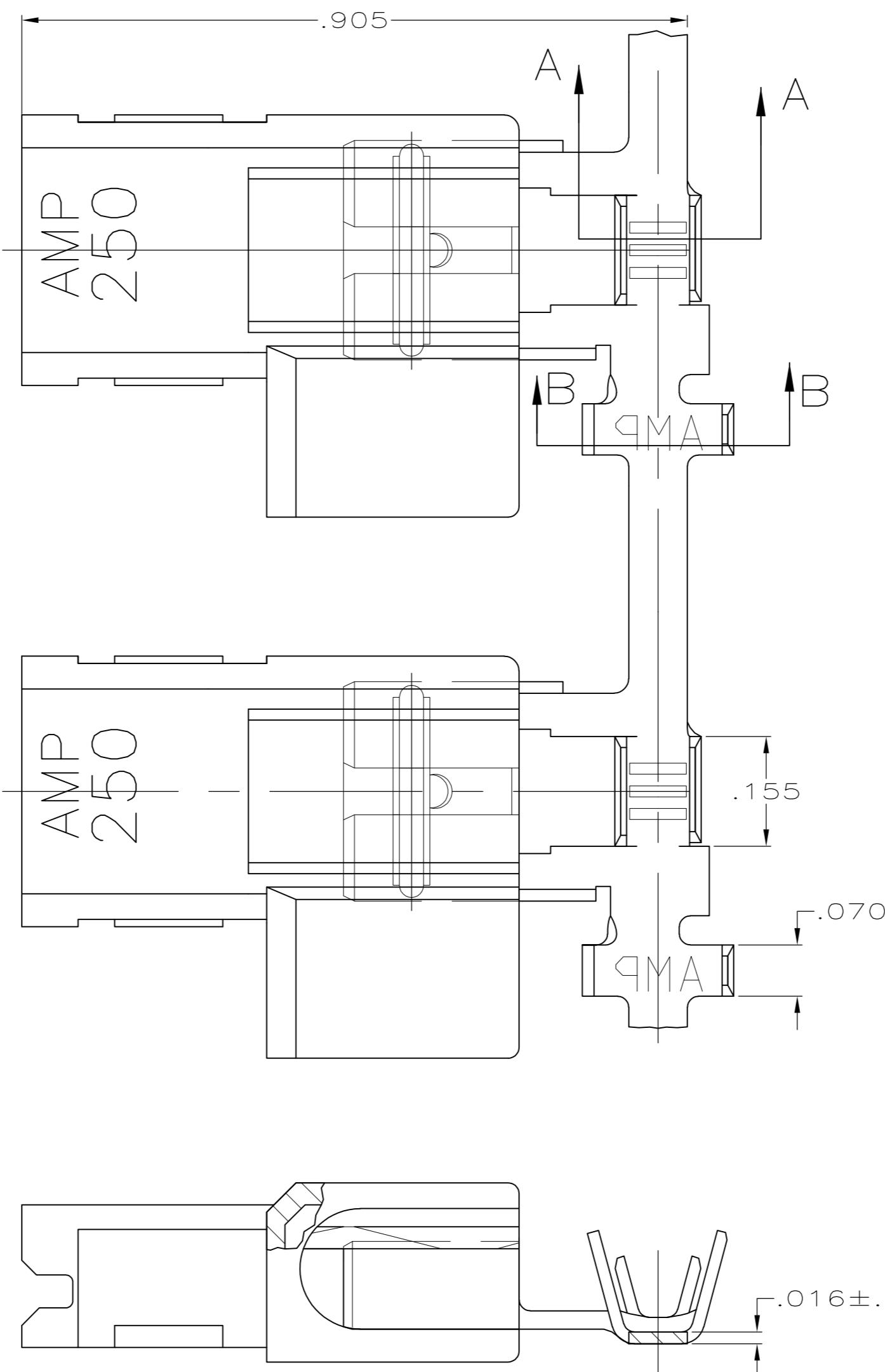
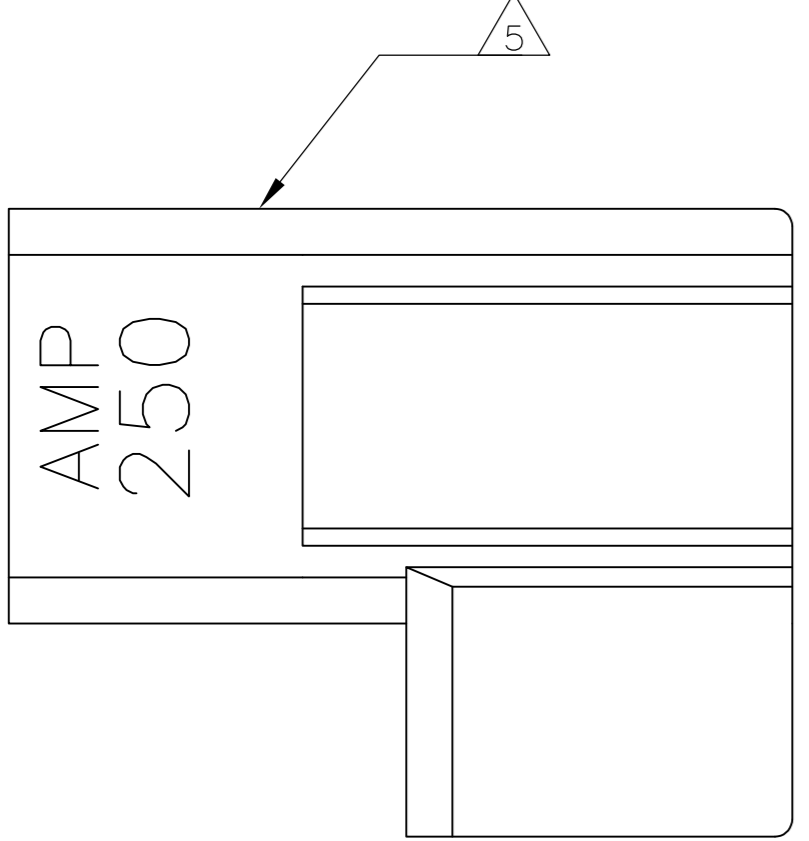
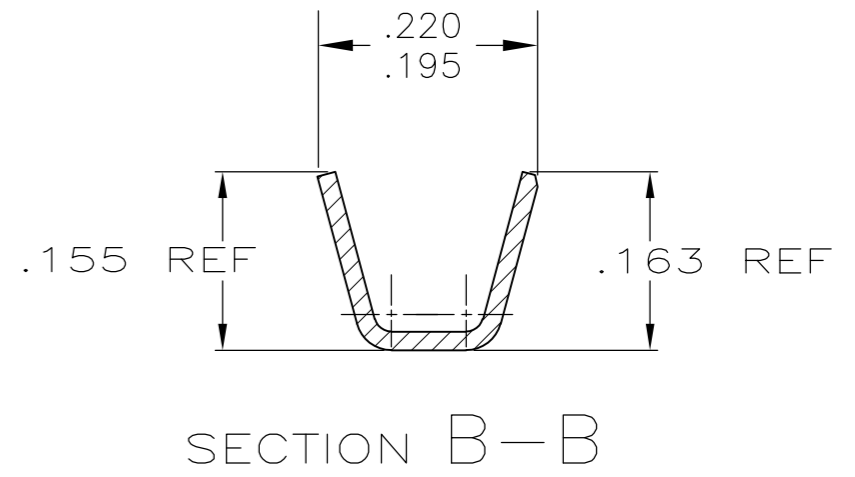
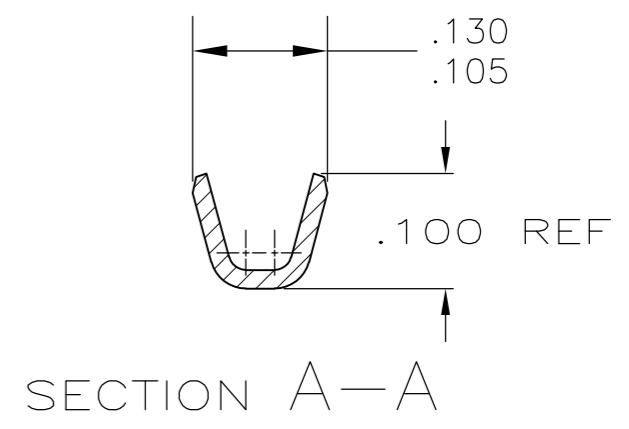


THIS DRAWING IS UNPUBLISHED. RELEASED FOR PUBLICATION
 © COPYRIGHT - By - ALL RIGHTS RESERVED.

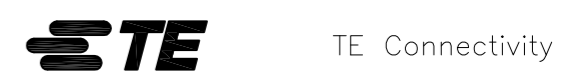
LOC	DIST	REVISIONS			
P	LTR	DESCRIPTION	DATE	DWN	APVD
AF	50	H2	REVISED PER ECR-12-013219	08JAN13	KH KR



- 1 USE BUDGET FLAG FASTON TERMINAL BASE P/N 521049, IN THIS PRODUCT.
- 2 WIRE SIZE IS #22-#18 AWG
- 3 INSULATION RANGE IS .050-.100 DIA
- 4 FITS .250 X .032 THK FASTON TAB
- 5 ALTERNATIVE HOUSING FORM



6/6 NYLON / NATURAL	BRASS - TIN PLATED	521050-2
6/6 NYLON / NATURAL	BRASS - PLAIN	521050-1
HOUSING - MATERIAL & FINISH	TERMINAL - MATERIAL & FINISH	PART NO
THIS DRAWING IS A CONTROLLED DOCUMENT.		DWN 7/8/93 JR RUTH
DIMENSIONS: INCHES		CHK 7/8/93 MS FEHER
TOLERANCES UNLESS OTHERWISE SPECIFIED:		APVD 7/8/93 D BRATINA
0 PLC ± -	1 PLC ± -	PRODUCT SPEC
2 PLC ± -	3 PLC ± 0.25 [.010]	108-1285
4 PLC ± -	ANGLES ± -	APPLICATION SPEC
FINISH	FINISH	114-2124
SEE TABLE	SEE TABLE	WEIGHT -
CUSTOMER DRAWING		SCALE 6:1
SHEET 1 of 1		REV H2



ASSEMBLY, RECEPTACLE, FLAG, ULTRA-POD, .250 SERIES

单击下面可查看定价，库存，交付和生命周期等信息

[>>TE Connectivity\(泰科\)](#)