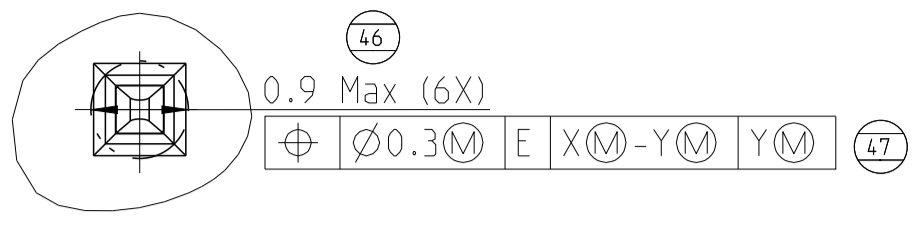
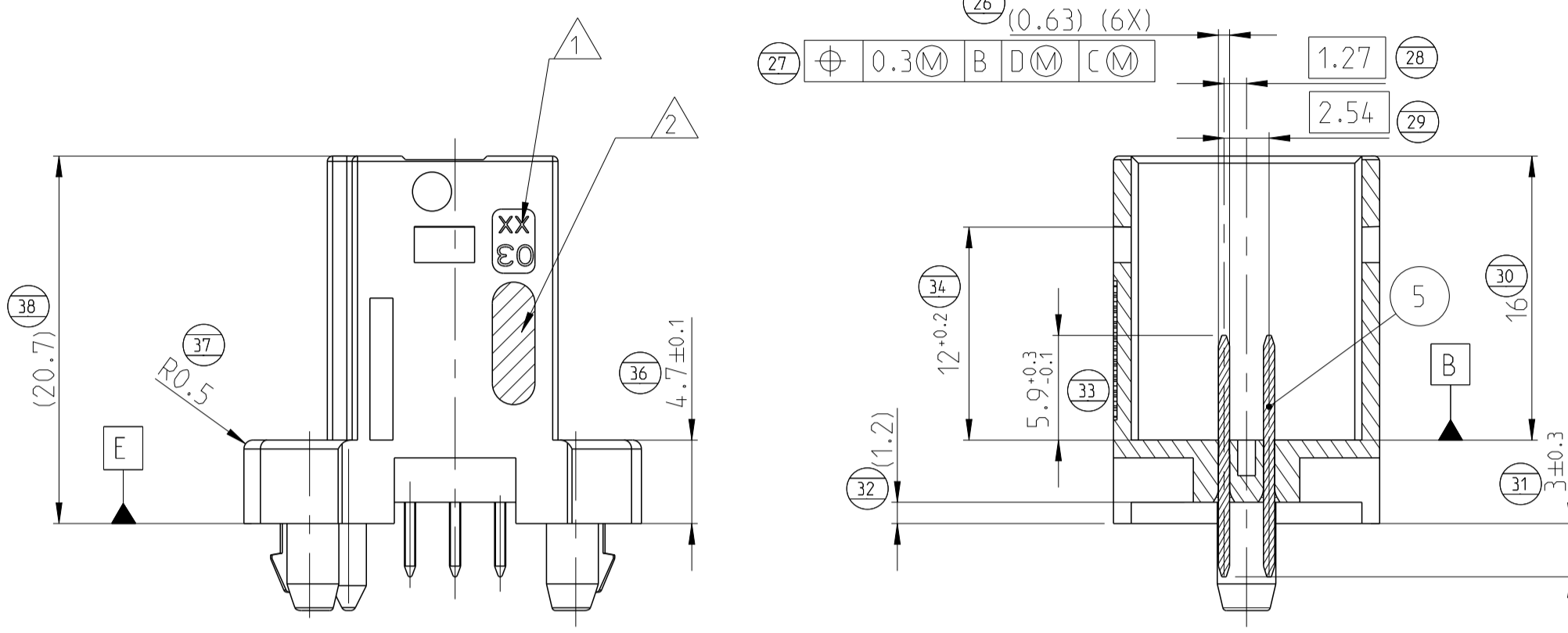


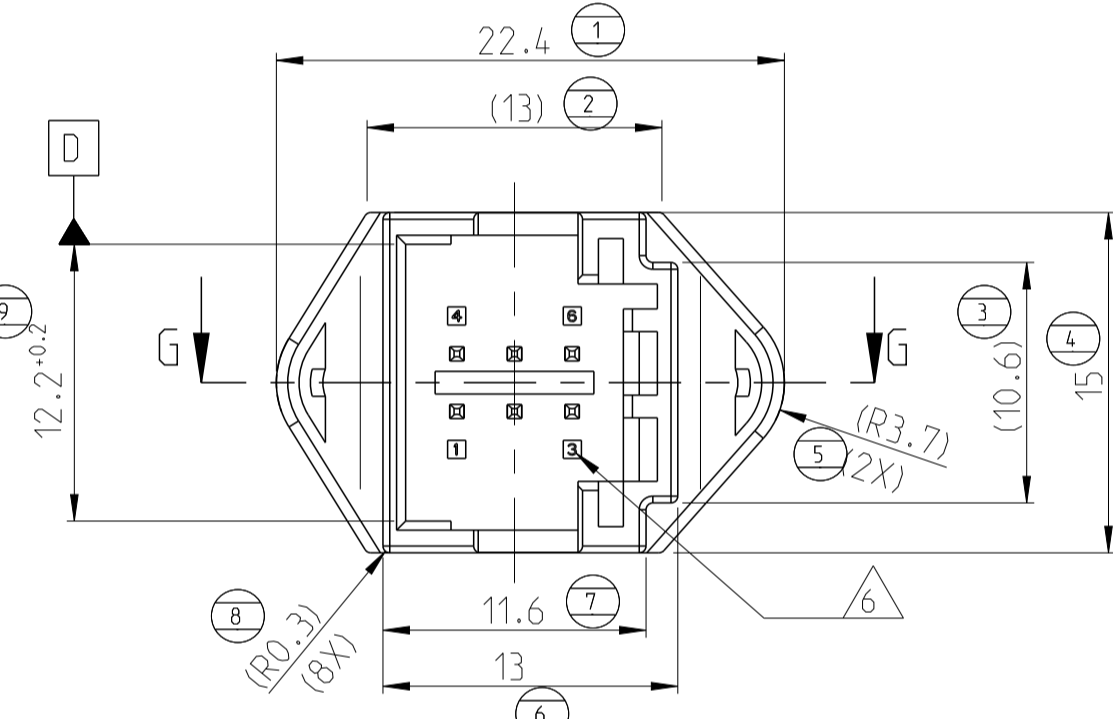
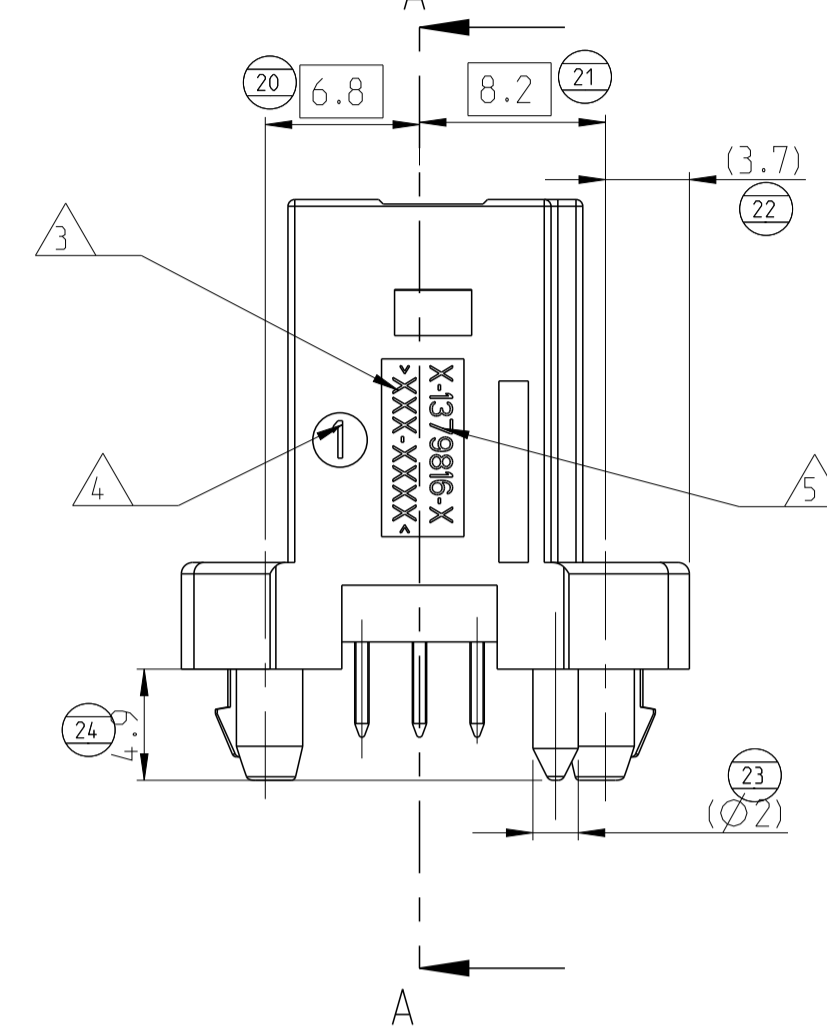
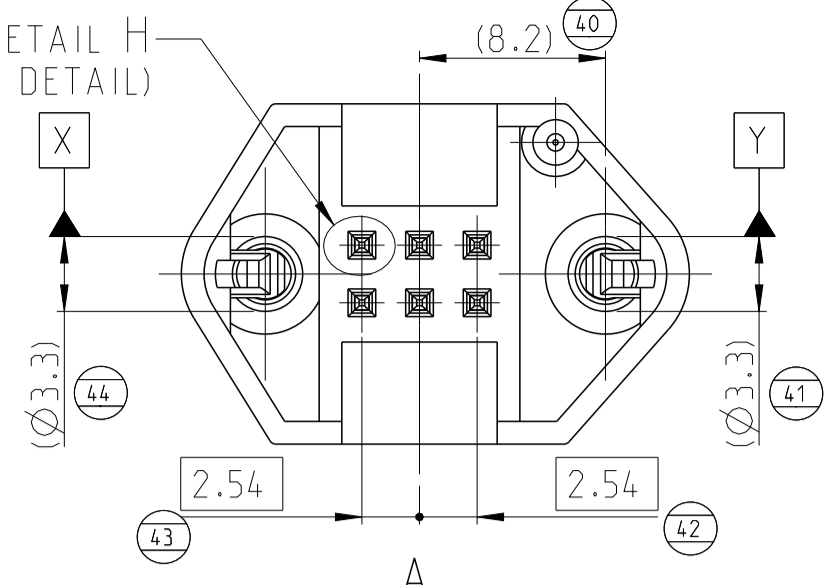
DETAIL H  
SCALE (ECH.)10:1



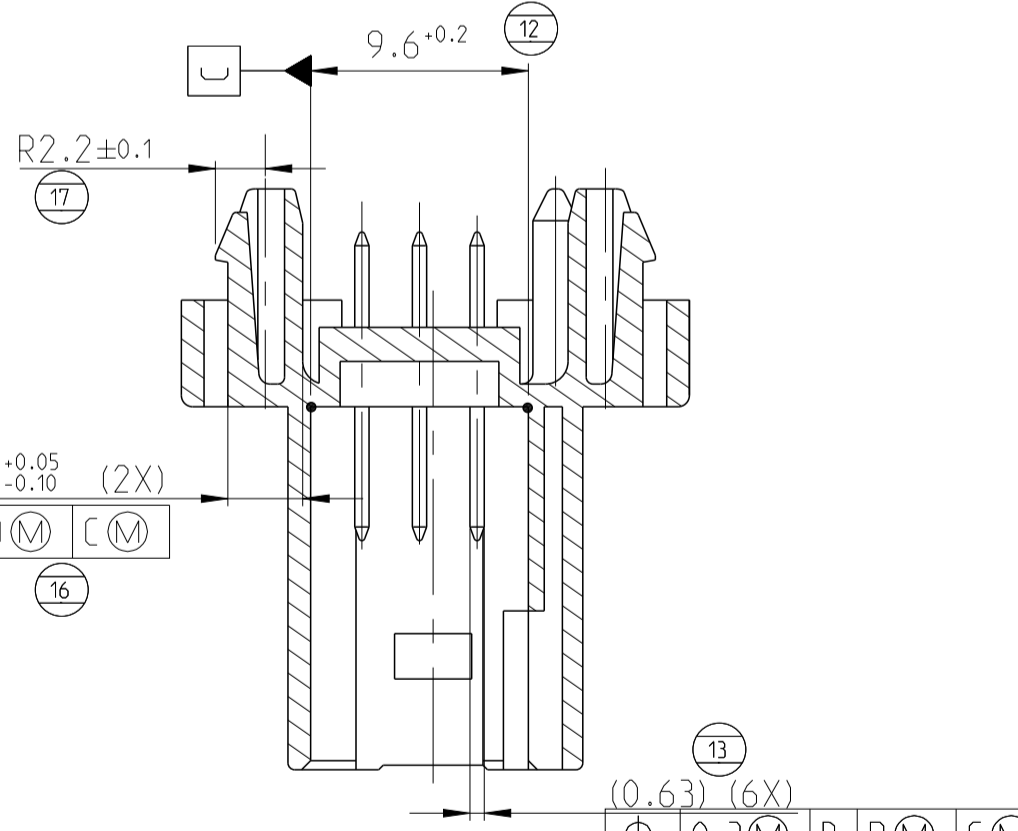
SECTION A-A  
(COUPE)



SEE DETAIL H  
(VOIR DETAIL)



1379816-1



SECTION G-G  
(COUPE)

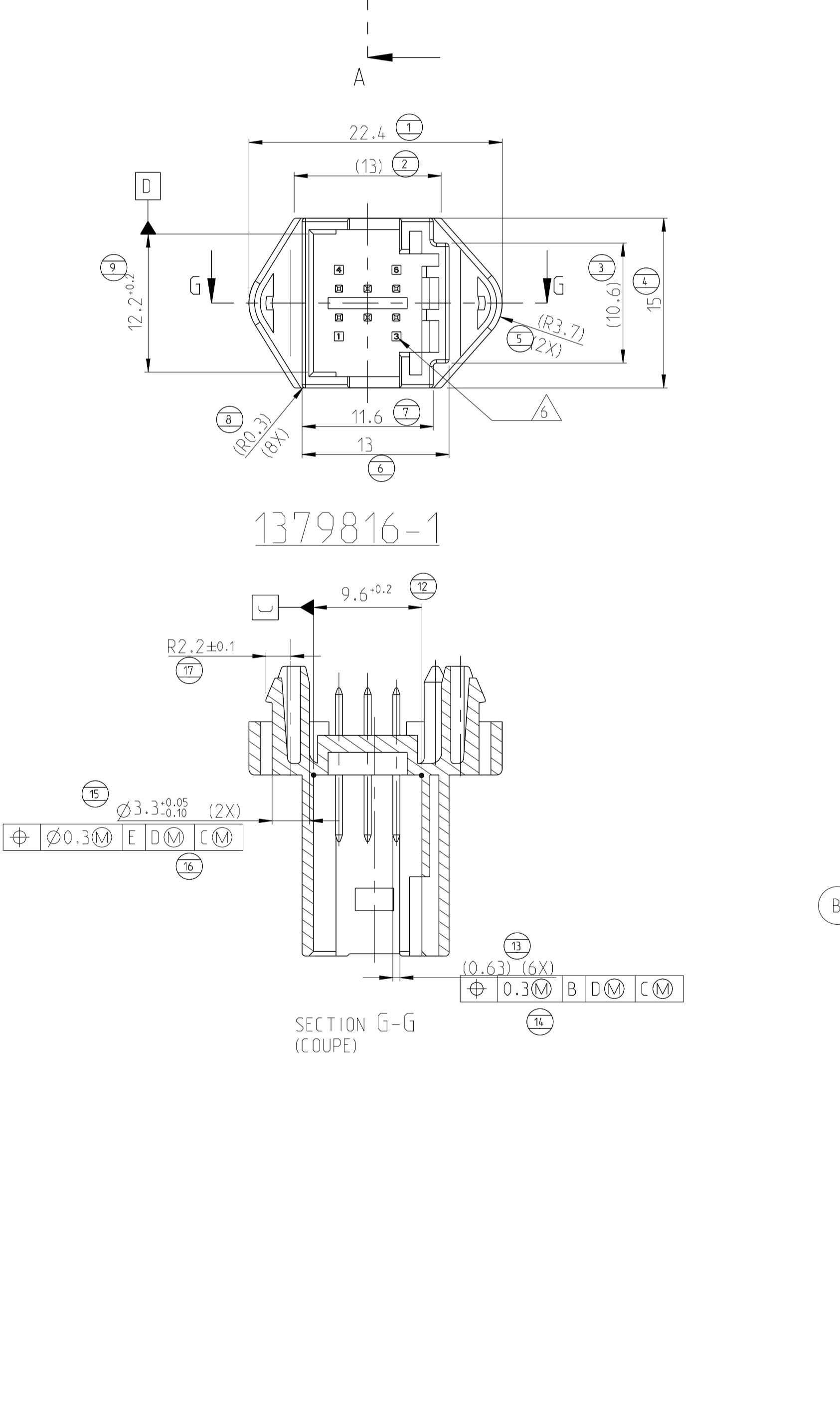
NOTES :

- 50 1 PRODUCTION DATE OF PLASTIC PART  
DATE DE PRODUCTION DU BOITIER PLASTIQUE
- 51 2 TE LOGO  
LOGO DE TE
- 52 3 MATERIAL REFERENCE : SEE THE TABLE  
REFERENCE MATIERE : VOIR TABLEAU
- 53 4 MOLD CAVITY MARKING  
MARQUAGE D'EMPREINTE DU MOULE
- 54 5 ASSEMBLY TE PART NUMBER  
REFERENCE DE TE PRODUIT ASSEMBLE
- 55 6 CAVITY MARKING  
MARQUAGE DES ALVEOLES
- 7 DIMENSION IN BRACKETS FOR INFORMATION ONLY.  
COTE ENTRE PARENTHESES POUR INFORMATION UNIQUEMENT

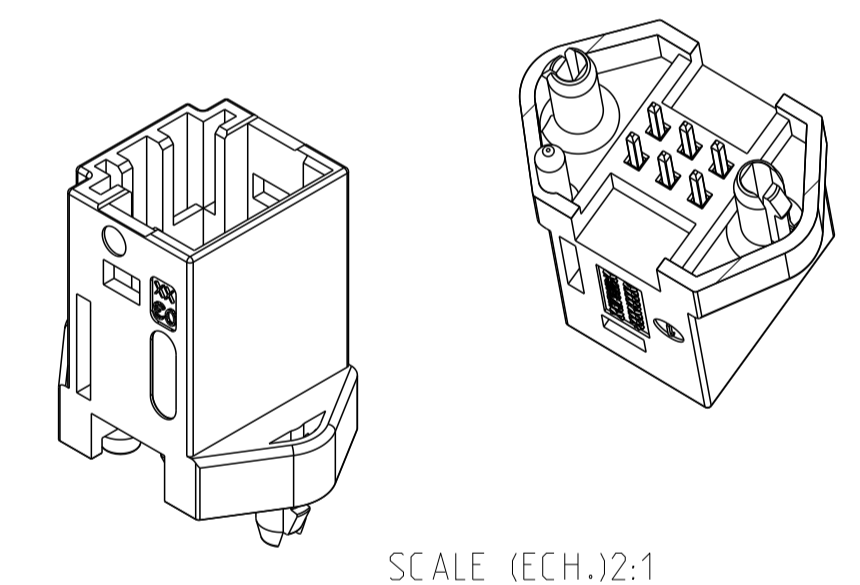
INFLAMMABILITE  
FLAMABILITY

REVISIONS				
P	LTN	DESCRIPTION	DATE	APPV
A		NEW DRAWING	18AUG2014	MN J.L.
B		ADDED NEW P/N 2-1379816-4	23JUN2015	NT, N J. L.

ASS'Y P/N (REF. ASSEMBLEE)	CODING / SCALE 2:1 (DETROMPAGE / ECH.2:1)	RECOMMENDED PCB LAYOUT (RECOMMANDATION IMPLANTATION C1) VIEW FROM TOP / VUE DE DESSUS PCB THICKNESS / EPAISSEUR C1 = 1.6±10%
2-1379816-4  BROWN (MARRON)  1379816-4 & 1-1379816-4		
1379816-3 & 1-1379816-3 GREEN (VERT)		
1379816-1 & 1-1379816-1 BLACK (NOIR)		



ASS'Y P/N REF. ASSEMBLEE	QTY (QTE)	FINITION	MATERIAL (MATIERE)	DESIGNATION	ITEM
1379816-1	6	PRE-TINNED (PRE-ETAME) 2.5 TO 5µm OVER NICKEL (2.5 A 5µm SUR SOUS COUCHE NICKEL)	CuSn6	PIN (BROCHE) MQS 0.63 X 0.63	5
1379816-3	6	BROWN (MARRON)	PCT GF30 (UL94 VO)	HOUSING 6W MQS (BOITIER 6V MQS)	4
1379816-4	6	BROWN (MARRON)	PCT GF30		4
1-1379816-1	6	GREEN (VERT)	PCT GF30		3
1-1379816-3	6	BLACK (NOIR)	PCT GF30 (UL94 VO)		1
1-1379816-4	6	BROWN (MARRON)	SPS GF20		4
2-1379816-4	6	GREEN (VERT)	SPS GF20		3
2-1379816-4	6	BLACK (NOIR)	SPS GF20		1



SCALE (ECH.)2:1

THIS DRAWING IS A CONTROLLED DOCUMENT. LE PLAN EST UN DOCUMENT CONTROLÉ PAR TPC ELECTRONICS. IL EST SOUS LE SEUL POUVOIR DE TPC ELECTRONICS. POUR OBTENIR LA DERNIERE VERSION.

OWNER: MADHUSUDHAN RICHARLES  
CHK: RICHARLES  
DATE: 18AUG2014

APVD APPROVE: J.L. ALLANGE  
DATE: 18AUG2014

PRODUCT SPEC: 108-15329  
APPLICATION SPEC: -

SIZE: A1  
CAGE CODE: 00779  
DRAWING NO: 1379816  
SHEET: 1 OF 1

Customer Drawing / PLAN CLIENT

UNIDUMENT FOUR REFERENCE: 3:1

RESTRICTED TO RESERVE A

单击下面可查看定价，库存，交付和生命周期等信息

[>>TE Connectivity\(泰科\)](#)