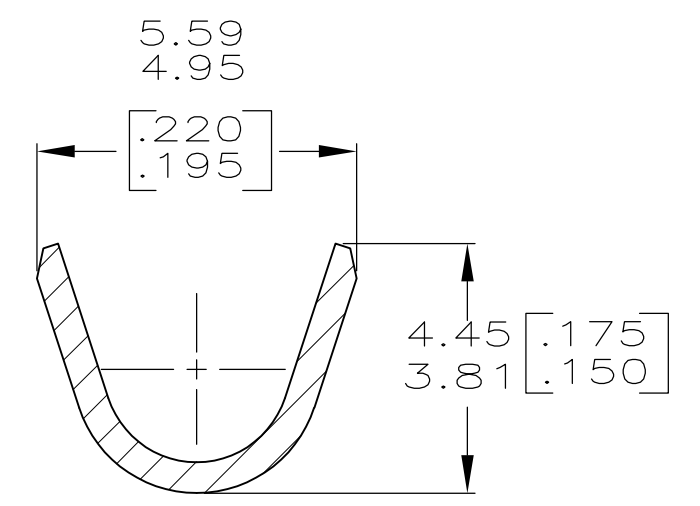
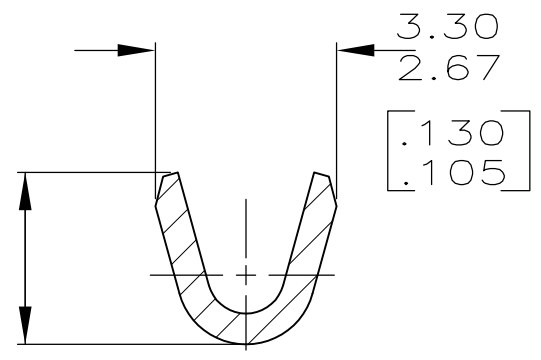
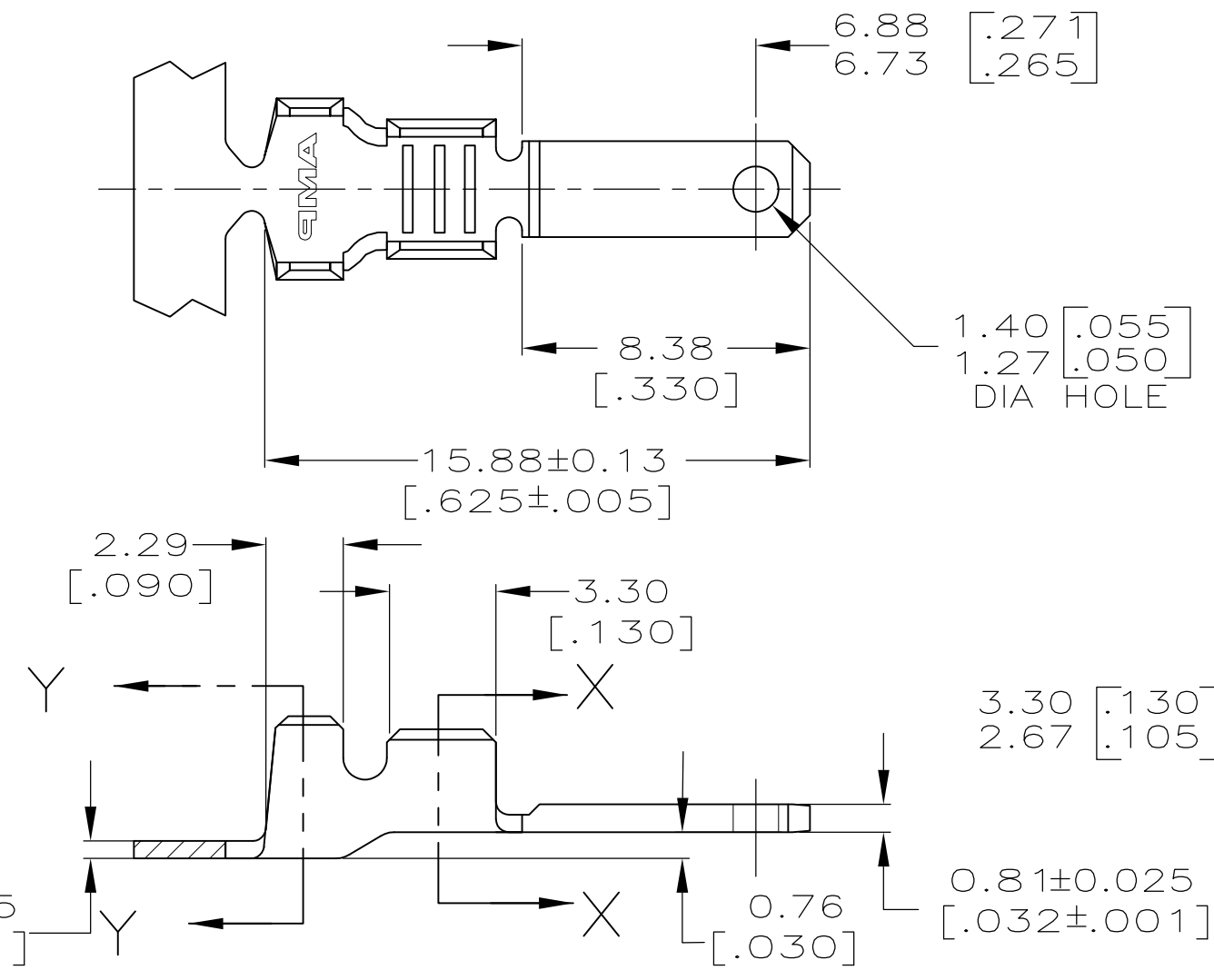


THIS DRAWING IS UNPUBLISHED. RELEASED FOR PUBLICATION
 © COPYRIGHT - By - ALL RIGHTS RESERVED.

LOC	DIST	REVISIONS			
P	LTR	DESCRIPTION	DATE	DWN	APVD
AF	50				
		K REVISED PER ECR-13-011489	04DEC2013	KH	PD

- CONTINUOUS STRIP ON REELS.
- WIRE SIZE IS [22-18] AWG.
- INSULATION RANGE IS 1.78-3.30 [.070-.130] DIA.



PLAIN	63138-2
TIN	63138-1
FINISH	PART NO

THIS DRAWING IS A CONTROLLED DOCUMENT.		DWN	JR RUTH	3/21/95	STE TE Connectivity		
DIMENSIONS: mm [INCHES]		CHK	MS FEHER	3/21/95			
TOLERANCES UNLESS OTHERWISE SPECIFIED:		APVD	J HUZVAR	3/21/95	SIZE A3		
0 PLC ± -		PRODUCT SPEC	-				
1 PLC ± -		APPLICATION SPEC	-		RESTRICTED TO	-	
2 PLC ± 0.38 [.015]		WEIGHT	-		SCALE	5:1	SHEET 1 OF 1
3 PLC ± -		CUSTOMER DRAWING	-		REV	K	
4 PLC ± -							
ANGLES ± -							
MATERIAL	BRASS	FINISH	SEE TABLE				

单击下面可查看定价，库存，交付和生命周期等信息

[>>TE Connectivity\(泰科\)](#)