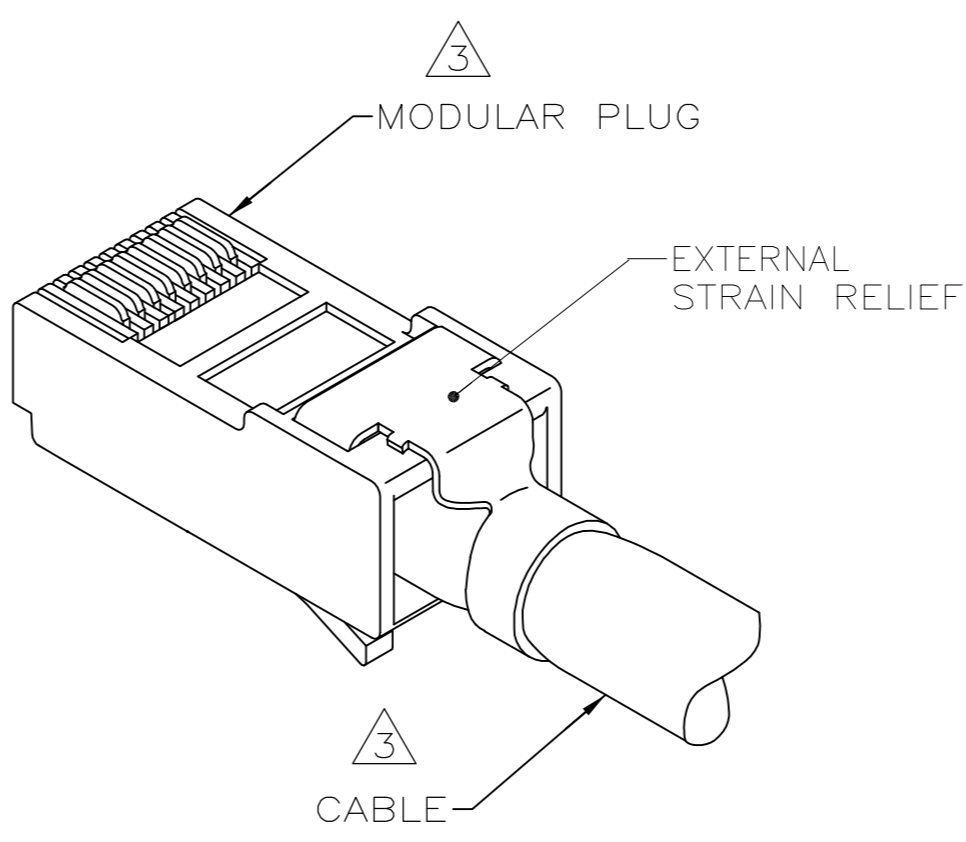
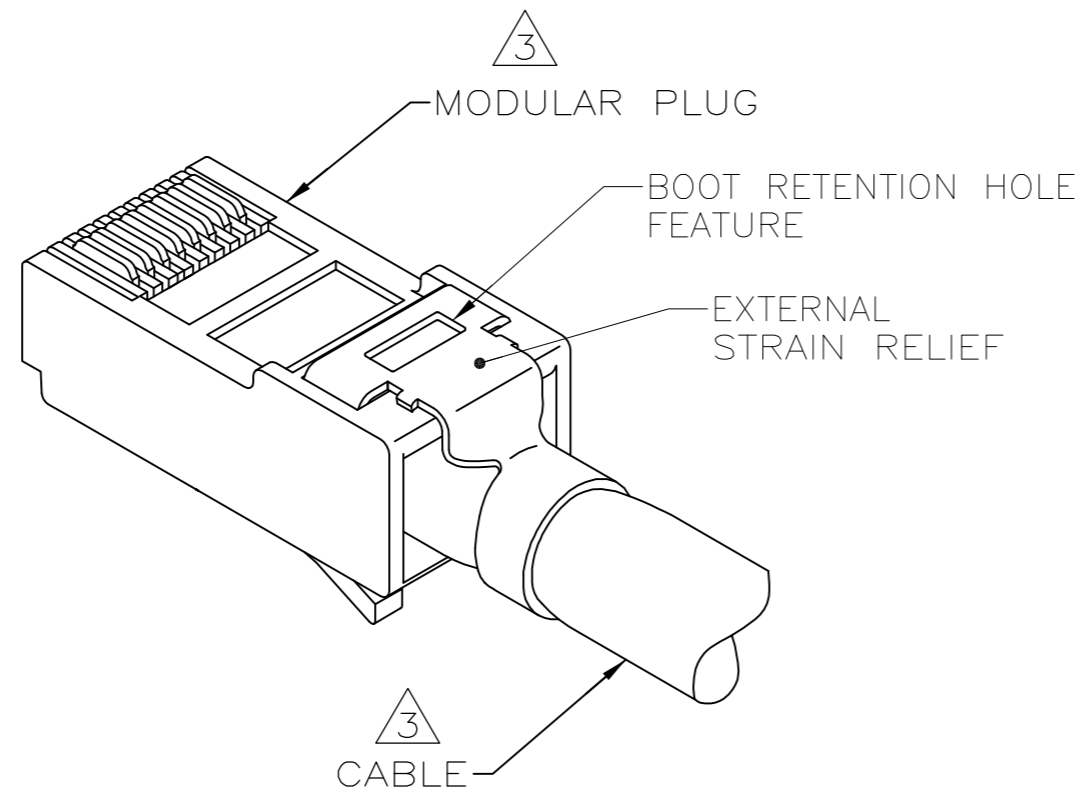


THIS DRAWING IS UNPUBLISHED. RELEASED FOR PUBLICATION
 © COPYRIGHT - By - ALL RIGHTS RESERVED.

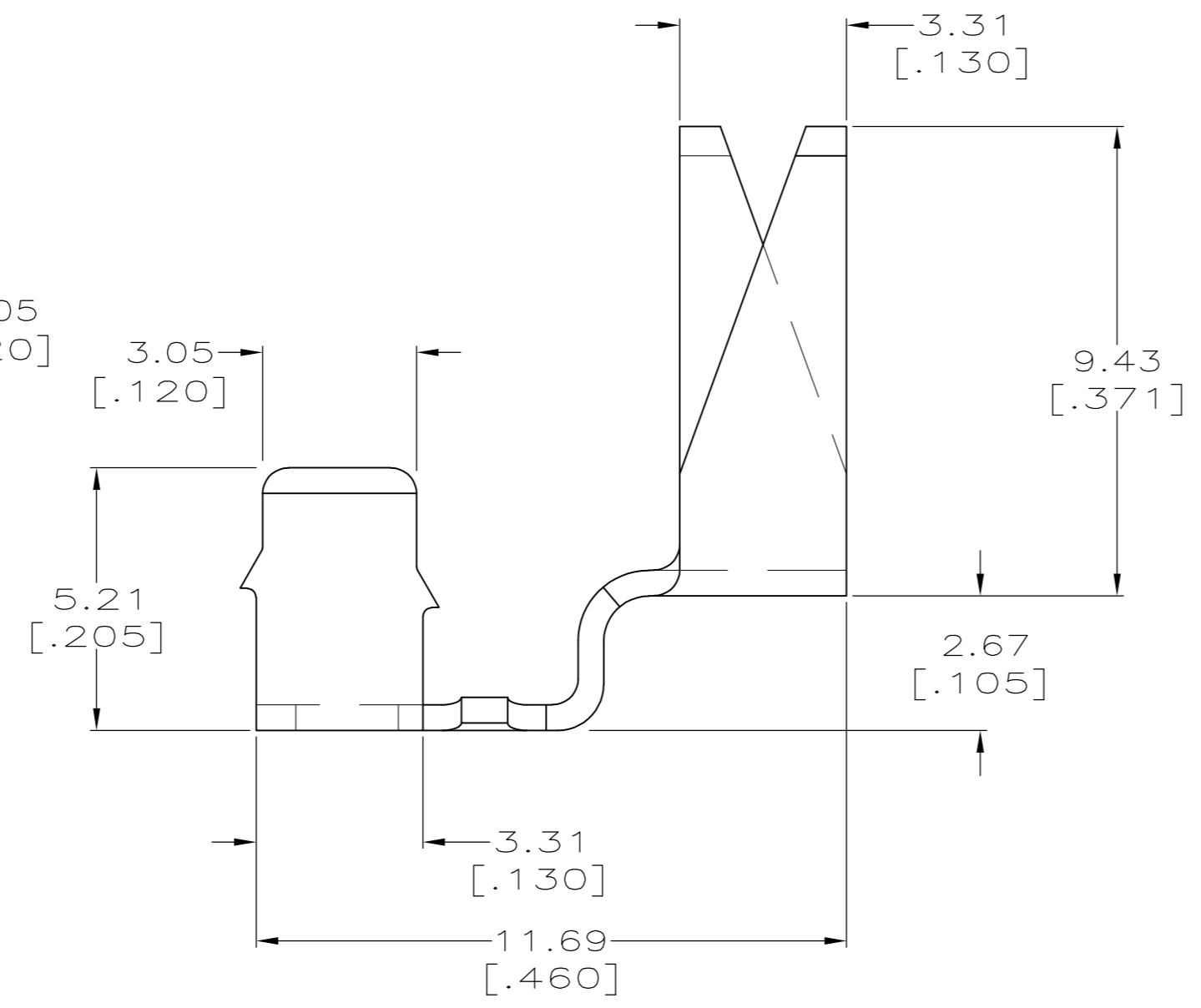
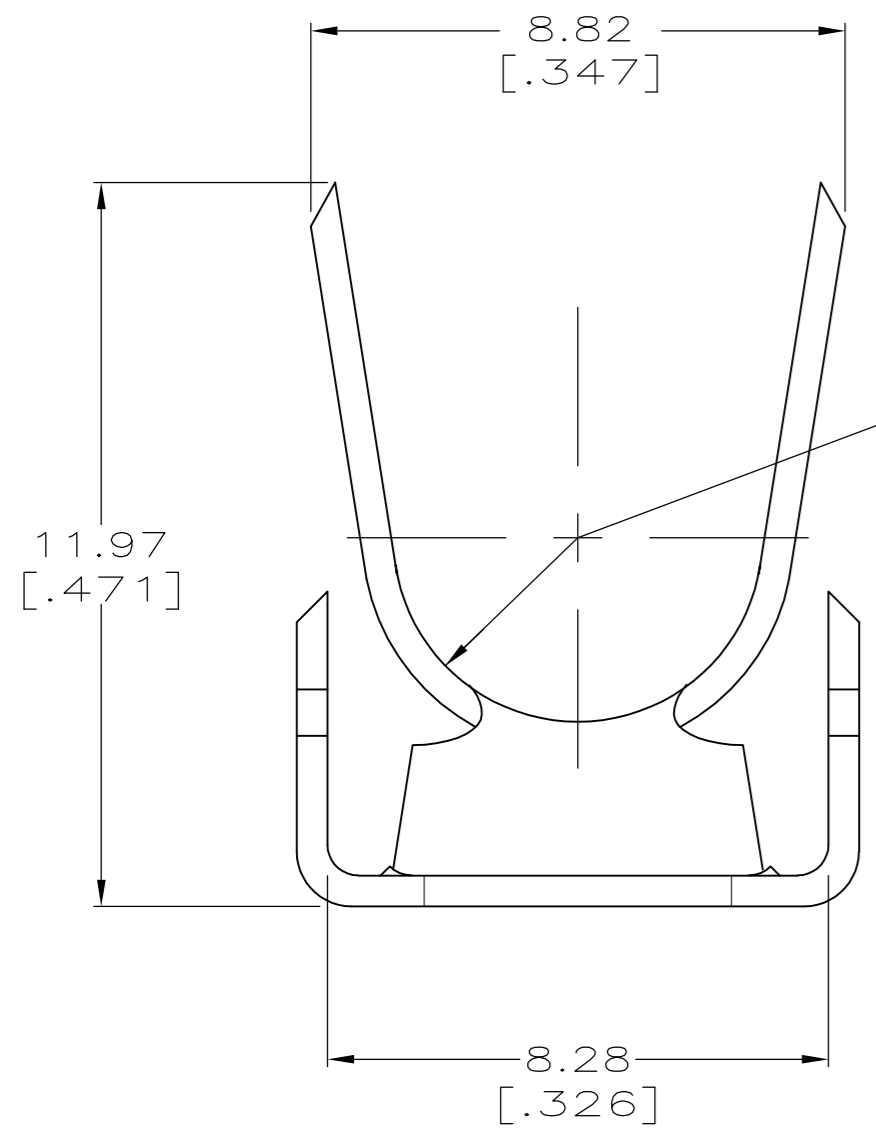
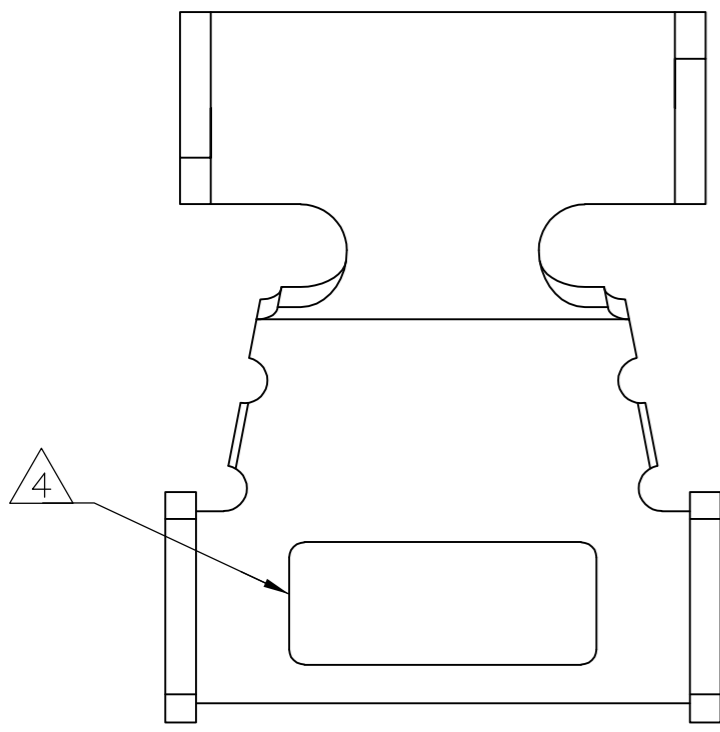
LOC	DIST	REVISIONS					
AA	22	P	LTR	DESCRIPTION	DATE	DWN	APVD
		D1		REVISED PER ECO-11-005140	28MAR11	RK	HMR



VIEW OF A PROPERLY APPLIED 558527-3

VIEW OF A PROPERLY APPLIED 558527-1

- ⚠ ALL DIMENSIONS ARE MAXIMUM UNLESS OTHERWISE SPECIFIED.
- ⚠ MATERIAL: BRIGHT PURE TIN PLATED BRASS.
- ⚠ MODULAR PLUG AND CABLE FURNISHED BY CUSTOMER.
- ⚠ 558527-3 HAS A 2.03 x 5.08 [.080 x .200] RECTANGULAR HOLE FOR RETENTION OF AMP MODULAR PLUG BOOT.
- 5. THESE EXTERNAL STRAIN RELIEF ACCESSORIES CAN BE UTILIZED ON ANY AMP BRAND 8 POSITION OR 10 POSITION MODULAR PLUG AS SHOWN.



LEAD FREE

⚠	558527-3
WITHOUT HOLE	558527-1
DESCRIPTION	PART NO.

THIS DRAWING IS A CONTROLLED DOCUMENT.		DWN	G. GARRETT	9-20-95		TE Connectivity		
DIMENSIONS: mm [INCHES]		CHK	C. WHITT	10-5-95		NAME		
TOLERANCES UNLESS OTHERWISE SPECIFIED:		APVD	E. LAURER	10-12-95		STRAIN RELIEF, EXTERNAL, MODULAR PLUG, 8 OR 10 POSITION		
0 PLC ± - 1 PLC ± - 2 PLC ± - 3 PLC ± - 4 PLC ± - ANGLES ± -		PRODUCT SPEC	N/A	APPLICATION SPEC		SIZE	CAGE CODE	DRAWING NO
MATERIAL		WEIGHT	.615 grams		A2	00779	C=558527	
FINISH		CUSTOMER DRAWING		SCALE	8:1	SHEET	1 of 1	
				REV	D1			

- 558527

单击下面可查看定价，库存，交付和生命周期等信息

[>>TE Connectivity\(泰科\)](#)