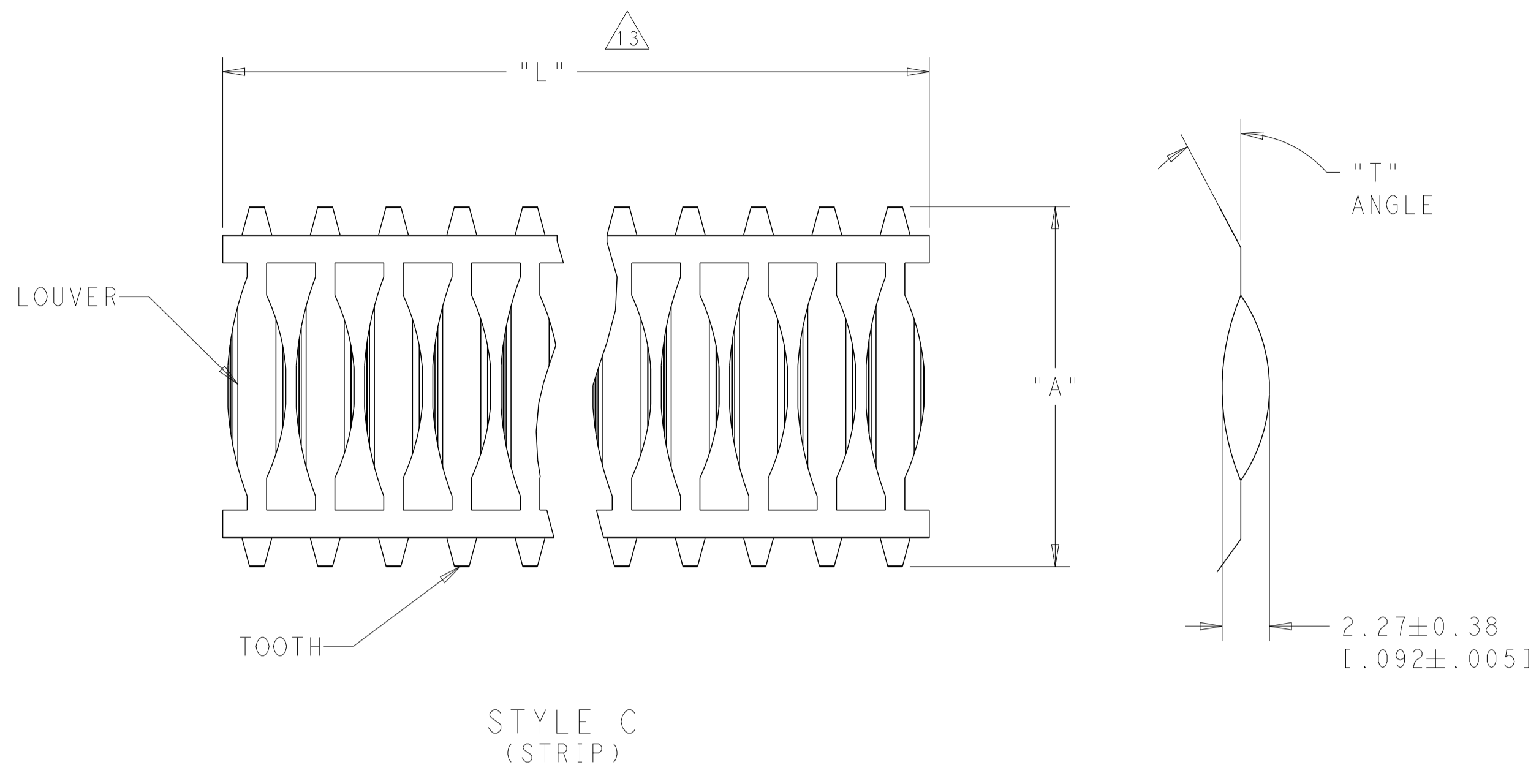
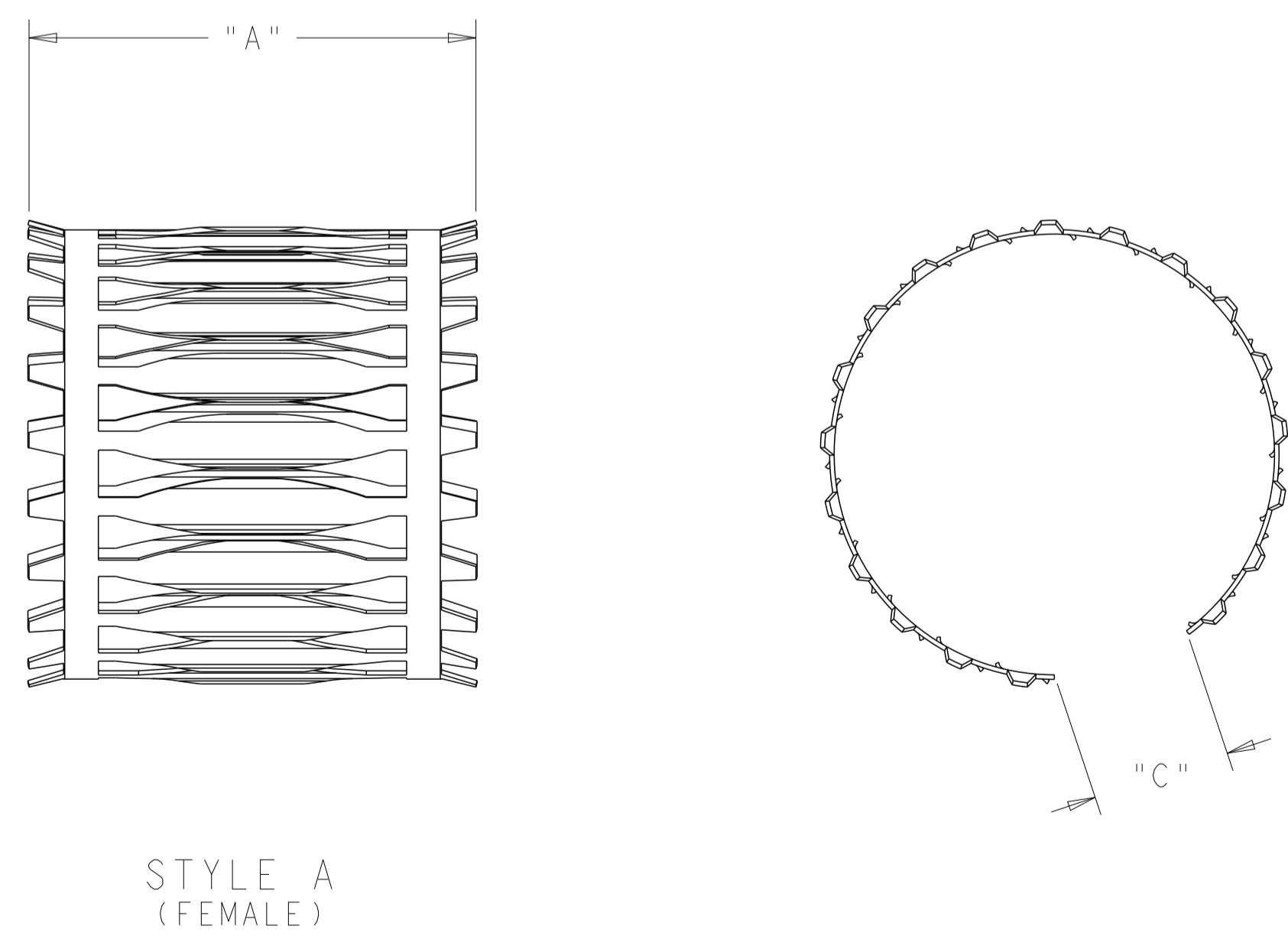


| REVISIONS | | | | |
|-----------|-----|-----------------------|-----------|-------|
| P | LTN | DESCRIPTION | DATE | APP'D |
| L | | REV PER ECO-10-018478 | 15SEP2010 | RG DO |
| M | | REV PER ECO-17-013721 | 21DEC2017 | RS MZ |



1. FINISH - SILVER PLATE 500μINCHES MIN THK.
2. FINISH - NICKEL PLATE 40μINCHES MIN THK
3. FINISH - GOLD PLATE 10μINCHES MIN THK.
- 4 LENGTH TO BE 7.6 INCHES
- 5 LENGTH TO BE 10.8 INCHES
6. PLATING NOTES ARE TO BE INTERPRETED AS FOLLOWS: 1-2 AS 1 OVER 2.
- 7 PRODUCT SOLD BY THE FOOT.
- 8 LENGTH 9.2 INCHES
- 9 LENGTH 8.0 INCHES
- 10 LENGTH 11.9 INCHES
- 11 PACKAGED 18 PCS PER BAG
- 12 DIMENSION "C" TO BE 6.0 INCHES MIN
- 13 PITCH: FIVE (5) LOUVERS PER INCH (NOMINAL)
- 14 LENGTH 5.438 INCHES REF 28 LOUVERS
- 15.FINISH - SILVER PLATE 200μINCHES MIN THK.
- 16 PRELIMINARY PART NUMBER
- 17 OBSOLETE PARTS: OBSOLETE CIS STREAMLINING PER D.RENAUD/D.SINISI
- 18 LENGTH 12.0 INCHES REFERENCE 62 LOUVERS
- 19 SPECIAL PACKAGING



| STYLE | WIDTH A | NUMBER OF LOUVER | PLATING (NOTE NO) | TOOTH ANGLE | MAT'L THK | HUGIN PN | PART NUMBER |
|----------|---------|------------------|-------------------|-------------|-----------|--------------|------------------|
| OBSOLETE | C | 25.91 [1.02] | 18 | 1-2 | 15 | 0.15 [0.008] | -- 2-192000-3 |
| OBSOLETE | C | 25.91 [1.02] | 14 | 17-2 | 15 | 0.25 [0.010] | -- 2-192000-2 |
| OBSOLETE | A | 25.02 [0.98] | 10 | UNPLATED | 45 | 0.25 [0.010] | -- 2-192000-1 |
| OBSOLETE | A | 25.02 [0.98] | 9 | UNPLATED | 45 | 0.25 [0.010] | -- 2-192000-0 |
| OBSOLETE | A | 25.02 [0.98] | 8 | 1-2 | 45 | 0.25 [0.010] | -- 1-192000-9 |
| OBSOLETE | A | 25.02 [0.98] | 8 | UNPLATED | 45 | 0.25 [0.010] | -- 1-192000-8 |
| OBSOLETE | A | 25.02 [0.98] | 5 | 1-2 | 45 | 0.25 [0.010] | -- 1-192000-7 |
| OBSOLETE | A | 25.02 [0.98] | 4 | 1-2 | 45 | 0.25 [0.010] | -- 1-192000-6 |
| OBSOLETE | A | 25.02 [0.98] | 5 | UNPLATED | 45 | 0.25 [0.010] | -- 1-192000-5 |
| OBSOLETE | A | 25.02 [0.98] | 4 | UNPLATED | 45 | 0.25 [0.010] | -- 1-192000-4 |
| OBSOLETE | | | | | | | 1-192000-3 |
| OBSOLETE | | | | | | | 1-192000-2 |
| OBSOLETE | C | 25.02 [0.98] | 7 | 1-2 | 45 | 0.25 [0.010] | 00009 1-192000-1 |
| OBSOLETE | C | 25.02 [0.98] | 7 | UNPLATED | 45 | 0.25 [0.010] | 00012 1-192000-0 |
| OBSOLETE | C | 25.91 [1.02] | 7 | 1-2 | 15 | 0.25 [0.010] | 00006 192000-9 |
| OBSOLETE | C | 25.91 [1.02] | 7 | UNPLATED | 15 | 0.25 [0.010] | 00015 192000-8 |
| OBSOLETE | | | | | | | 192000-7 |
| OBSOLETE | | | | | | | 192000-6 |
| OBSOLETE | C | 25.02 [0.98] | 7 | 1-2 | 45 | 0.15 [0.006] | 00018 192000-5 |
| OBSOLETE | C | 25.02 [0.98] | 7 | UNPLATED | 45 | 0.15 [0.006] | 00017 192000-4 |
| OBSOLETE | C | 25.91 [1.02] | 7 | 3-2 | 15 | 0.15 [0.006] | 00021 192000-3 |
| OBSOLETE | C | 25.91 [1.02] | 7 | 1-2 | 15 | 0.15 [0.006] | 00002 192000-2 |
| OBSOLETE | C | 25.91 [1.02] | 7 | UNPLATED | 15 | 0.15 [0.006] | 00001 192000-1 |

THIS DRAWING IS A CONTROLLED DOCUMENT. DWG: TURNER/GRZYBOWSKI, CHK: D. ORRIS, APP'D: GLASER/ORRIS, 15SEP2010

TE Connectivity

CONTACT BAND FEMALE

SCALE 3:1 SHEET 1 OF 1 REV M

单击下面可查看定价，库存，交付和生命周期等信息

[>>TE Connectivity\(泰科\)](#)