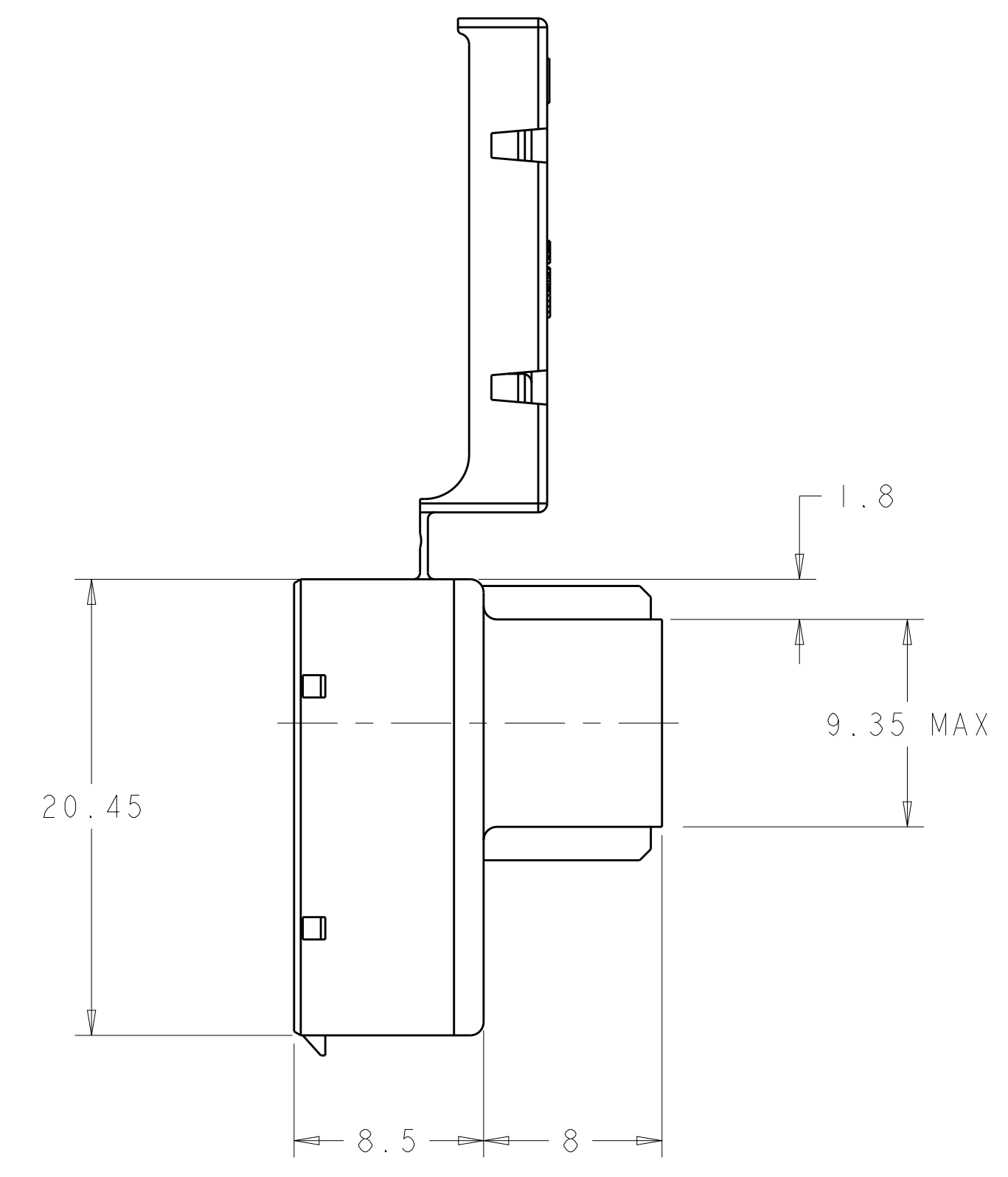
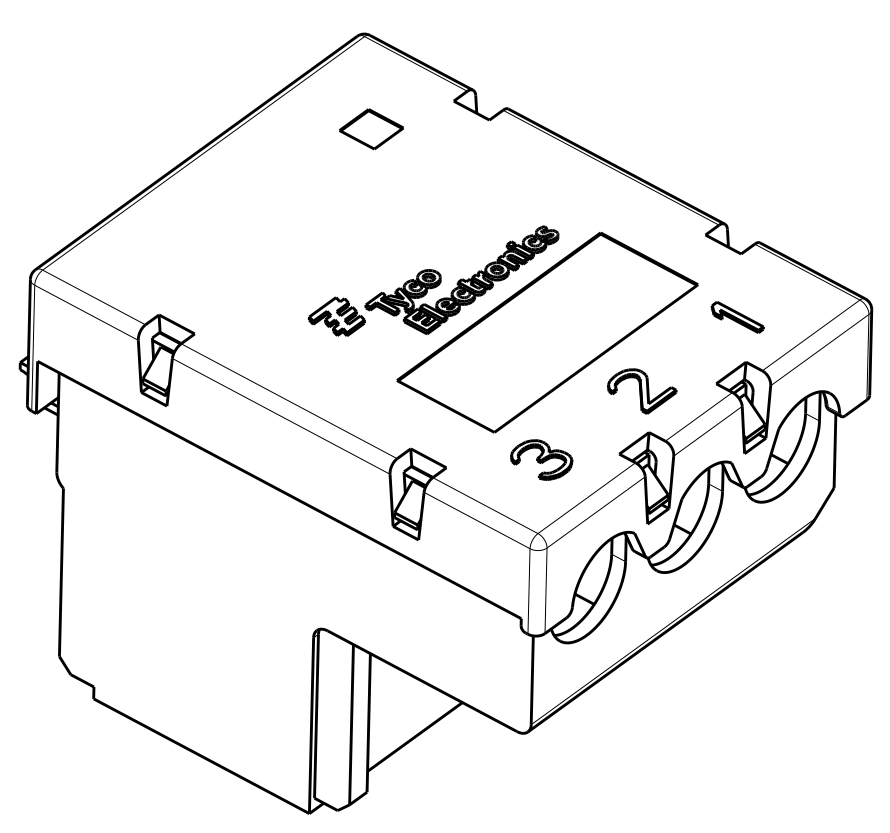
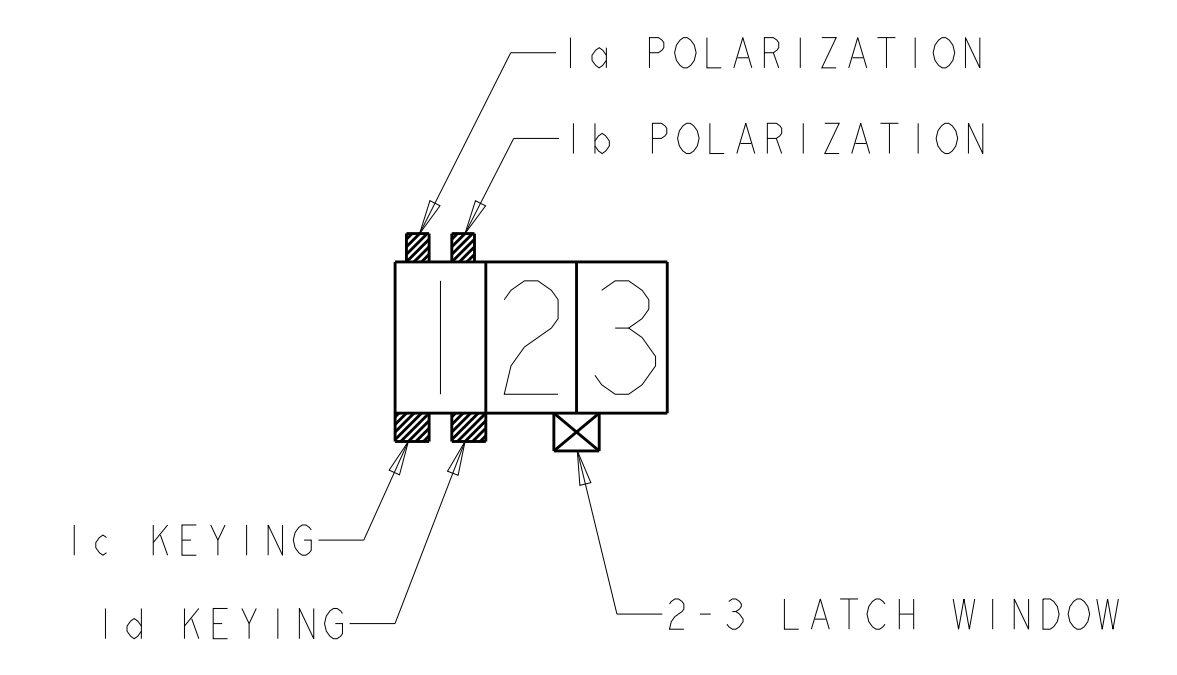
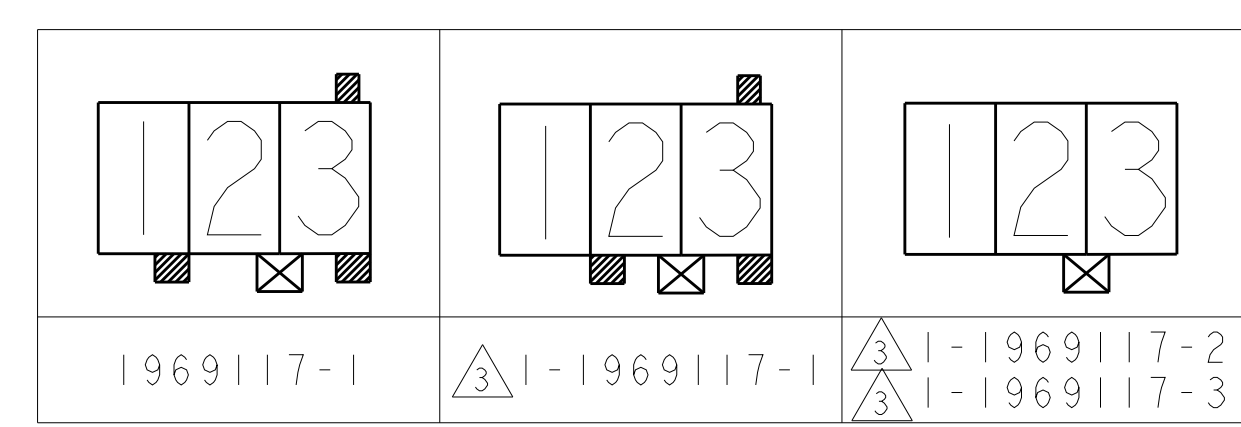
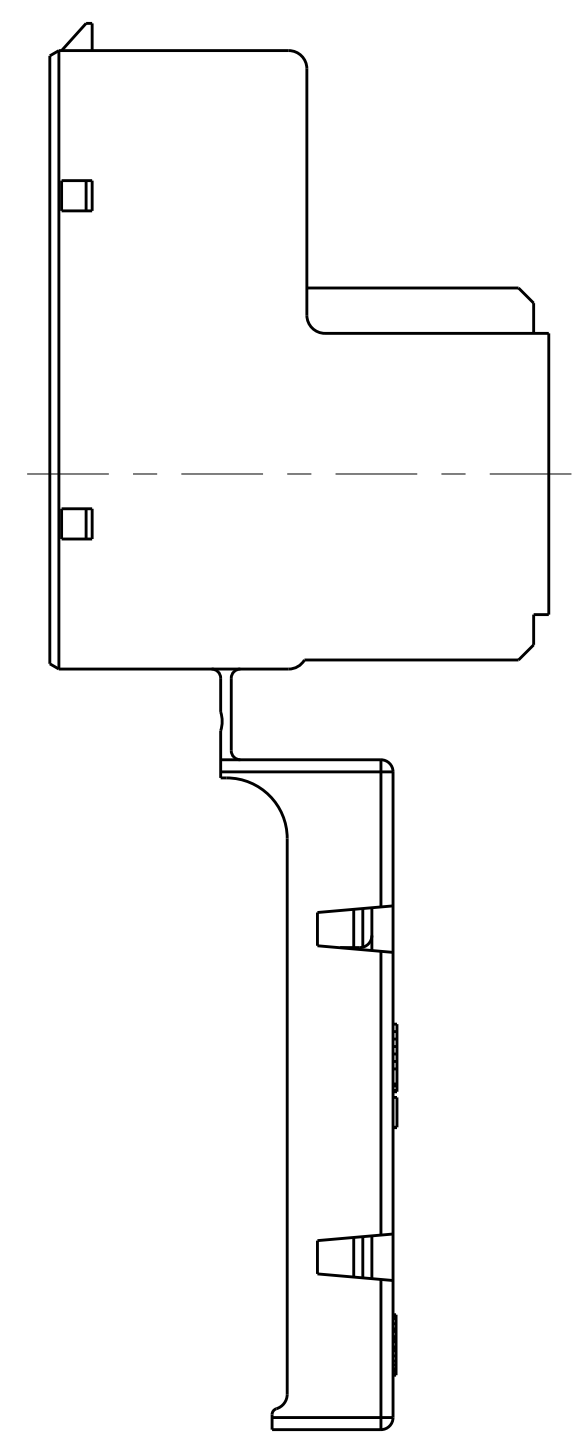
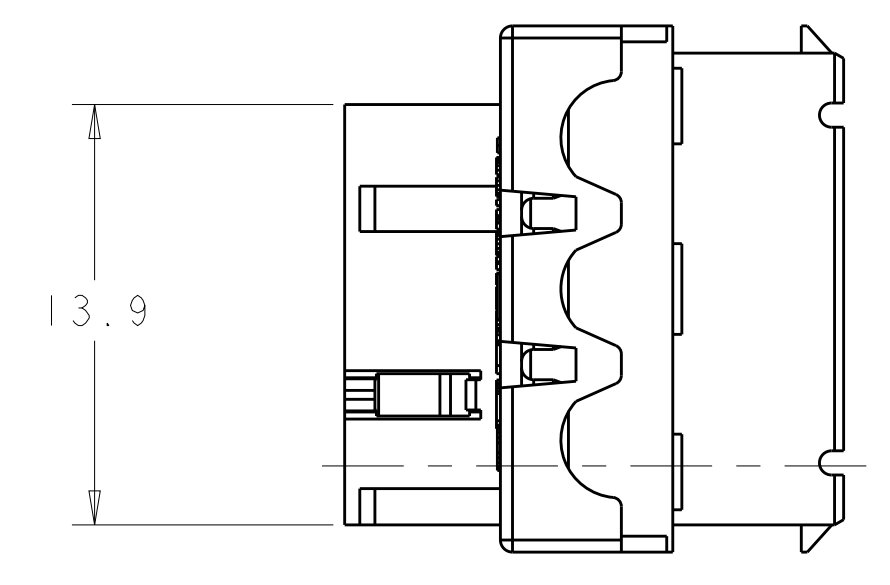
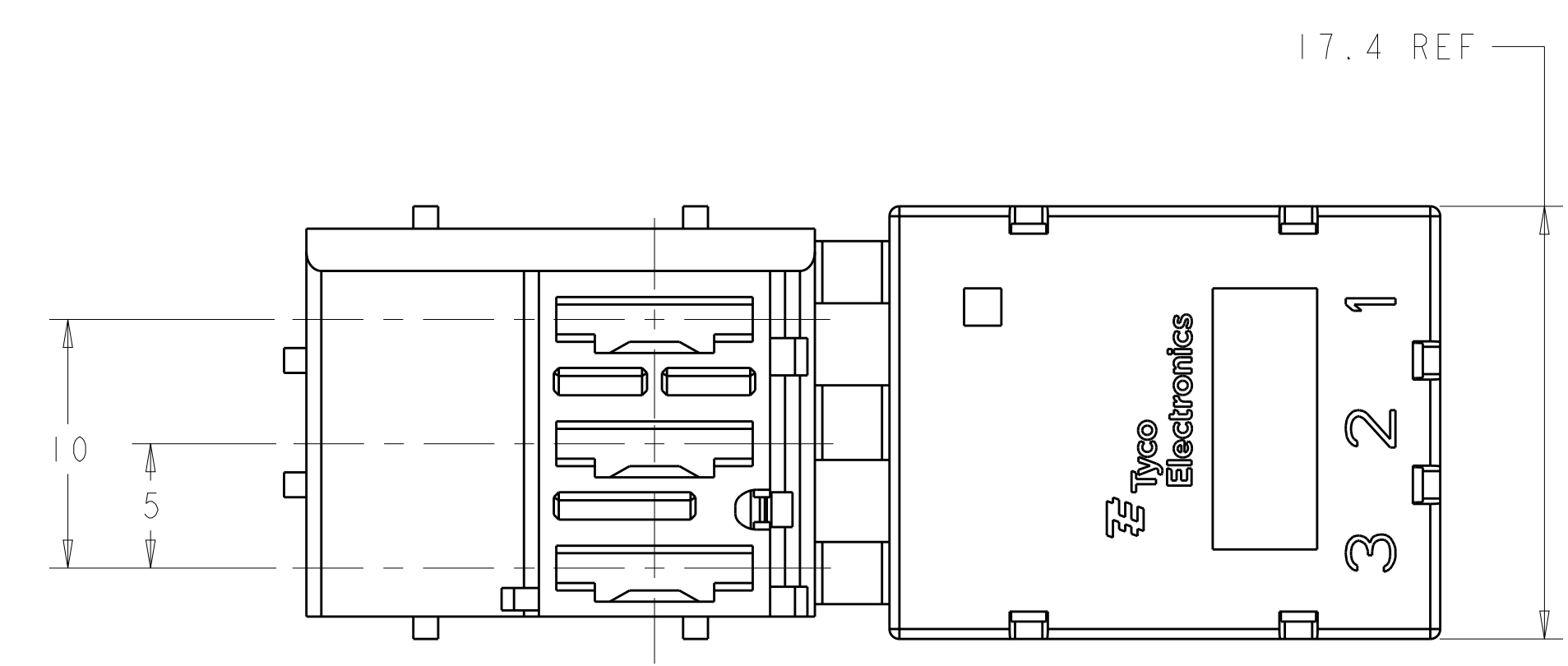
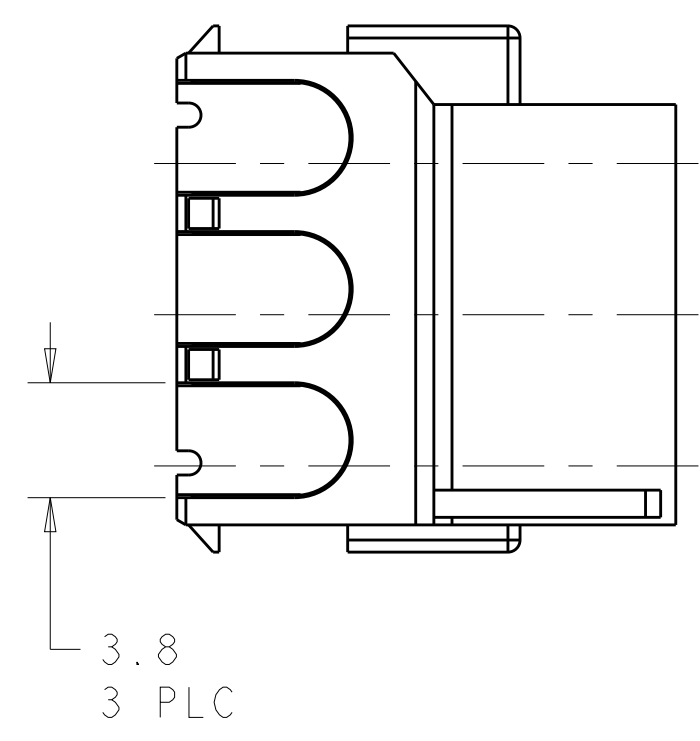
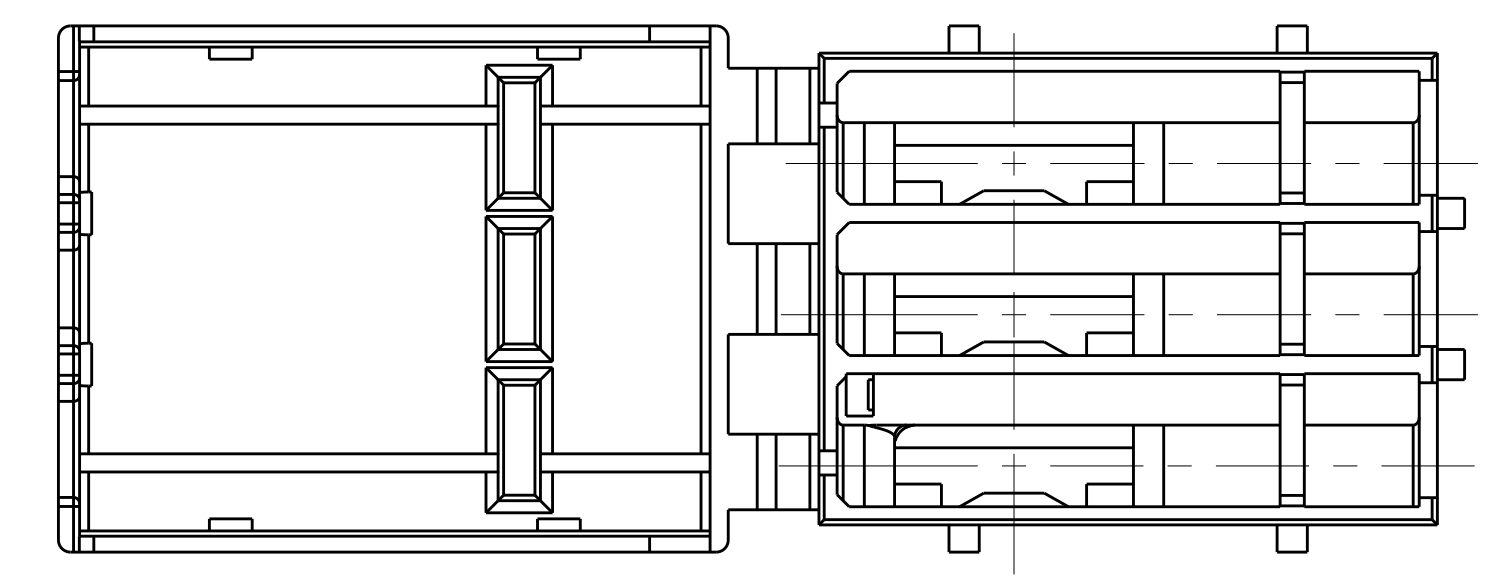


| LOC | | DIST | | REVISIONS | | | | |
|-----|-----|---------------------------|-----------|-----------|------|--|--|--|
| P | LTN | DESCRIPTION | DATE | DMN | APVD | | | |
| A3 | | REVISED PER ECR-09-008766 | 04MAY2009 | HMR | RL | | | |
| A4 | | ECR-20-003533 | 10MAR2020 | KD | FL | | | |



- 1 CAVITIES ACCEPTS 6.3mm RIGHT ANGLE RECEPTACLES,
 - USE PART NUMBER 1544113-X FOR WIRE RANGE 0.35mm²-1.0mm² [#22-#17] AWG
 - USE [ART NUMBER 1544114-X FOR WIRE RANGE 1.4mm²-2.0mm² [#16-#14] AWG
- 2 THIS PRODUCT HAS NOT COMPLETED VALIDATION TESTING.
- 3 PRELIMINARY - NOT RELEASED FOR PRODUCTION
- 4 UL94-V0, GWEPT 750°C NO FLAME ACCORDING TO IEC-60335-1



PICTORIAL VIEW KEY

| - | - | - | BLUE | 3 4 | 1-1969117-3 |
|--------------------|----------------|----------------------|--------------|-------------|-------------|
| - | - | - | YELLOW | 3 4 | 1-1969117-2 |
| - | 2c, 3d | 3b | NATURAL | 3 4 | 1-1969117-1 |
| - | 1d, 3d | 3b | NATURAL | 2 | 1969117-1 |
| RAST CONFIGURATION | KEYING FEATURE | POLARIZATION FEATURE | FINISH/COLOR | PART NUMBER | |

| | | | | | |
|---|--|---|--|---|--|
| DIMENSIONS: mm TOLERANCES UNLESS OTHERWISE SPECIFIED: 0 PLC ± 1 PLC ±0.13 2 PLC ± 3 PLC ± 4 PLC ± ANGLES ±1° MATERIAL NYLON FINISH SEE TABLE | | DWG M.S. FEHER 25SEP2007 CHK R. LONDON 28JUN2007 APVD B. LONDON 28JUN2007 NAME PRODUCT SPEC APPLICATION SPEC WEIGHT CUSTOMER DRAWING | | Tyco Electronics Harrisburg, PA 17105-3608 HOUSING, RAST 5, RIGHT ANGLE POSITIVE LOCK 3 POSITION SIZE CAGE CODE DRAWING NO A1100779C=1969117 SCALE 4:1 SHEET 1 OF 1 REV A4 | |
|---|--|---|--|---|--|

单击下面可查看定价，库存，交付和生命周期等信息

[>>TE Connectivity\(泰科\)](#)