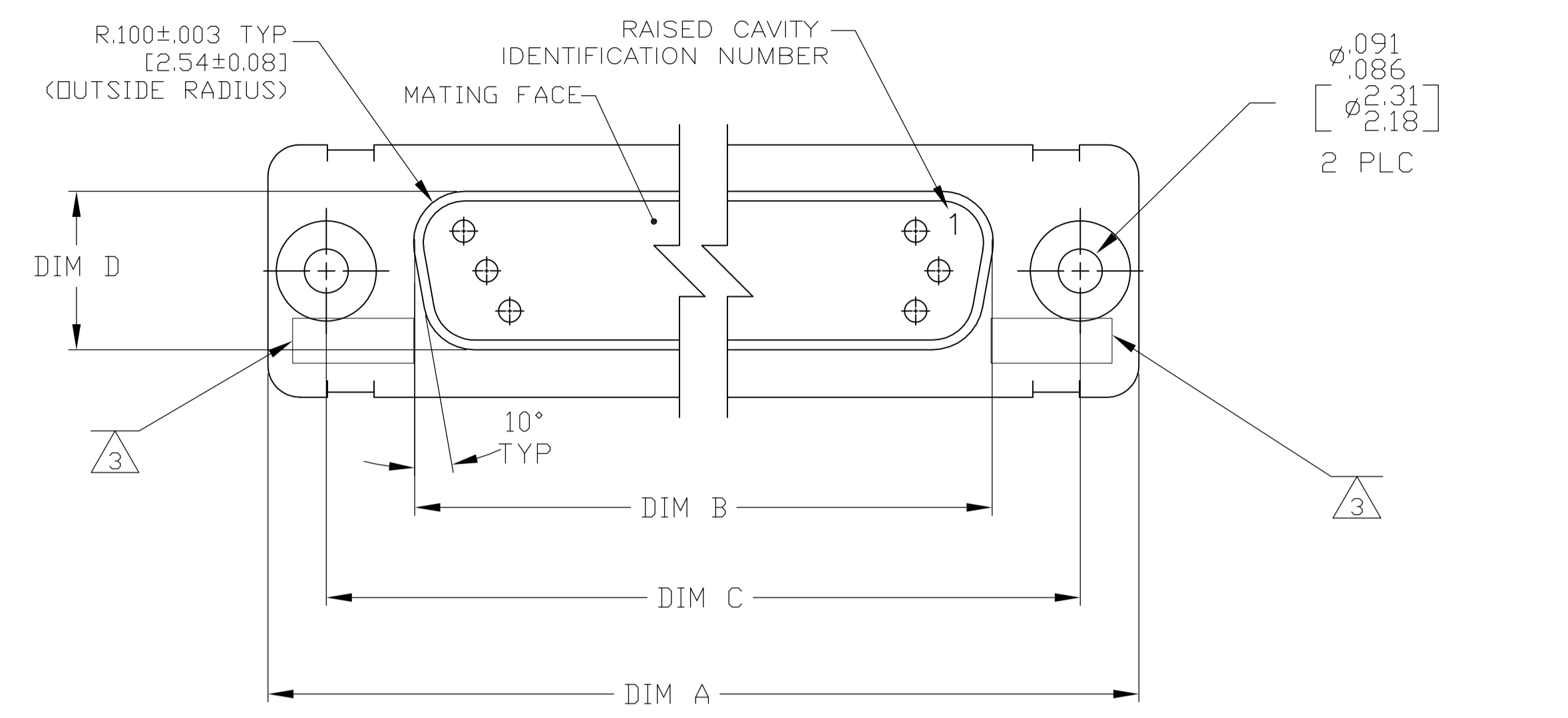
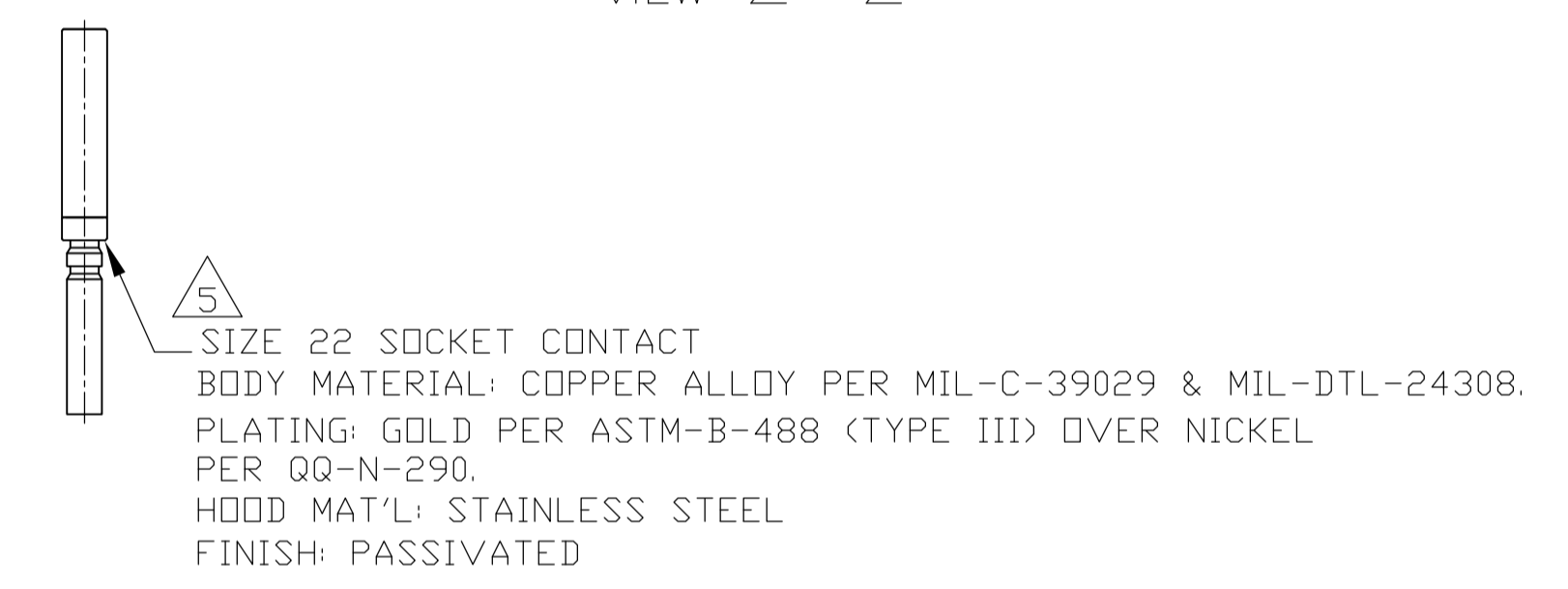
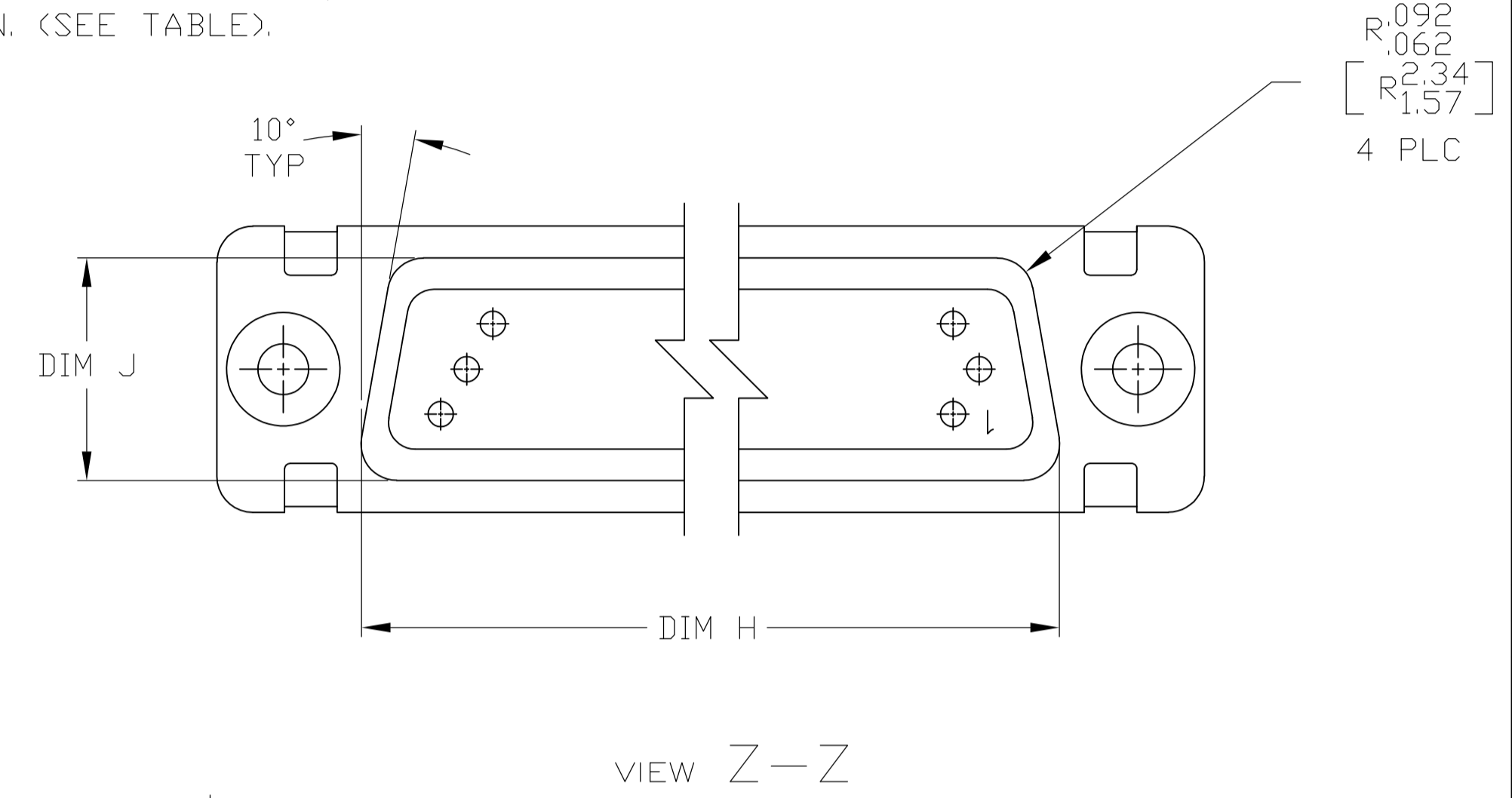
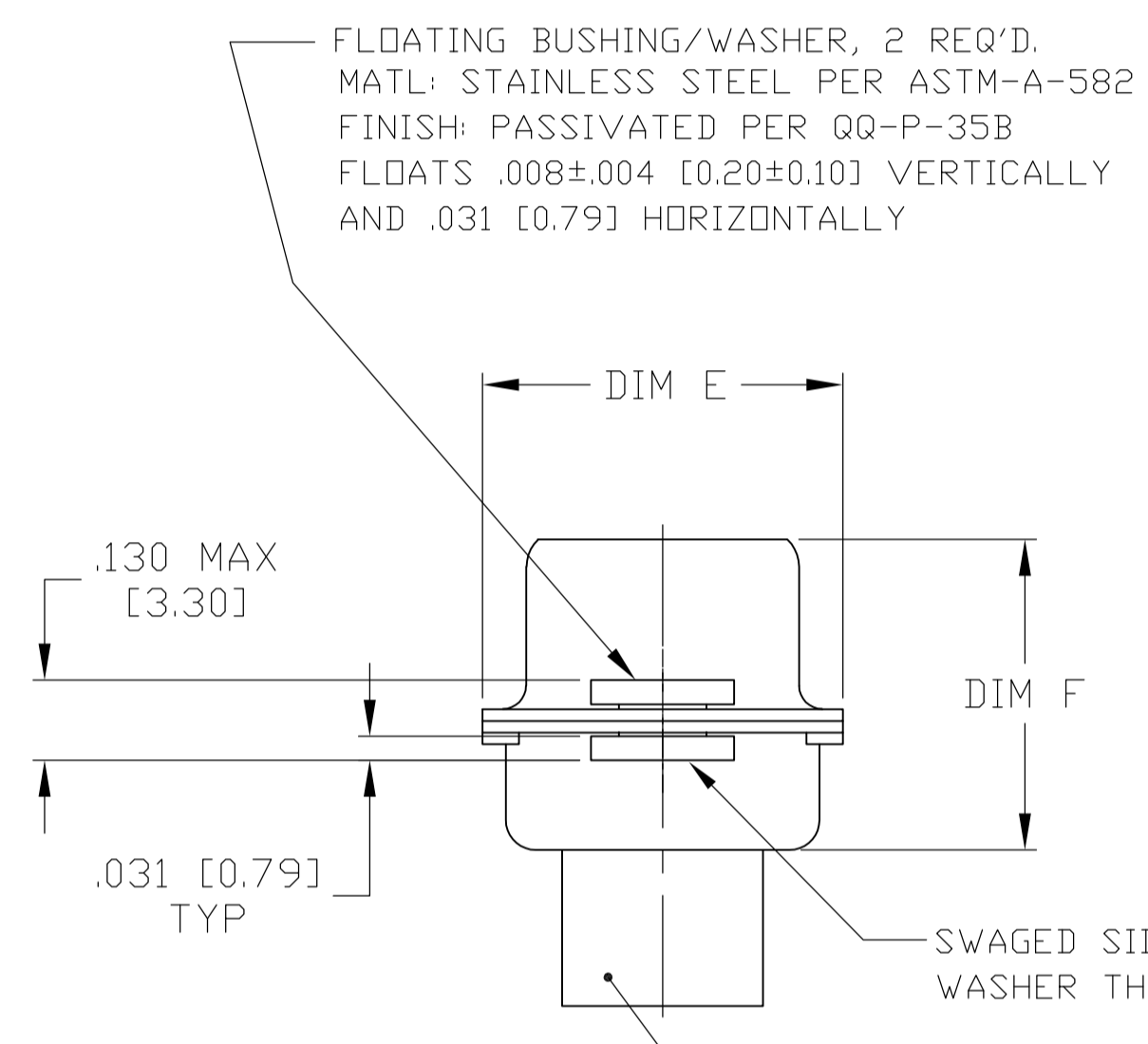
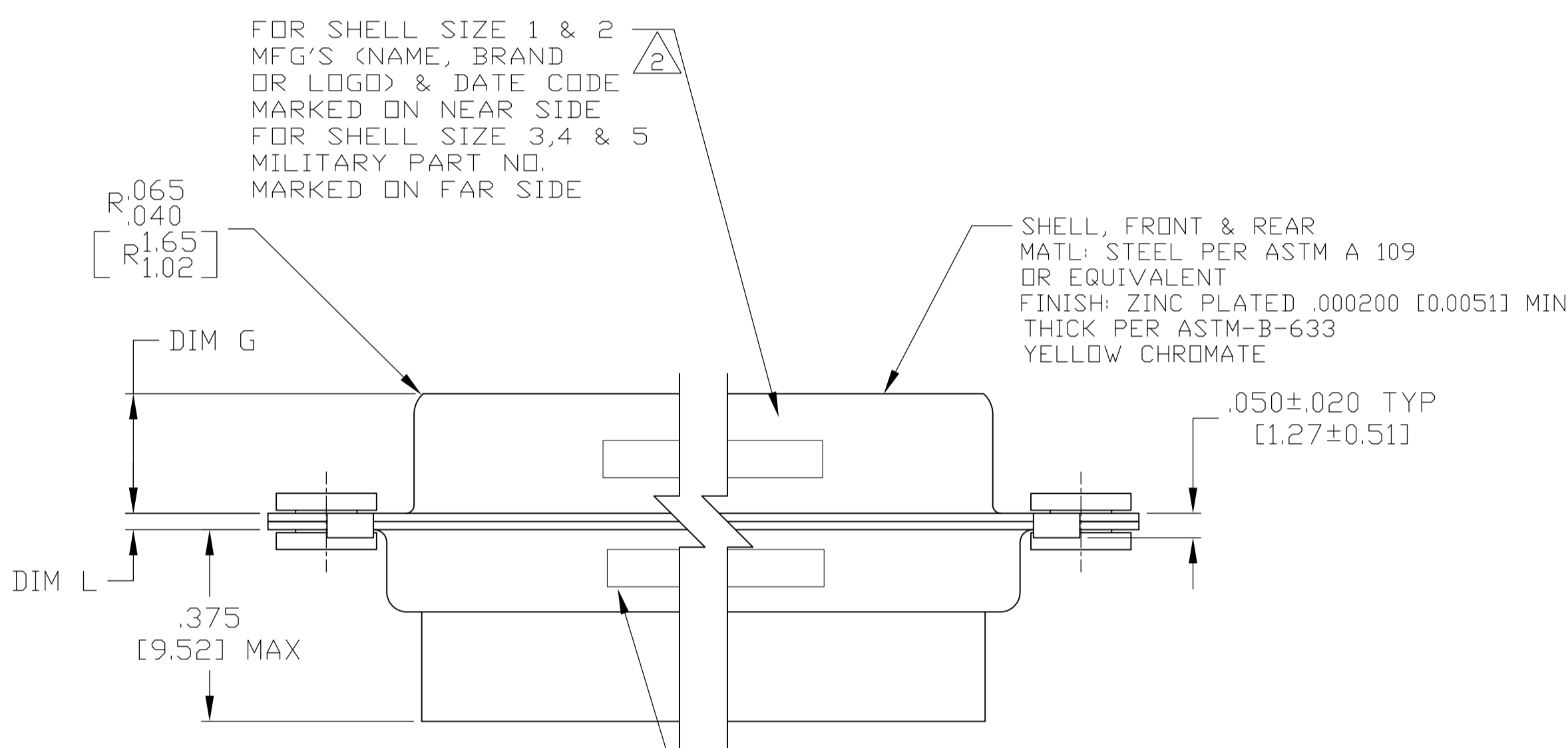


| REVISONS | | DATE | DN | APVO |
|----------|------|---------------|---------|-------|
| LOC | DIST | DESCRIPTION | | |
| F | LTR | ECO-15-016062 | 09NOV15 | KG CD |



1. THE CONNECTOR DESCRIBED IN THIS DOCUMENT WILL MATE WITH ANY PLUG CONNECTOR WITH THE SAME INSERT ARRANGEMENT.
2. MARKED WITH .047-.062 [1.19-1.57] HIGH CHARACTERS. FAR SIDE REFERS TO THE WIDE SIDE OF THE KEYSTONE. NEAR SIDE REFERS TO THE NARROW SIDE OF THE KEYSTONE. WHEN SPACE IS LIMITED MARKING CAN BE SPLIT BETWEEN FRONT AND REAR SHELL.
3. UL/CSA DESIGNATION STAMPED IN THIS AREA (EXCEPT FOR SIZE 6).
4. CONNECTOR ASSEMBLY WITHOUT CONTACTS, MFG'S P/N 204351-1. MUST BE ORDERED SEPARATELY.
5. CONNECTOR ASSEMBLY SUPPLIED WITH CONTACTS, MFG'S P/N 204351-1. PACKAGED IN A SEPARATE CONTAINER. QTY = NO. OF POSN. (SEE TABLE).



FOR SHELL SIZE 1 & 2 MFG'S PART NO. (SEE TABLE) MARKED ON NEAR SIDE MILITARY PART NO. (SEE TABLE) MARKED ON FAR SIDE FOR SHELL SIZE 3,4 & 5 MFG'S (NAME, BRAND OR LOGO), MFG'S PART NO. AND DATE CODE MARKED ON FAR SIDE

| REMARKS | MILITARY P/N ON PACKAGE | MILITARY P/N ON CONNECTOR | MARKED MFG'S PART NUMBER | L | J | H | G | F | E | D | C | B | A | INSERT ARRANGEMENT | NO OF POS | SHELL SIZE | PART NUMBER |
|---------|-------------------------|---------------------------|--------------------------|----------------------------|------------------------------|--------------------------------|----------------------------|------------------------------|------------------------------|------------------------------|--------------------------------|--------------------------------|--------------------------------|--------------------|-----------|------------|-------------|
| 5 | M24308/2-33Z | M24308/2-33Z | 1-1757826-2 | .049 [1.24] .029 [0.74] | .606 [15.39] .586 [14.88] | 2.312 [58.72] 2.292 [58.22] | .248 [6.30] .238 [5.82] | .439 [11.15] .419 [10.64] | .683 [17.35] .653 [16.59] | .490 [12.45] .480 [12.19] | 2.505 [63.63] 2.495 [63.37] | 2.194 [55.73] 2.184 [55.47] | 2.744 [69.70] 2.714 [68.94] | MS14004-1 | 104 | 6 | 1-1757826-2 |
| 5 | M24308/2-32Z | M24308/2-32Z | 1-1757826-1 | .049 [1.24] .029 [0.74] | .544 [13.82] .524 [13.31] | 2.188 [55.58] 2.168 [55.07] | .248 [6.30] .238 [5.82] | .439 [11.15] .419 [10.64] | .620 [15.75] .590 [14.99] | .428 [10.87] .418 [10.62] | 2.411 [61.24] 2.401 [60.99] | 2.069 [52.55] 2.059 [52.30] | 2.650 [67.31] 2.620 [66.55] | MS18277-2 | 78 | 5 | 1-1757826-1 |
| 5 | M24308/2-31Z | M24308/2-31Z | 1-1757826-0 | .049 [1.24] .029 [0.74] | .432 [10.97] .412 [10.46] | 2.282 [57.96] 2.262 [57.45] | .248 [6.30] .238 [5.82] | .439 [11.15] .419 [10.64] | .509 [12.93] .479 [12.17] | .316 [8.03] .306 [7.77] | 2.505 [63.63] 2.495 [63.37] | 2.164 [54.97] 2.154 [54.71] | 2.744 [69.70] 2.714 [68.94] | MS18276-2 | 62 | 4 | 1-1757826-0 |
| 5 | M24308/2-30Z | M24308/2-30Z | 1757826-9 | .049 [1.24] .029 [0.74] | .432 [10.97] .412 [10.46] | 1.635 [41.53] 1.615 [41.02] | .248 [6.30] .238 [5.82] | .439 [11.15] .419 [10.64] | .509 [12.93] .479 [12.17] | .316 [8.03] .306 [7.77] | 1.857 [47.17] 1.847 [46.91] | 1.516 [38.51] 1.506 [38.25] | 2.103 [53.42] 2.073 [52.65] | MS18275-2 | 44 | 3 | 1757826-9 |
| 5 | M24308/2-29Z | M24308/2-29Z | 1757826-8 | .040 [1.02] .020 [0.51] | .432 [10.97] .412 [10.46] | 1.093 [27.76] 1.073 [27.25] | .248 [6.30] .238 [5.82] | .439 [11.15] .419 [10.64] | .509 [12.93] .479 [12.17] | .316 [8.03] .306 [7.77] | 1.317 [33.45] 1.307 [33.20] | .976 [24.79] .966 [24.54] | 1.556 [39.52] 1.526 [38.76] | MS18274-2 | 26 | 2 | 1757826-8 |
| 5 | M24308/2-28Z | M24308/2-28Z | 1757826-7 | .040 [1.02] .020 [0.51] | .432 [10.97] .412 [10.46] | .769 [19.53] .749 [19.02] | .248 [6.30] .238 [5.82] | .439 [11.15] .419 [10.64] | .509 [12.93] .479 [12.17] | .316 [8.03] .306 [7.77] | .989 [25.12] .979 [24.87] | .648 [16.46] .638 [16.21] | 1.228 [31.19] 1.198 [30.43] | MS18273-2 | 15 | 1 | 1757826-7 |
| 4 | M24308/2-302Z | M24308/2-33Z | 1-1757826-2 | .049 [1.24] .029 [0.74] | .606 [15.39] .586 [14.88] | 2.312 [58.72] 2.292 [58.22] | .248 [6.30] .238 [5.82] | .439 [11.15] .419 [10.64] | .683 [17.35] .653 [16.59] | .490 [12.45] .480 [12.19] | 2.505 [63.63] 2.495 [63.37] | 2.194 [55.73] 2.184 [55.47] | 2.744 [69.70] 2.714 [68.94] | MS14004-1 | 104 | 6 | 1757826-6 |
| 4 | M24308/2-301Z | M24308/2-32Z | 1-1757826-1 | .049 [1.24] .029 [0.74] | .544 [13.82] .524 [13.31] | 2.188 [55.58] 2.168 [55.07] | .248 [6.30] .238 [5.82] | .439 [11.15] .419 [10.64] | .620 [15.75] .590 [14.99] | .428 [10.87] .418 [10.62] | 2.411 [61.24] 2.401 [60.99] | 2.069 [52.55] 2.059 [52.30] | 2.650 [67.31] 2.620 [66.55] | MS18277-2 | 78 | 5 | 1757826-5 |
| 4 | M24308/2-300Z | M24308/2-31Z | 1-1757826-0 | .049 [1.24] .029 [0.74] | .432 [10.97] .412 [10.46] | 2.282 [57.96] 2.262 [57.45] | .248 [6.30] .238 [5.82] | .439 [11.15] .419 [10.64] | .509 [12.93] .479 [12.17] | .316 [8.03] .306 [7.77] | 2.505 [63.63] 2.495 [63.37] | 2.164 [54.97] 2.154 [54.71] | 2.744 [69.70] 2.714 [68.94] | MS18276-2 | 62 | 4 | 1757826-4 |
| 4 | M24308/2-299Z | M24308/2-30Z | 1757826-9 | .049 [1.24] .029 [0.74] | .432 [10.97] .412 [10.46] | 1.635 [41.53] 1.615 [41.02] | .248 [6.30] .238 [5.82] | .439 [11.15] .419 [10.64] | .509 [12.93] .479 [12.17] | .316 [8.03] .306 [7.77] | 1.857 [47.17] 1.847 [46.91] | 1.516 [38.51] 1.506 [38.25] | 2.103 [53.42] 2.073 [52.65] | MS18275-2 | 44 | 3 | 1757826-3 |
| 4 | M24308/2-298Z | M24308/2-29Z | 1757826-8 | .040 [1.02] .020 [0.51] | .432 [10.97] .412 [10.46] | 1.093 [27.76] 1.073 [27.25] | .248 [6.30] .238 [5.82] | .439 [11.15] .419 [10.64] | .509 [12.93] .479 [12.17] | .316 [8.03] .306 [7.77] | 1.317 [33.45] 1.307 [33.20] | .976 [24.79] .966 [24.54] | 1.556 [39.52] 1.526 [38.76] | MS18274-2 | 26 | 2 | 1757826-2 |
| 4 | M24308/2-297Z | M24308/2-28Z | 1757826-7 | .040 [1.02] .020 [0.51] | .432 [10.97] .412 [10.46] | .769 [19.53] .749 [19.02] | .248 [6.30] .238 [5.82] | .439 [11.15] .419 [10.64] | .509 [12.93] .479 [12.17] | .316 [8.03] .306 [7.77] | .989 [25.12] .979 [24.87] | .648 [16.46] .638 [16.21] | 1.228 [31.19] 1.198 [30.43] | MS18273-2 | 15 | 1 | 1757826-1 |

THIS DRAWING IS A CONTROLLED DOCUMENT.

DIMENSIONS: INCHES (mm)
 TOLERANCES UNLESS OTHERWISE SPECIFIED:
 0 PLC ± -
 1 PLC ± -
 2 PLC ± -
 3 PLC ± .005 [0.13]
 4 PLC ± -
 ANGLES ± 1°

MATERIAL: SEE CALLOUTS
 FINISH: SEE CALLOUTS

DWN: C.C. THOMAS 6/5
 CHK: D. MILLER 6-8-05
 APVD: D. MILLER 6-8-05
 PRODUCT SPEC: AMPLIMITE RECEPTACLE ASSY, SIZE 1 THRU 6 SERIES 90 WITH ZINC PLATING AND FLOAT BUSHINGS
 APPLICATION SPEC: -
 WEIGHT: -
 CUSTOMER DRAWING: A1 00779 C=1757826

SCALE: 4:1
 SHEET: 1 of 1
 REV: F

单击下面可查看定价，库存，交付和生命周期等信息

[>>TE Connectivity\(泰科\)](#)