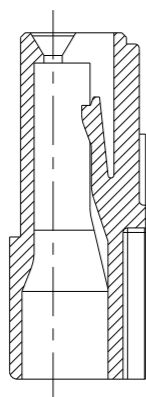
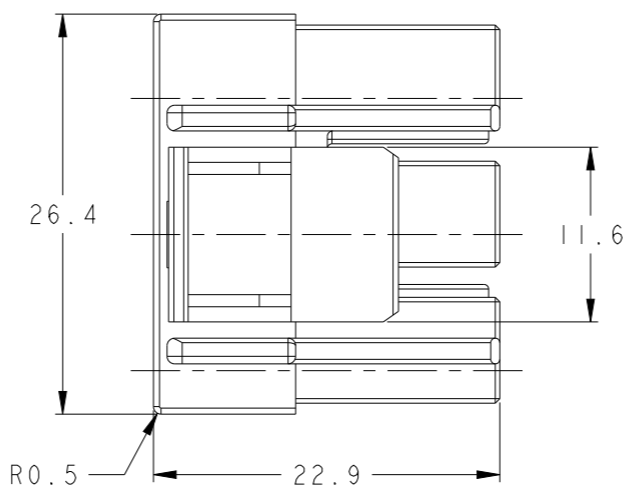


P	LTR	DESCRIPTION	DATE	DWN	APVD
	F4	REVISED PER ECR-21-105872	06JUL2021	SC	D.Z



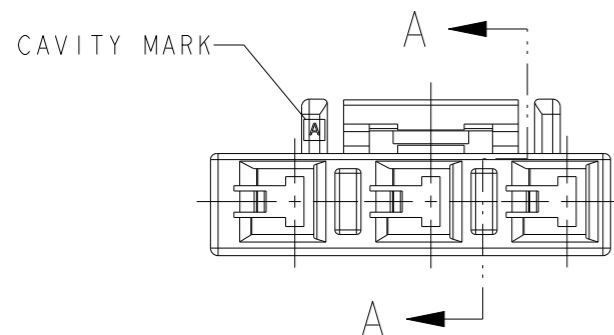
SECTION D - D



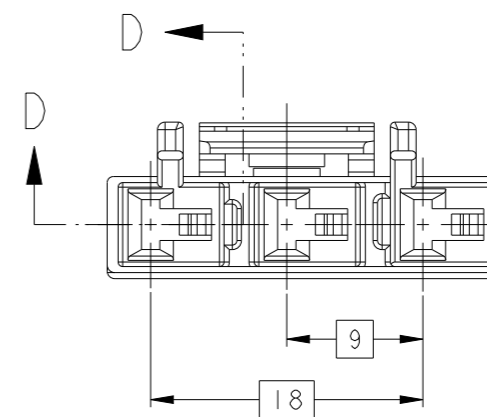
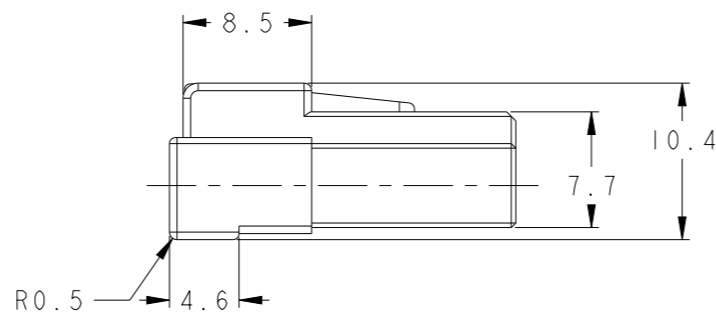
NOTES

⚠ MATING CONN. P/N
 HDR ASSEMBLY: SEE TABLE
 REC CONTACT: 1746971-1
 : 1746972-1

2 PART MEETS WITH GWT 750°C

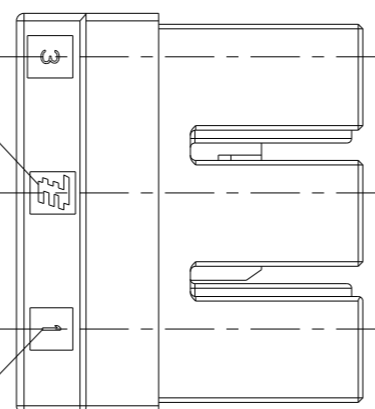


SECTION A - A



TRADE MARK

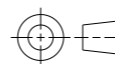
CIRCUIT NO.



2-1903415-1	BLUE	2-1903414-1
1-1903415-1	RED	1-1903414-1
1903415-1	NATURAL	1903414-1
⚠ MATING CONN.P/N	COLOR	PART NUMBER

THIS DRAWING IS A CONTROLLED DOCUMENT.

DIMENSIONS:
mm



TOLERANCES UNLESS OTHERWISE SPECIFIED:

0 PLC ±0.3
 1 PLC ±0.3
 2 PLC ±0.3
 3 PLC ±0.2
 4 PLC ±0.2
 ANGLES ±3°

MATERIAL
 PA66 GF
 UL94 V-0

FINISH

-

DWN 07FEB2006

A.HIROTA

CHK 07FEB2006

N.YAMASAKI

APVD 07FEB2006

N.YAMASAKI

PRODUCT SPEC
108-78357

APPLICATION SPEC
114-5356

WEIGHT

CUSTOMER DRAWING

NAME
 GRACE HI-CURRENT(GHC)
 9.0mm 3POS PLUG HOUSING

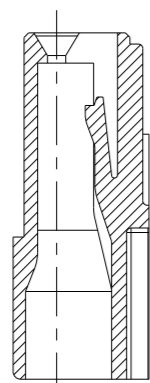
SIZE CAGE CODE DRAWING NO RESTRICTED TO

A3 00779 C-1903414

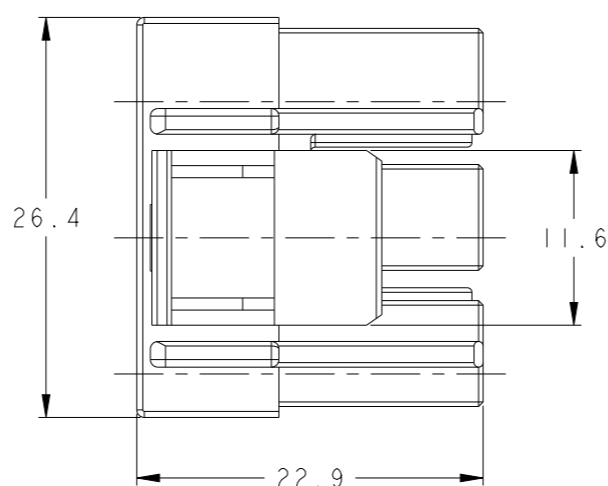
STE TE Connectivity

SCALE 2:1 SHEET 1 OF 2 REV F4

P	LTR	DESCRIPTION	DATE	DWN	APVD
		SEE SHEET 1			



SECTION D-D

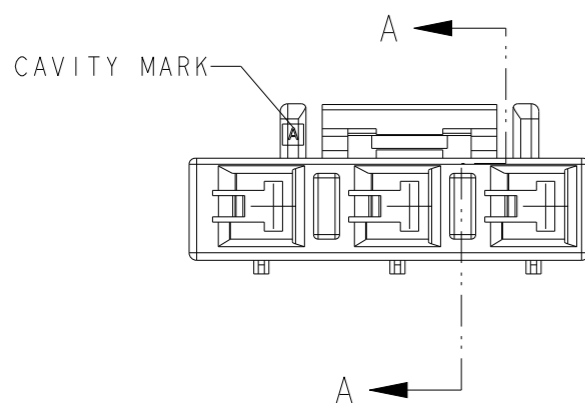


NOTES

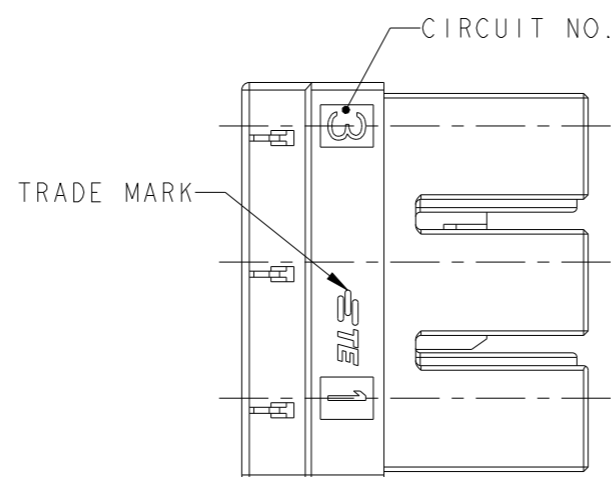
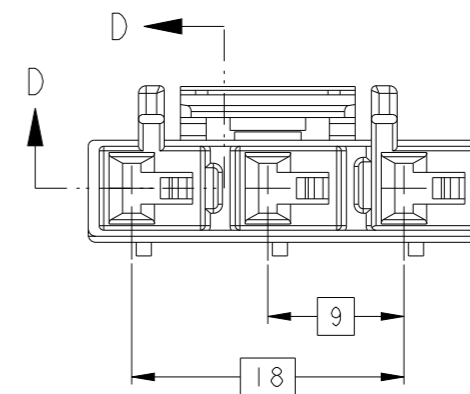
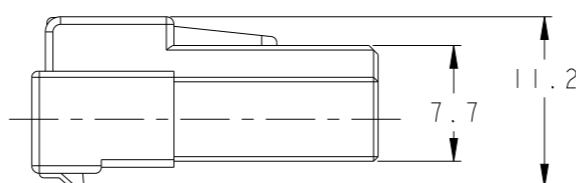
⚠ MATING CONN. P/N
 HDR ASSEMBLY: SEE TABLE
 REC CONTACT: 1746971-1
 : 1746972-1

2 PART MEETS WITH GWT 750°C

3 APPLICABLE TPA P/N: 2232563-1 OR 1-2232563-1



SECTION A-A



4-1903415-1	BLACK	4-1903414-2
2-1903415-1	BLUE	2-1903414-2
1-1903415-1	RED	1-1903414-2
1903415-1	NATURAL	1903414-2
⚠ MATING CONN. P/N	COLOR	PART NUMBER

THIS DRAWING IS A CONTROLLED DOCUMENT.

DIMENSIONS:	TOLERANCES UNLESS OTHERWISE SPECIFIED:
mm	
	0 PLC ±0.3
	1 PLC ±0.3
	2 PLC ±0.3
	3 PLC ±0.2
	4 PLC ±0.2
	ANGLES ±3°
MATERIAL	FINISH
PA66 GF UL94 V-0	-

DWN	SC KIM	26OCT2016
CHK	BH CHO	26OCT2016
APVD	BW KANG	26OCT2016
PRODUCT SPEC	108-78357	
APPLICATION SPEC	114-5356	
WEIGHT	-	
CUSTOMER DRAWING		

STE TE Connectivity			
NAME GRACE HI-CURRENT(GHC) 9.0mm 3POS PLUG HOUSING			
SIZE	CAGE CODE	DRAWING NO	RESTRICTED TO
A3	00779	1903414	-
SCALE		SHEET	REV
2:1		2 OF 2	F4

单击下面可查看定价，库存，交付和生命周期等信息

[>>TE Connectivity\(泰科\)](#)