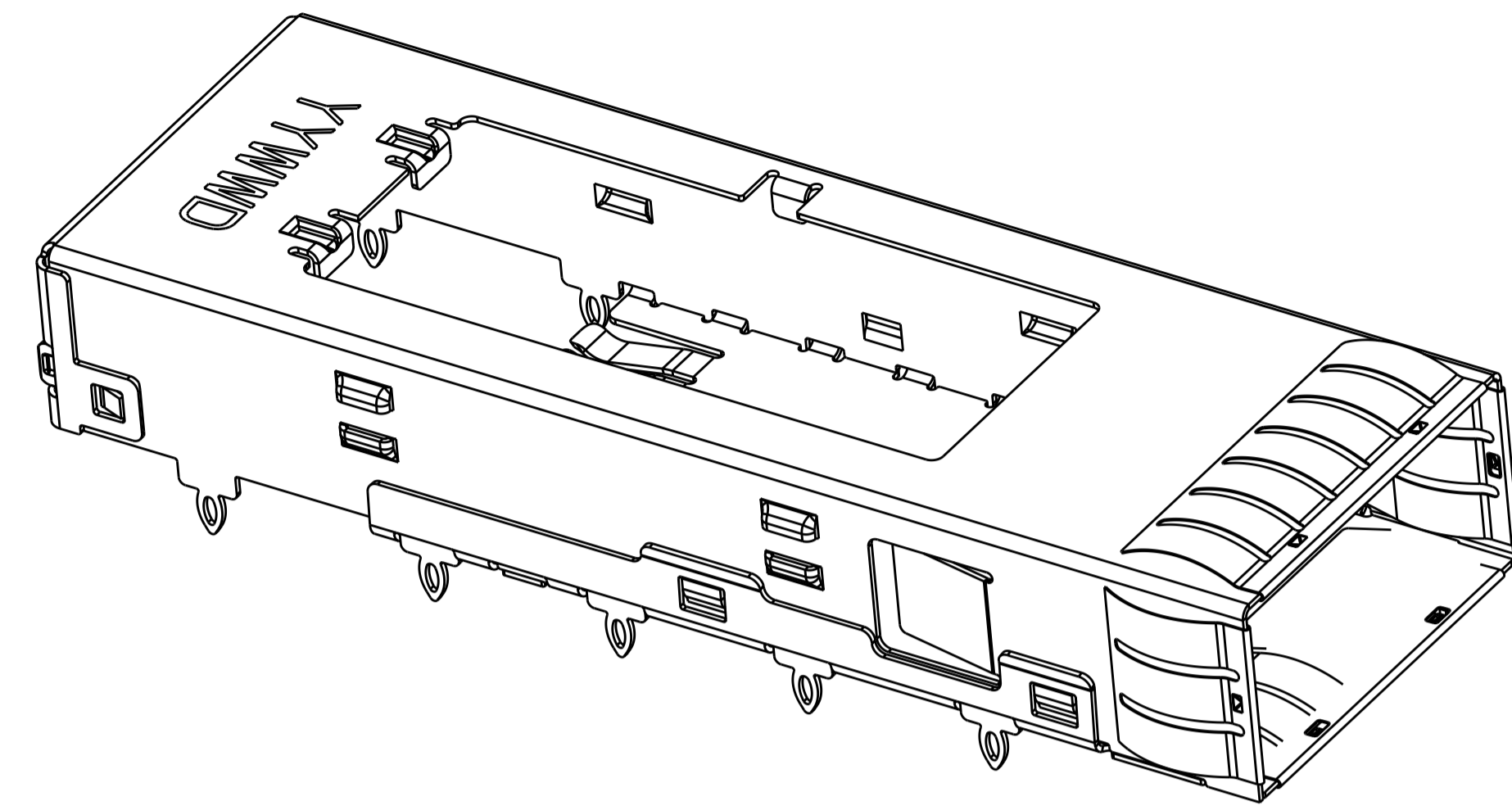
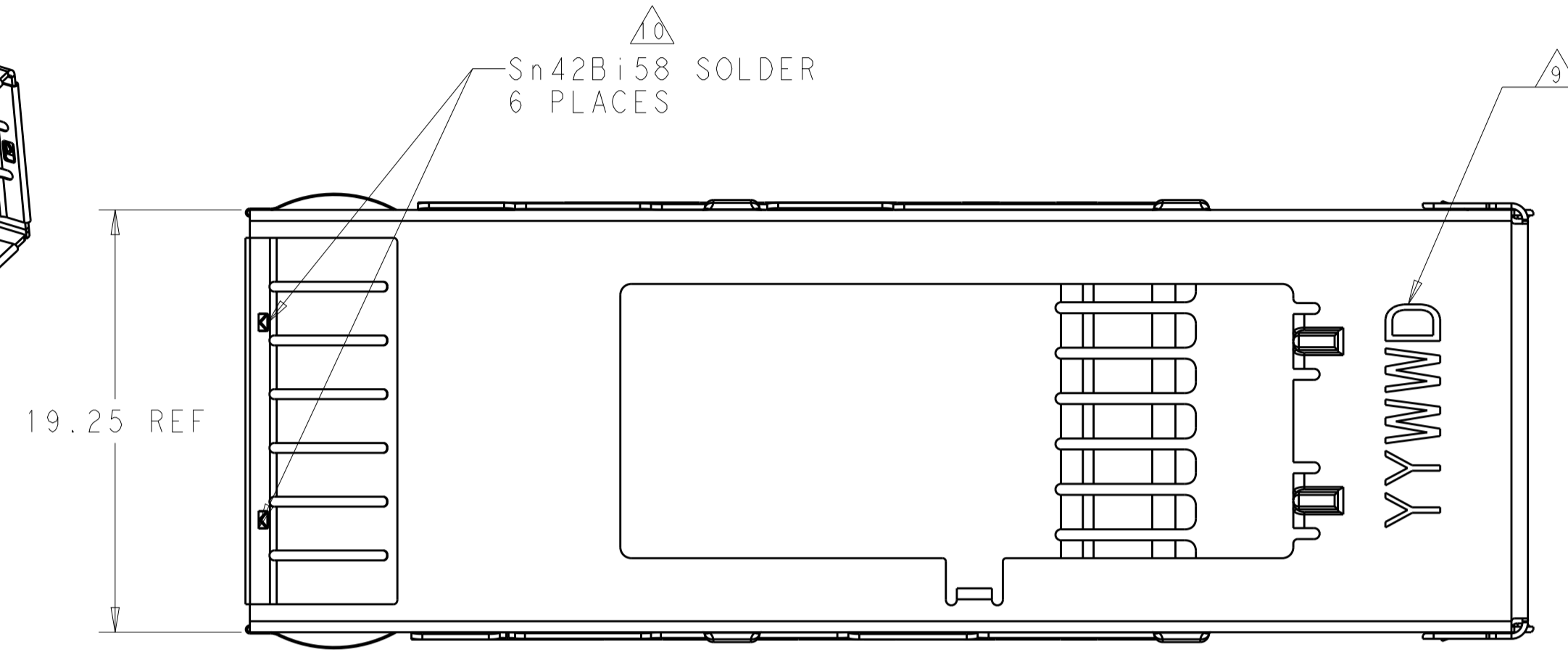


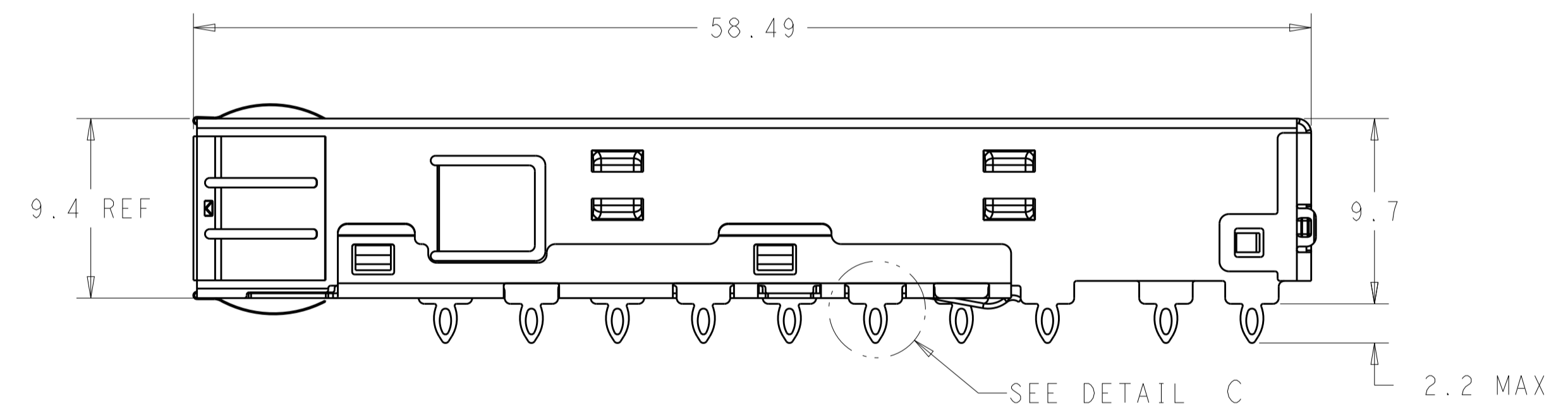
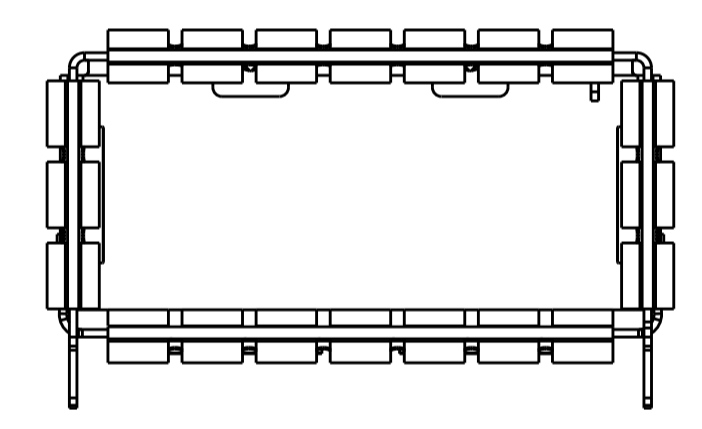
LOC		DIST		REVISIONS			
P	LTN	DESCRIPTION	DATE	DWN	APVD		
A		FIRST ACTIVE	19APR2014	HW	MC		
B		UPDATE VIEW	29OCT2014	RG	MC		
C		ADD DIMENSION 15.14	15JAN2015	RG	MC		
D		REVISED PER ECO-18-010041	04JUL2018	TX	SH		



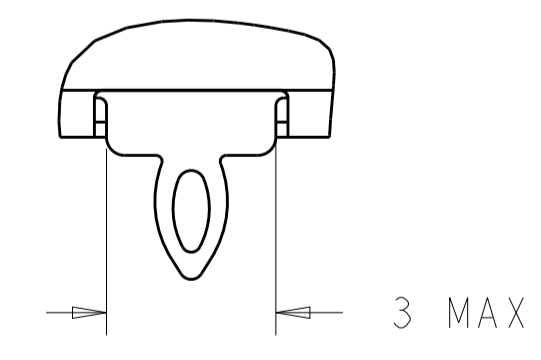
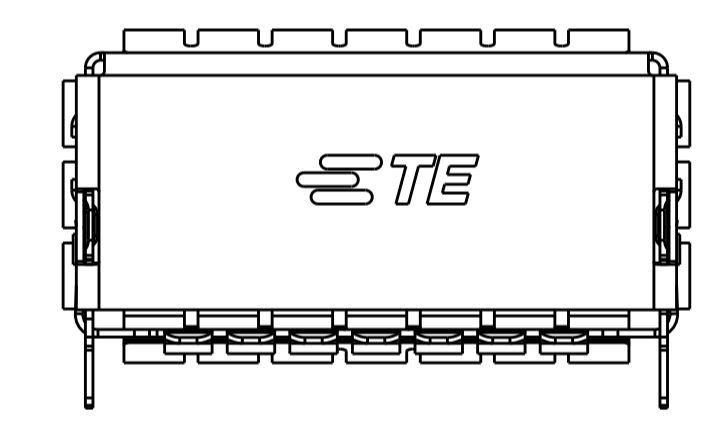
SCALE 4:1



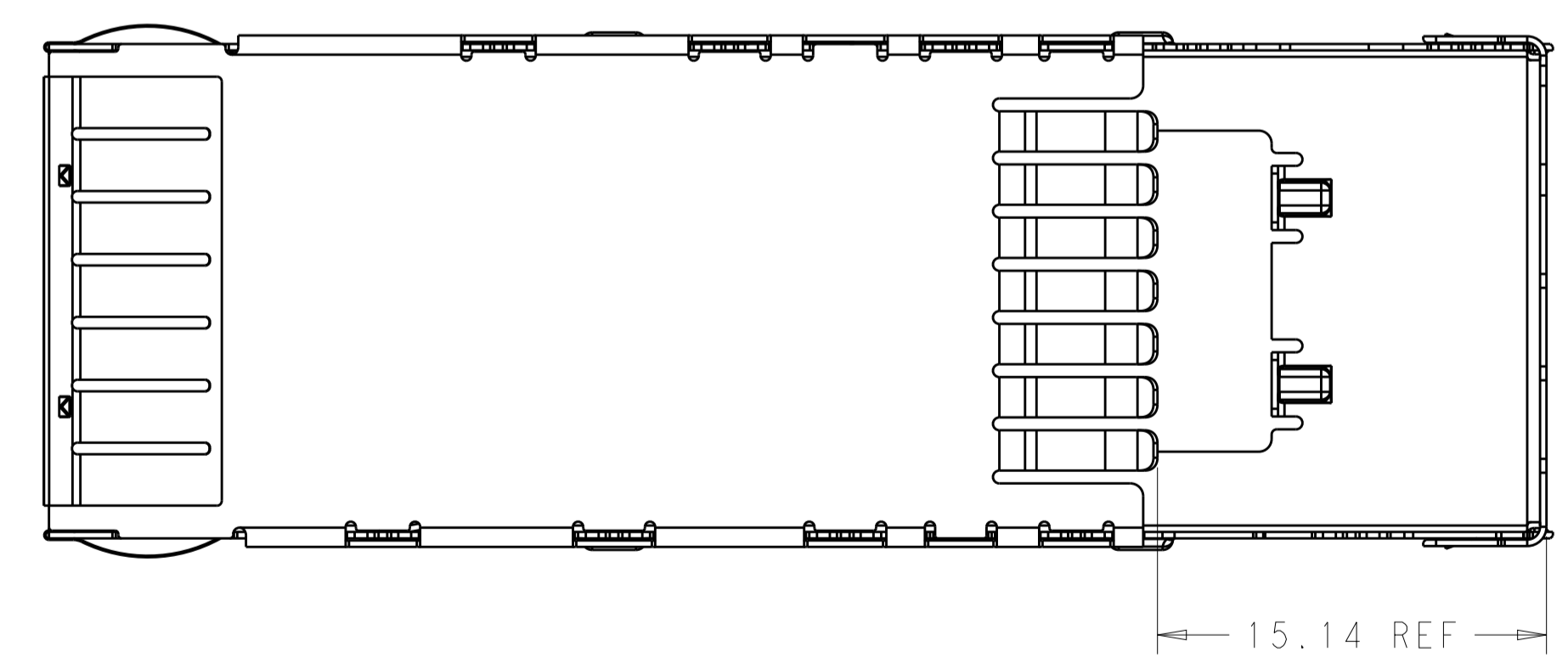
- △ CAGE MATERIAL : 0.25 mm THICK NICKEL SILVER.
SPRING MATERIAL: COPPER ALLOY
- △ MINIMUM PITCH DIMENSION
- 3. MATES WITH QSFP MSA COMPATIBLE TRANSCEIVER.
- △ REFERENCE APPLICATION SPEC 114-13217 FOR RECOMMENDED DRILL HOLE DIAMETER AND PLATING THICKNESS.
- △ DATUM AND BASIC DIMENSIONS ESTABLISHED BY CUSTOMERS.
- 6. MINIMUM PC BOARD THICKNESS :
SINGLES SIDED: 1.45 mm MIN
DOUBLE SIDED: 2.2 mm MIN
- △ DATUM -A- IS TOP SURFACE OF THE HOST BOARD.
- △ SURFACE TRACES PERMITTED WITHIN THIS AREA EXCEPT WHERE CAGE STANDOFFS, CONTACT PC BOARD.
- △ DATE CODE (YYWW) MARKED APPROXIMATELY AS SHOWN
- △ FIX EMI SPRING BY SOLDERING.



SCALE 4:1



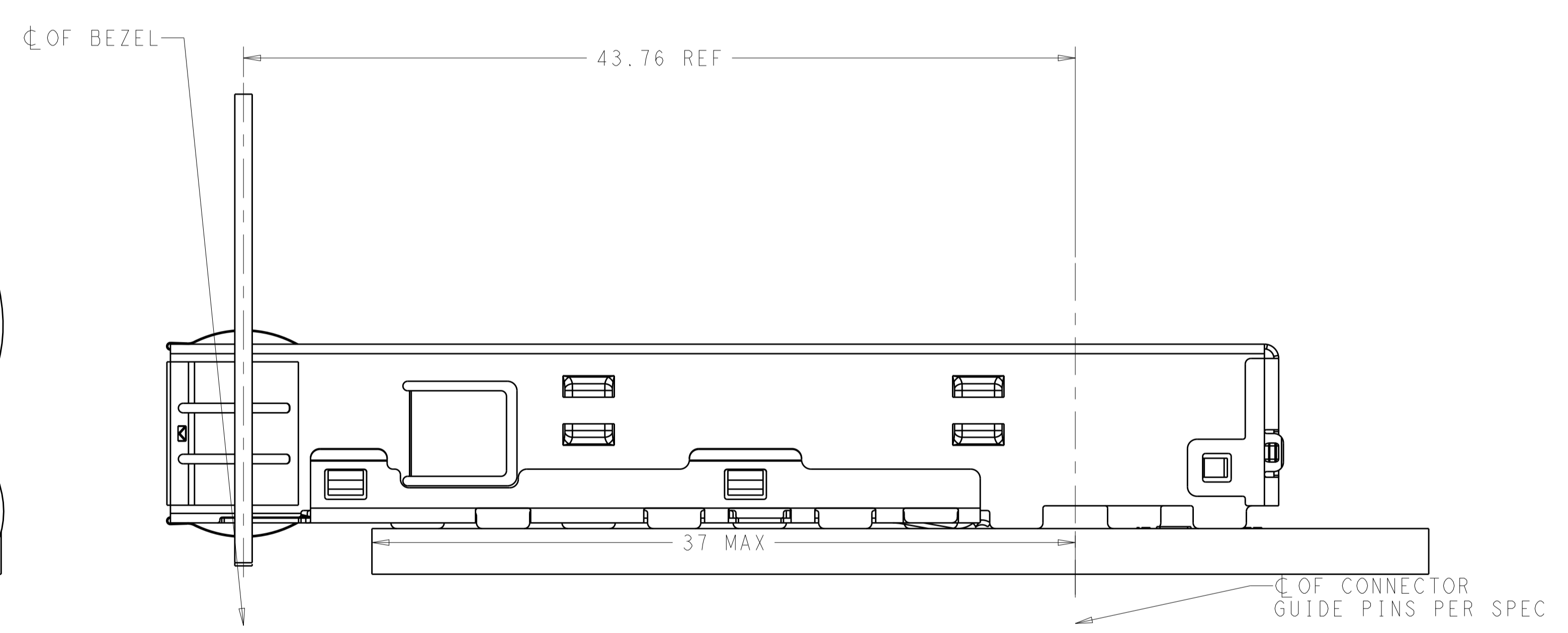
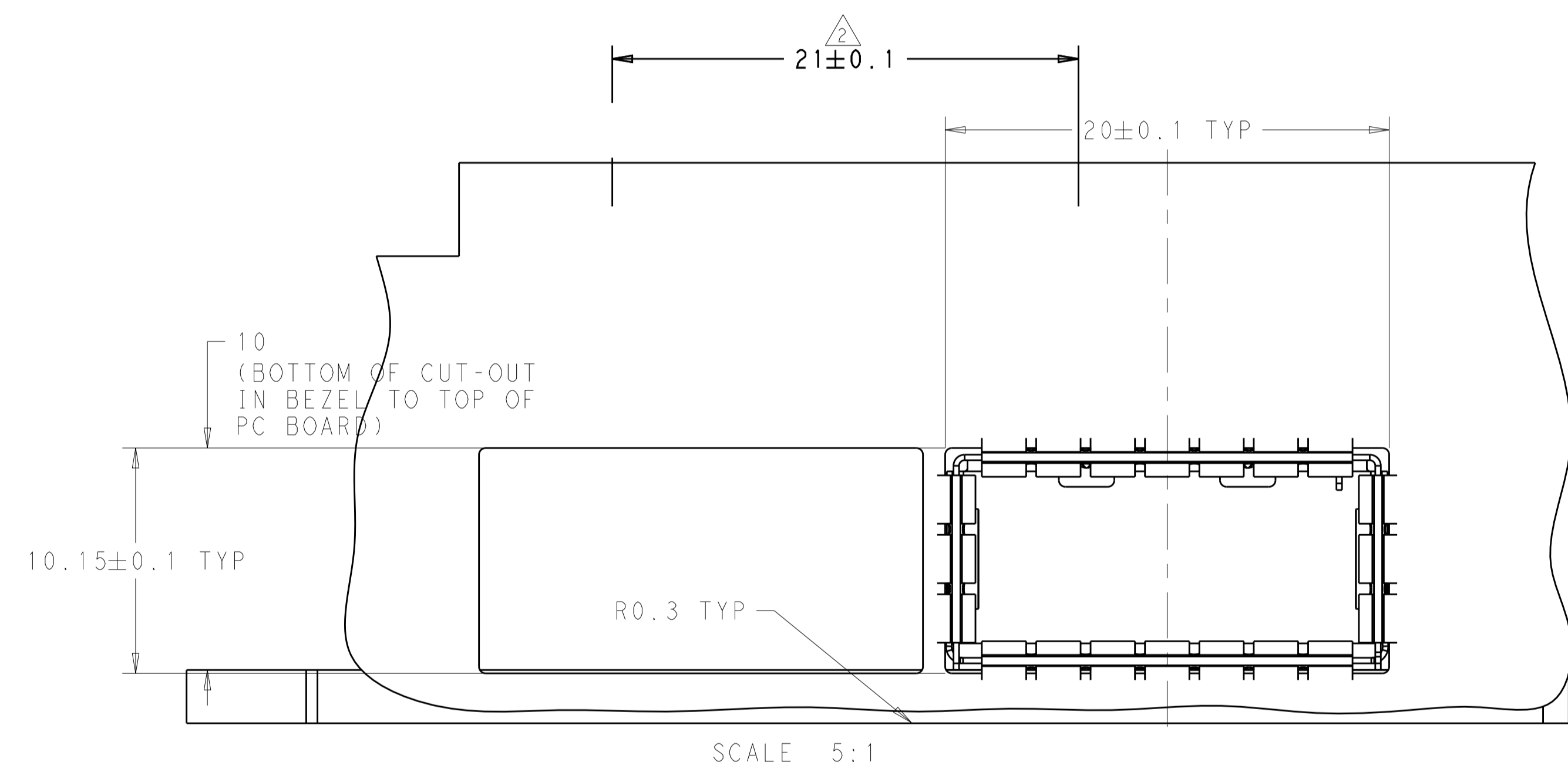
DETAIL C
SCALE 8:1



2170519-1 PART NUMBER

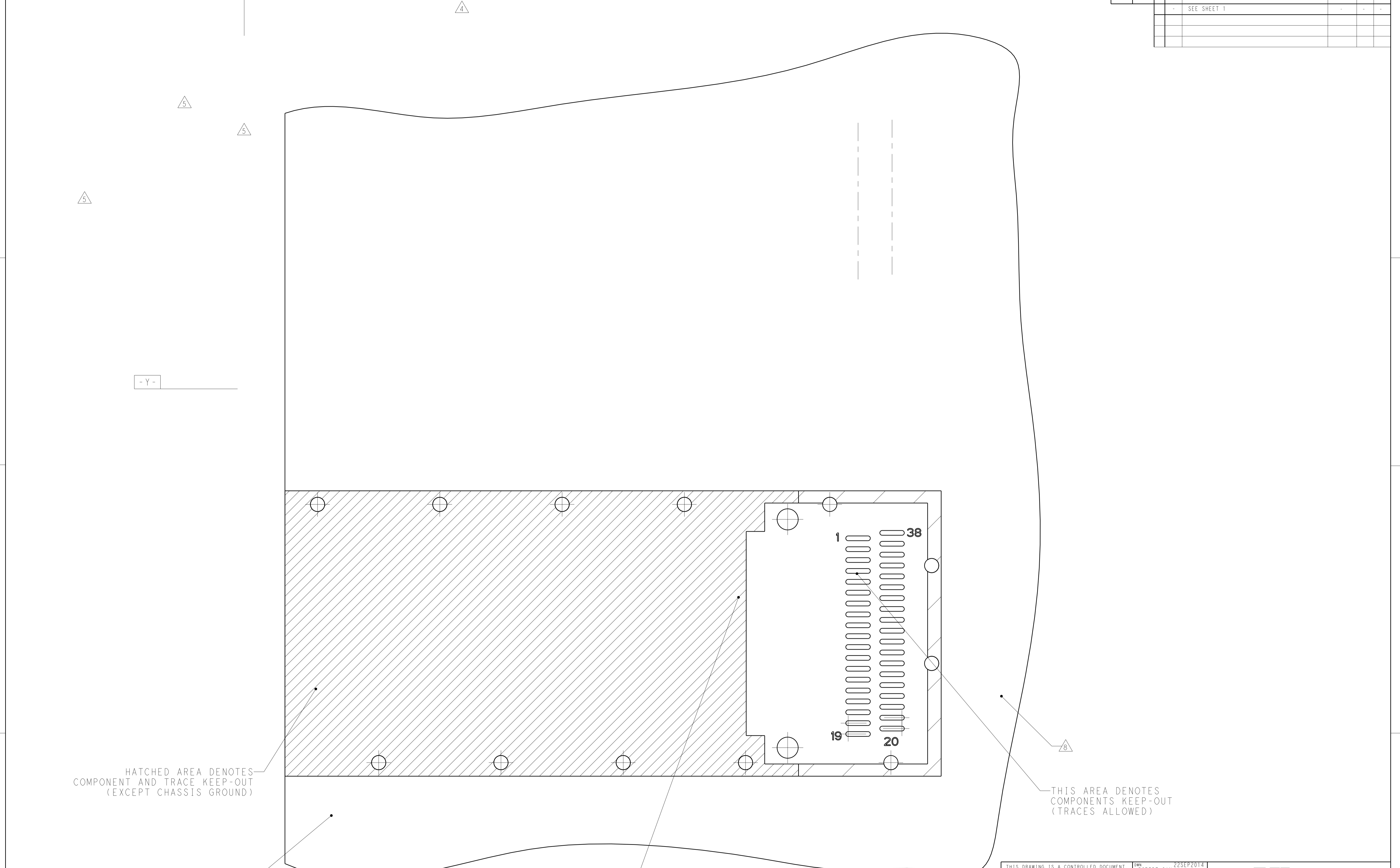
THIS DRAWING IS A CONTROLLED DOCUMENT.		DWN: ROBERT GAN 22SEP2014	TE Connectivity
DIMENSIONS: mm		CHK: MARSHALL CHEN 22SEP2014	
TOLERANCES UNLESS OTHERWISE SPECIFIED:		APVD: MARSHALL CHEN 22SEP2014	NAME: CAGE ASSEMBLY, THRU BEZEL 1X1 QSFP+
0 PLC	±0.25	PRODUCT SPEC	108-2286
1 PLC	±0.25	APPLICATION SPEC	114-13217
2 PLC	±0.10	FINISH	
3 PLC	±0.013	WEIGHT	
4 PLC	±	CUSTOMER DRAWING	
ANGLES	±	SCALE	2:1
FINISH		SHEET	1 OF 3
		REV	D

LOC		DIST		REVISIONS			
				DESCRIPTION	DATE	DMN	APVD
-	-	-	-	SEE SHEET 1	-	-	-



THIS DRAWING IS A CONTROLLED DOCUMENT.		DMN ROBERT GAN	22SEP2014	TE Connectivity
DIMENSIONS:		CHK	22SEP2014	
mm	TOLERANCES UNLESS OTHERWISE SPECIFIED:	APVD MARSHALL CHEN	22SEP2014	NAME CAGE ASSEMBLY, THRU BEZEL 1X1 QSFP+
0 PLC ±0.25 1 PLC ±0.25 2 PLC ±0.10 3 PLC ±0.013 4 PLC ±	FINISH -	PRODUCT SPEC 108-2286	APPLICATION SPEC 114-13217	
MATERIAL		WEIGHT	114-13217	RESTRICTED TO
			CUSTOMER DRAWING	SIZE CAGE CODE DRAWING NO A100779C=2170519
			SCALE 2:1	SHEET 2 OF 3 REV D

LOC		DIST		REVISIONS			
P	LTN	DESCRIPTION	DATE	DMN	APVD		
-	-	SEE SHEET 1	-	-	-		



HATCHED AREA DENOTES COMPONENT AND TRACE KEEP-OUT (EXCEPT CHASSIS GROUND)

THIS AREA DENOTES COMPONENTS KEEP-OUT (TRACES ALLOWED)

CROSS HATCHED AREA DENOTES EMI GROUNDING PAD MUST BE CONNECTED TO CHASSIS GROUND

THIS DRAWING IS A CONTROLLED DOCUMENT.		DMN: ROBERT GAN	22SEP2014		TE Connectivity
DIMENSIONS: mm		CHK: MARSHALL CHEN	22SEP2014		NAME: CAGE ASSEMBLY, THRU BEZEL 1X1 QSFP+
TOLERANCES UNLESS OTHERWISE SPECIFIED:		APVD: MARSHALL CHEN	108-2286	PRODUCT SPEC	
0 PLC ±0.25		APPLIC. SPEC	114-13217	APPLICATION SPEC	
1 PLC ±0.25		WEIGHT		SIZE: A1	CAGE CODE: 00779
2 PLC ±0.10		FINISH		DRAWING NO: C=2170519	RESTRICTED TO: -
3 PLC ±0.10				CUSTOMER DRAWING	SCALE: 2:1
4 PLC ±0.013					SHEET 3 OF 3
ANGLES ±°					REV D

单击下面可查看定价，库存，交付和生命周期等信息

[>>TE Connectivity\(泰科\)](#)