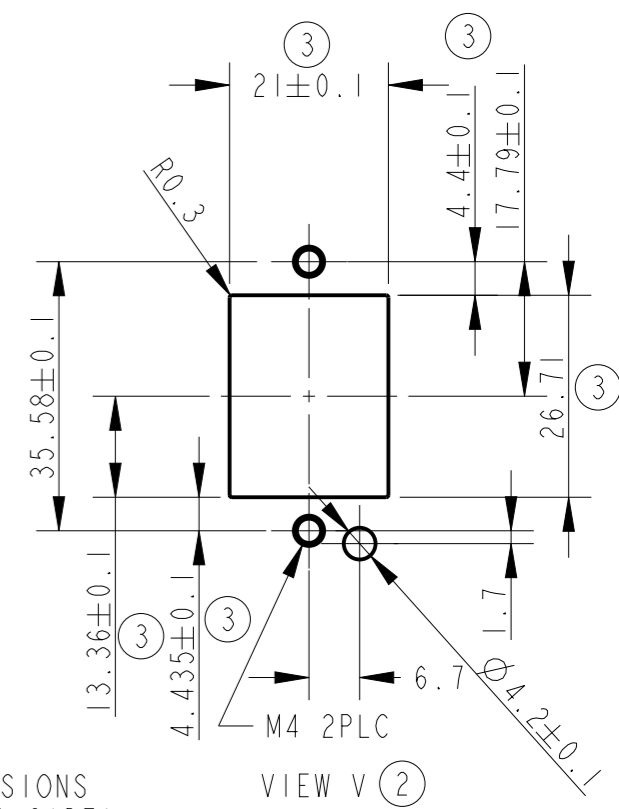
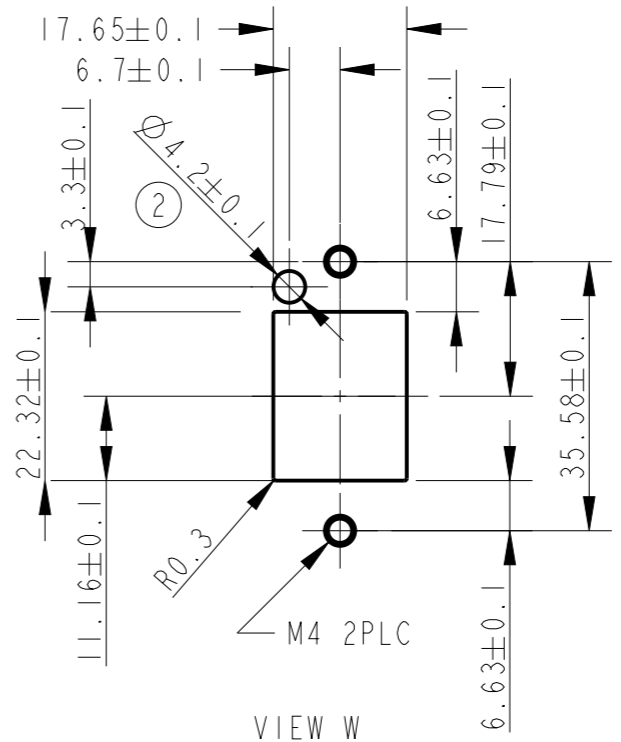
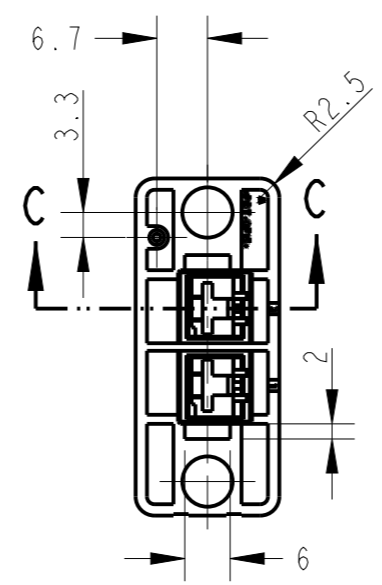
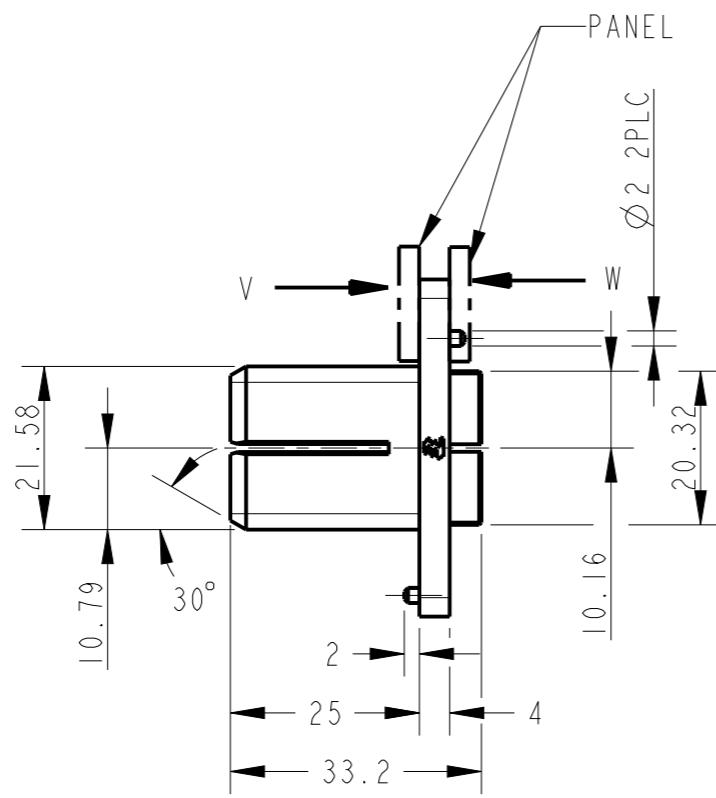
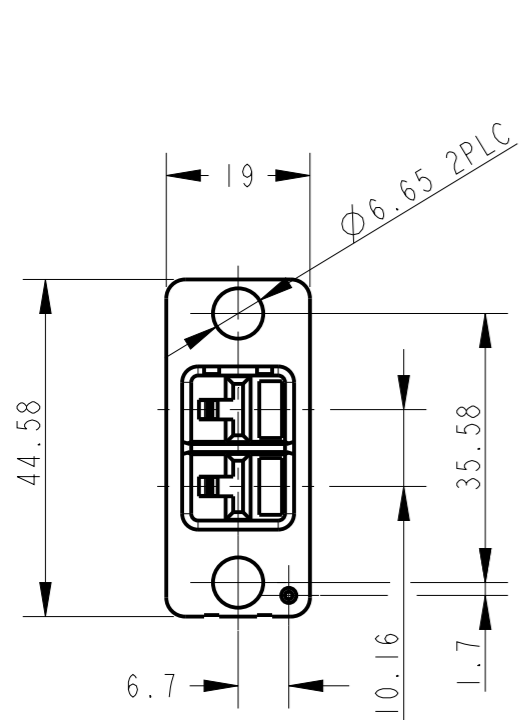
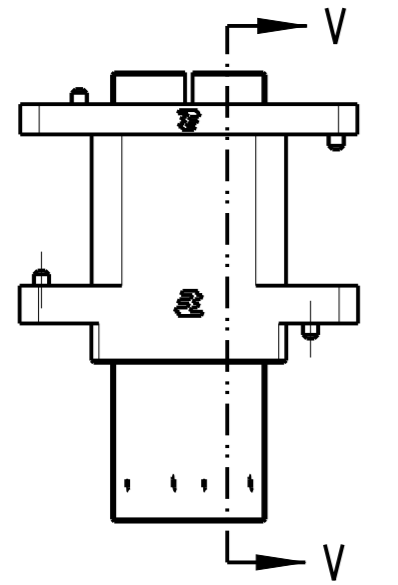


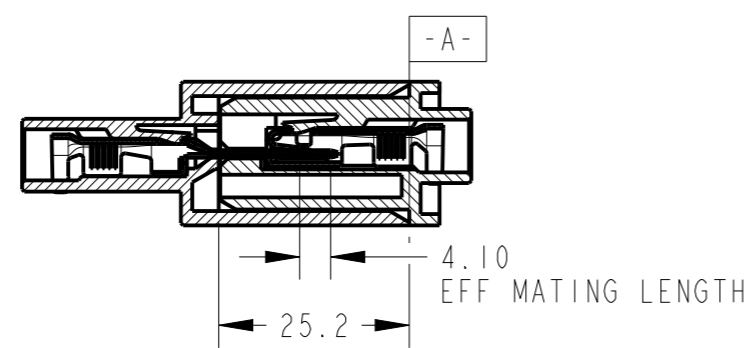
P	LTR	DESCRIPTION	DATE	DWN	APVD
A		REVISED ECR-05-001347	05APR05	C.Z	I.E
AI		REVISED ECR-20-018119	29DEC2020	A.W	R.B



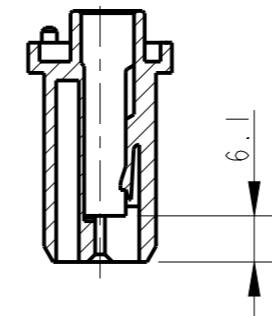
PANEL CUT DIMENSIONS  
(CONNECTOR MATING SIDE)  
RECOMMENDED PANEL THK: 1.0~1.6mm



MATED CONDITION



SECTION V-V  
(DYNAMIC CONTACT)



SECTION C-C

NOTES:  
1. APPLICABLE CONNECTOR & CONTACTS:

CIRCUIT TYPE	FINISH	AWG	APPLICABLE CONNECTOR/ CONTACT P/N	REMARKS
HIGH CURRENT CIRCUITS	GOLD PLT	#10-12	179956-X	STRIP
		#14-16	179955-X	STRIP

2. MATERIAL:  
HOUSING: PBT G.F. UL94V-0 COLOR: BLACK  
3. MATING COUNTER P/N: 292352-1  
4. RECOMMENDED SCREW LOCKING TORQUE: 10~15kgf·cm (0.98~1.47Nm)

2	292353-1
No. OF POSITIONS (HIGH CURRENT)	P/N

THIS DRAWING IS A CONTROLLED DOCUMENT.		DWN	ROY HAO	09APR04	<b>TE</b> TE Connectivity
DIMENSIONS: mm		CHK	STEVEN YAO	09APR04	
TOLERANCES UNLESS OTHERWISE SPECIFIED:		APVD	T SAKAKI	09APR04	
0 PLC ±0.25 1 PLC ±0.25 2 PLC ±0.25 3 PLC ±0.25 4 PLC ±0.25 ANGLES ±°		PRODUCT SPEC	108-51030		
MATERIAL		APPLICATION SPEC	114-51009		NAME
FINISH		WEIGHT	-		REC HOUSING FOR 1.5mm PITCH MINI CT HIGH CURRENT HYBRID DRAWER CONNECTOR
2		CUSTOMER DRAWING	SCALE	1:1	RESTRICTED TO
			SHEET	OF	REV
					AI

单击下面可查看定价，库存，交付和生命周期等信息

[>>TE Connectivity\(泰科\)](#)