
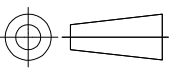


THIS DRAWING IS UNPUBLISHED. RELEASED FOR PUBLICATION SEP , 1998.
 © COPYRIGHT 2010 By - ALL RIGHTS RESERVED.

LOC	DIST	REVISIONS					
		P	LTR	DESCRIPTION	DATE	DWN	APVD
IR	-		B	CONTACT MATERIAL & PLATING CHANGE	20JUN2014	PS	JK

PACKAGING AND PRODUCT DETAILS:

PIN HEADER PACKED IN TUBE: SEE DRAWING 966306 (PdNi+GOLD FLASH AT CONTACT AREA)
 PIN HEADER PACKED IN BLISTER: SEE DRAWING 1241150 (PdNi+GOLD FLASH AT CONTACT AREA)
 PIN HEADER PACKED IN BLISTER: SEE DRAWING 2823050 (GOLD PLATING AT CONTACT AREA)

THIS DRAWING IS A CONTROLLED DOCUMENT.		DWN A.HO	08.11.93	 TE Connectivity					
DIMENSIONS: mm		CHK M.SCHAARSCHMIDT	08.11.93					NAME AMPMODU II STIFTLISTE EINREIHIG,SMD-VERSION	
		TOLERANCES UNLESS OTHERWISE SPECIFIED:		PRODUCT SPEC		RESTRICTED TO			
MATERIAL		FINISH		APPLICATION SPEC		SIZE A3	CAGE CODE 00779	DRAWING NO C-966710	REV B
-		-		WEIGHT		SCALE		SHEET	1 OF 1
				-		-		1 OF 1	
CUSTOMER DRAWING									

单击下面可查看定价，库存，交付和生命周期等信息

[>>TE Connectivity\(泰科\)](#)