

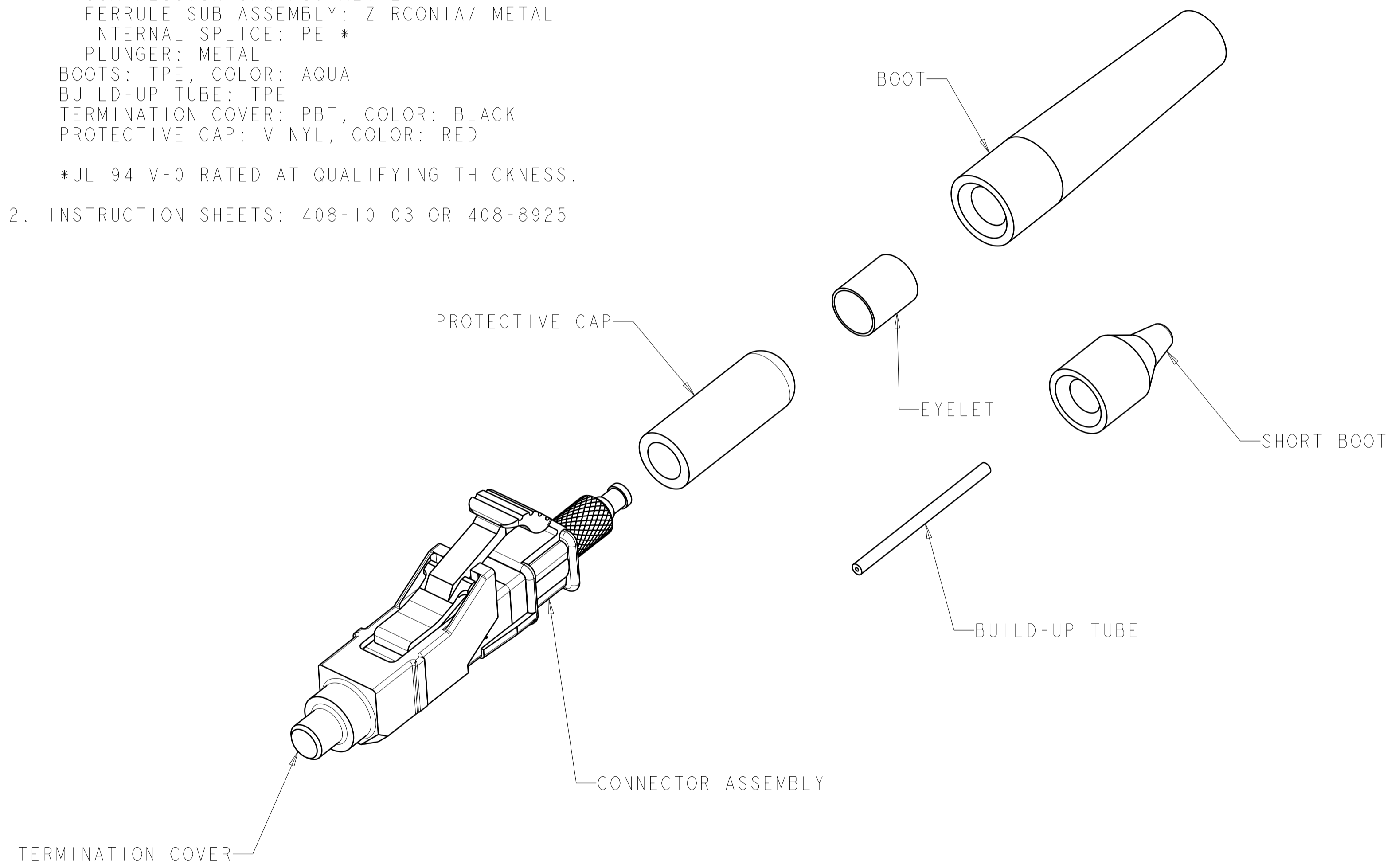
THIS DRAWING IS UNPUBLISHED. RELEASED FOR PUBLICATION 20  
 © COPYRIGHT 20 BY - ALL RIGHTS RESERVED.

LOC	DIST	REVISIONS			
P	LTR	DESCRIPTION	DATE	DWN	APVD
CE	00	A	RELEASED PER ECO 11-023416	01DEC2011	DLF SB

⚠ MATERIAL:  
 CONNECTOR ASSEMBLY:  
 CONNECTOR HOUSING: PPSU, COLOR: SEE -NO'S.\*  
 REAR BODY: METAL  
 COMPRESSION SPRING: METAL  
 FERRULE SUB ASSEMBLY: ZIRCONIA/ METAL  
 INTERNAL SPLICE: PEI\*  
 PLUNGER: METAL  
 BOOTS: TPE, COLOR: AQUA  
 BUILD-UP TUBE: TPE  
 TERMINATION COVER: PBT, COLOR: BLACK  
 PROTECTIVE CAP: VINYL, COLOR: RED

\*UL 94 V-0 RATED AT QUALIFYING THICKNESS.

2. INSTRUCTION SHEETS: 408-10103 OR 408-8925



SLATE	1-1985960-0
ORANGE	1985960-9
VIOLET	1985960-8
BROWN	1985960-7
AQUA	1985960-6
ROSE	1985960-5
BLUE	1985960-4
GREEN	1985960-3
YELLOW	1985960-2
RED	1985960-1
KEYED HOUSING COLOR	PART NO.

THIS DRAWING IS A CONTROLLED DOCUMENT.		DWN B. BRIGGS 01APR2008	TE Connectivity			
DIMENSIONS: mm		CHK C. BENNETT 01APR2008				
TOLERANCES UNLESS OTHERWISE SPECIFIED:		APVD S. BUCHTER 01APR2008	NAME KIT, CONNECTOR, LightCrimp Plus LC SECURE, SIMPLEX, MM50XG, 250um-2.0mm JACKET			
0 PLC ± 1 PLC ± 2 PLC ± 3 PLC ± 4 PLC ± ANGLES ± FINISH		PRODUCT SPEC -	SIZE A2	CAGE CODE 00779	DRAWING NO 1985960	RESTRICTED TO -
MATERIAL -		WEIGHT -	SCALE 4:1		SHEET 1 OF 1	REV A
⚠		CUSTOMER DRAWING				

单击下面可查看定价，库存，交付和生命周期等信息

[>>TE Connectivity\(泰科\)](#)