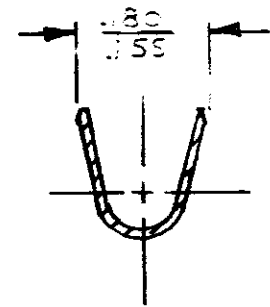
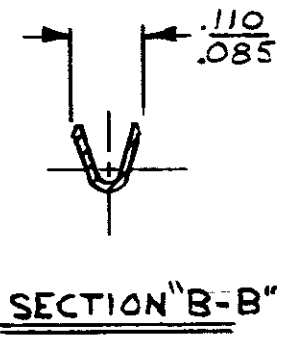
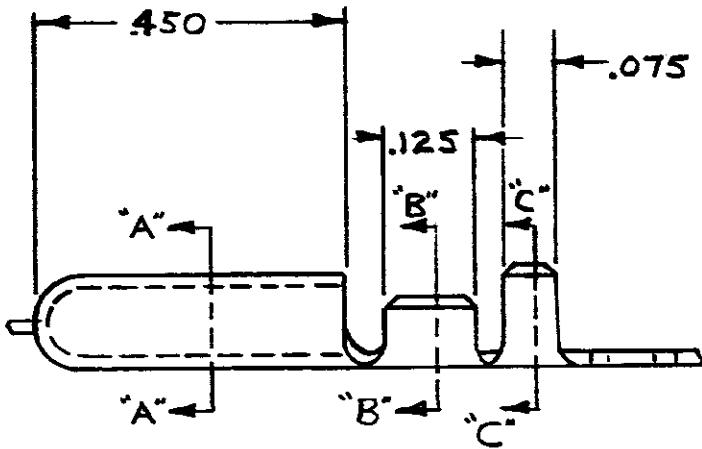
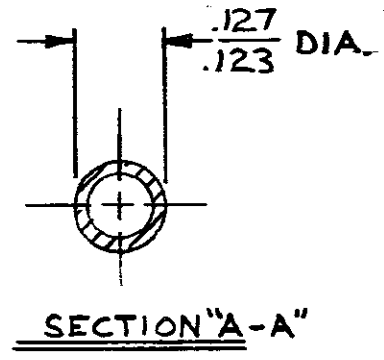
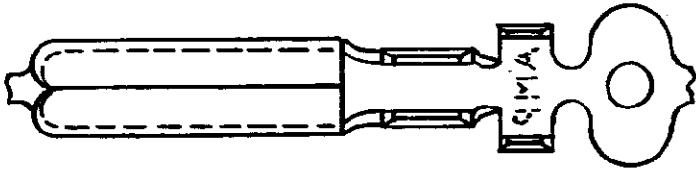


DRAWING MADE IN AMERICAN PROJECTION

NUMBER 62074

U

WAS P72-7244



CONTINUOUS STRIP OF WIRE

PART NUMBER

62074-1

Unpublished drawings are hereby acknowledged without written permission of AMP Incorporated.

©1972 BY AMP INCORPORATED. ALL RIGHTS RESERVED. AMP PRODUCTS COVERED BY PATENTS AND/OR PATENTS PENDING

CUSTOMER COPY REFERENCE ONLY

MATERIAL AND FINISH  
.016 BRASS  
NONE



AMP INCORPORATED  
HARRISBURG, PENNA.

CLASS ——— # ———

WIRE RANGE INSULATION  
24-20 1060-.03

TYPE ——— # ———

|     |                 |     |    |     |      |
|-----|-----------------|-----|----|-----|------|
| LTR | REVISION RECORD | ECN | DP | CHK | DATE |
|     |                 |     |    |     |      |

TOLERANCE EXCEPT AS NOTED  
± .015 ± 1° 0'

SCALE  
4-1

LOC AF A NO 62074

REV A

DR LK ESPENSHADE 8/8/72  
CHK PWS SMITH 4/6/72  
APP B. OLSSON 6-26-72

NAME .125 DIA. PIN

单击下面可查看定价，库存，交付和生命周期等信息

[>>TE Connectivity\(泰科\)](#)