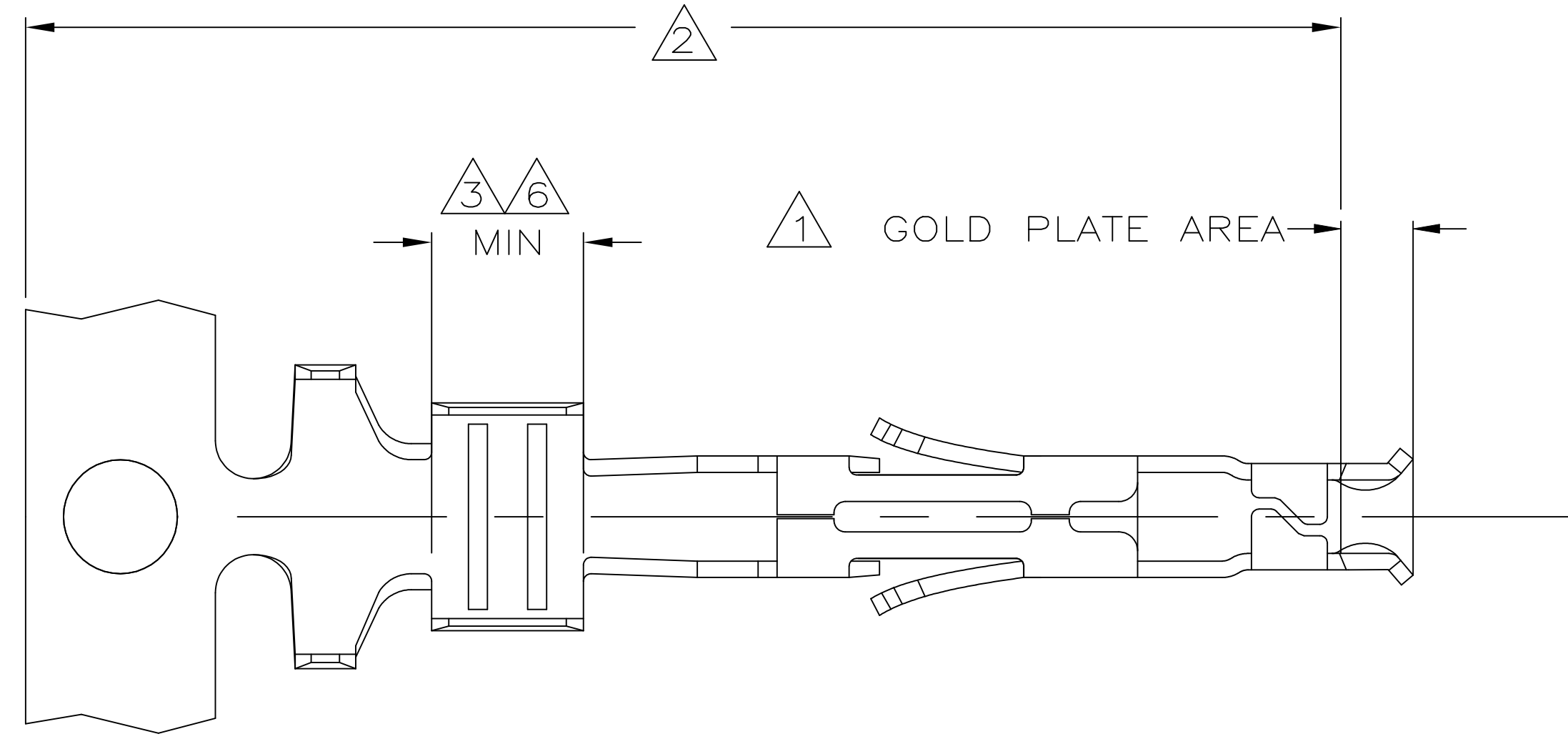
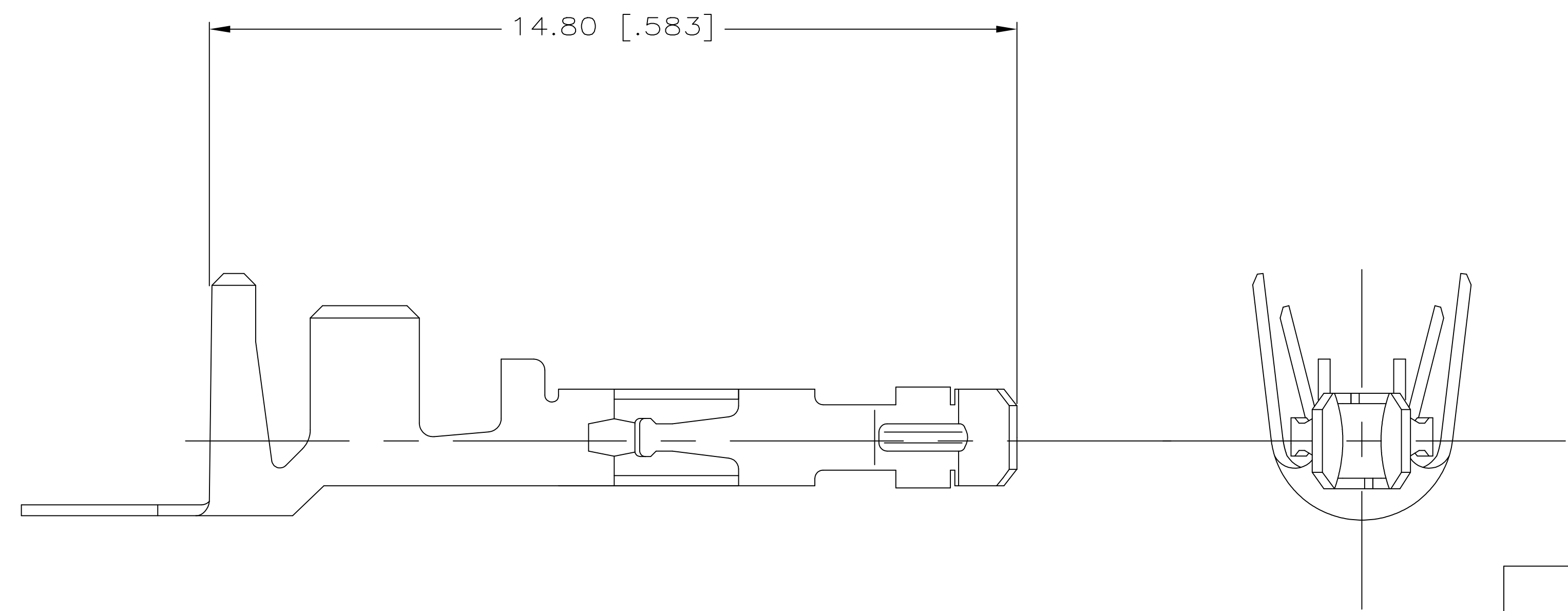


THIS DRAWING IS UNPUBLISHED. RELEASED FOR PUBLICATION
 © COPYRIGHT - TE Connectivity ALL RIGHTS RESERVED.

REVISIONS					
P	LTR	DESCRIPTION	DATE	DWN	APVD
	J	REVISED PER ECO-18-012589	13AUG2018	TZ	DZ



- △ 1 FINISH: 0.76µm MIN GOLD OVER 1.27µm MIN NICKEL REQUIRED ON INNER SURFACE, PERMITTED ON OUTER SURFACE.
- △ 2 FINISH: NICKEL BASE PLATE ON ALL SURFACES IN THIS AREA.
- △ 3 FINISH: 2.54µm MIN TIN-LEAD ON ALL SURFACES IN THIS AREA.
- 4. WIRE RANGE: (2) 0.8-0.9mm² (2 X 18 AWG)
(1) 1.2mm² (1 X 16 AWG)
- 5. INSULATION RANGE: 3.3 [.13] DIAMETER MAXIMUM FOR 2 X 18 AWG AND 3.0 [.12] DIAMETER FOR 1 X 16 AWG.
- △ 6 FINISH: 2.54µm MINIMUM TIN ON ALL SURFACES IN THIS AREA.



1-794143-3	△ 1 △ 2 △ 6	0.22 [.009] PHOS BRONZE	1-794140-3
794143-3	△ 1 △ 2 △ 3	0.22 [.009] PHOS BRONZE	794140-3
LOOSE PIECE (REF)	FINISH	MATERIAL	PART NUMBER

THIS DRAWING IS A CONTROLLED DOCUMENT.		DWN S. HOOVER 06-OCT-2004		
DIMENSIONS: mm [INCHES]		CHK D. COLEY 06-OCT-2004		
TOLERANCES UNLESS OTHERWISE SPECIFIED:		APVD D. COLEY 06-OCT-2004	NAME	
0 PLC ±	1 PLC ±	PRODUCT SPEC	CONTACT, SOCKET, AMP-DUAC™ POWER CONNECTOR	
2 PLC ± 0.10	3 PLC ±	APPLICATION SPEC	SIZE A2	CAGE CODE 00779
4 PLC ±	ANGLES ±	WEIGHT -	DRAWING NO C=794140	RESTRICTED TO -
MATERIAL SEE TABLE	FINISH SEE TABLE	CUSTOMER DRAWING	SCALE 10:1	SHEET 1 OF 1
			REV J	

单击下面可查看定价，库存，交付和生命周期等信息

[>>TE Connectivity\(泰科\)](#)