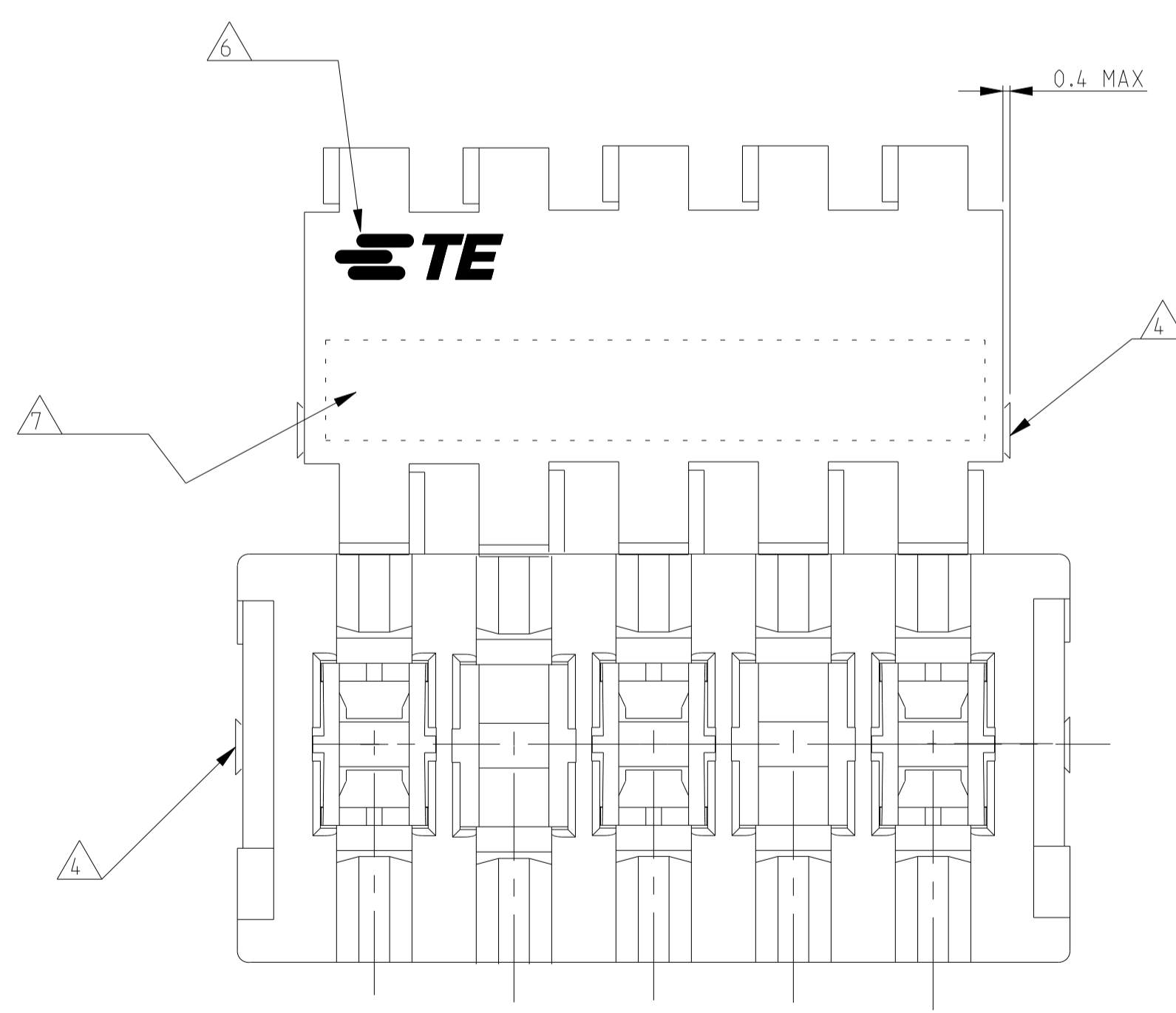
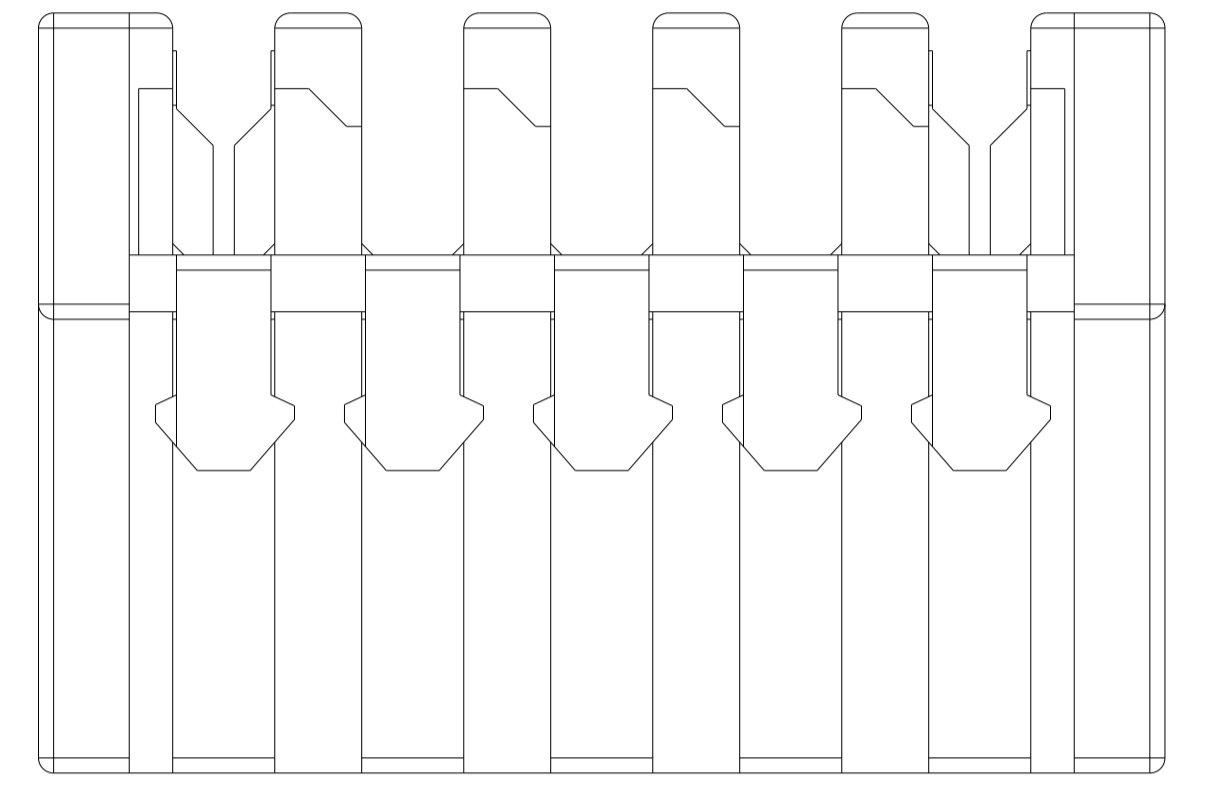
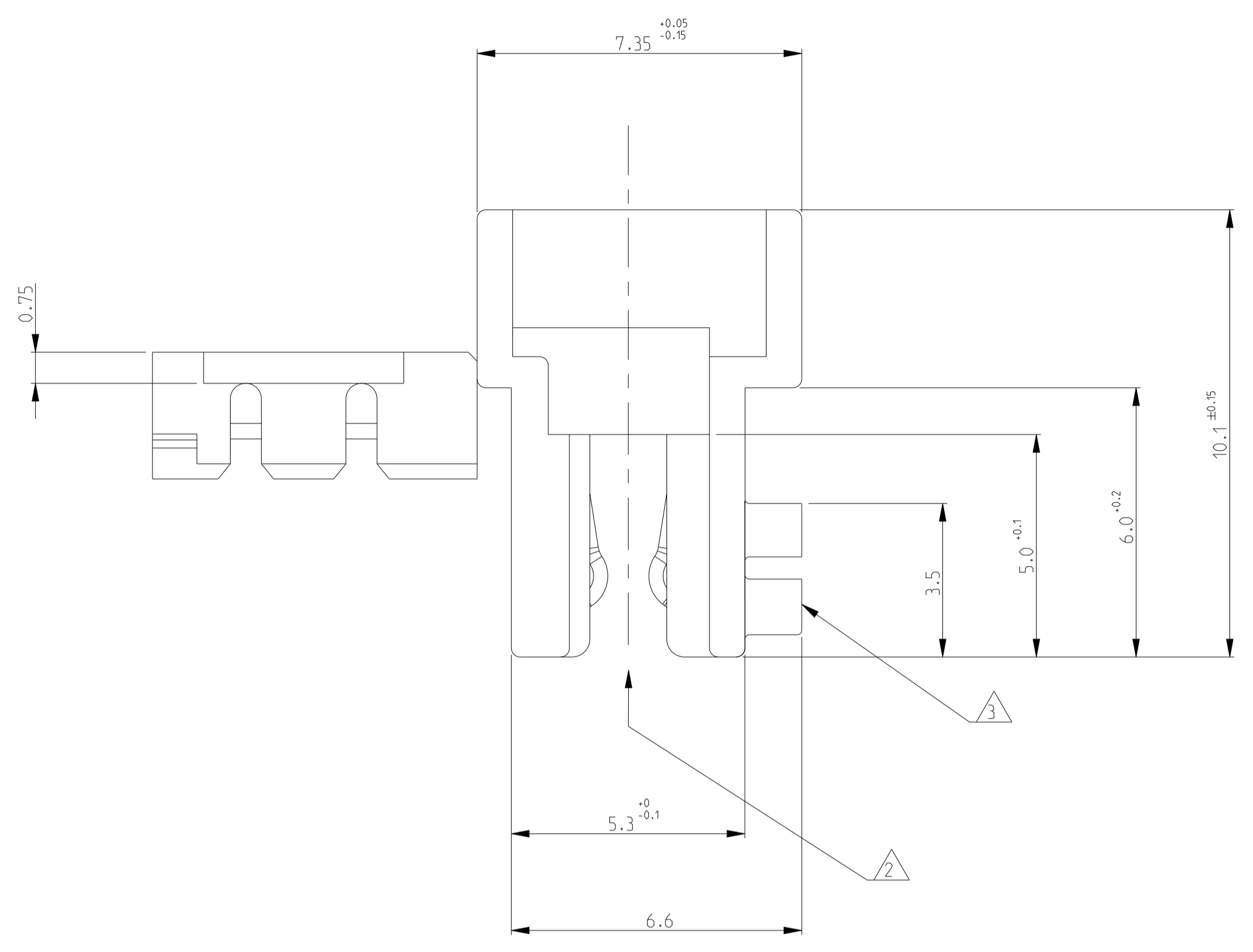
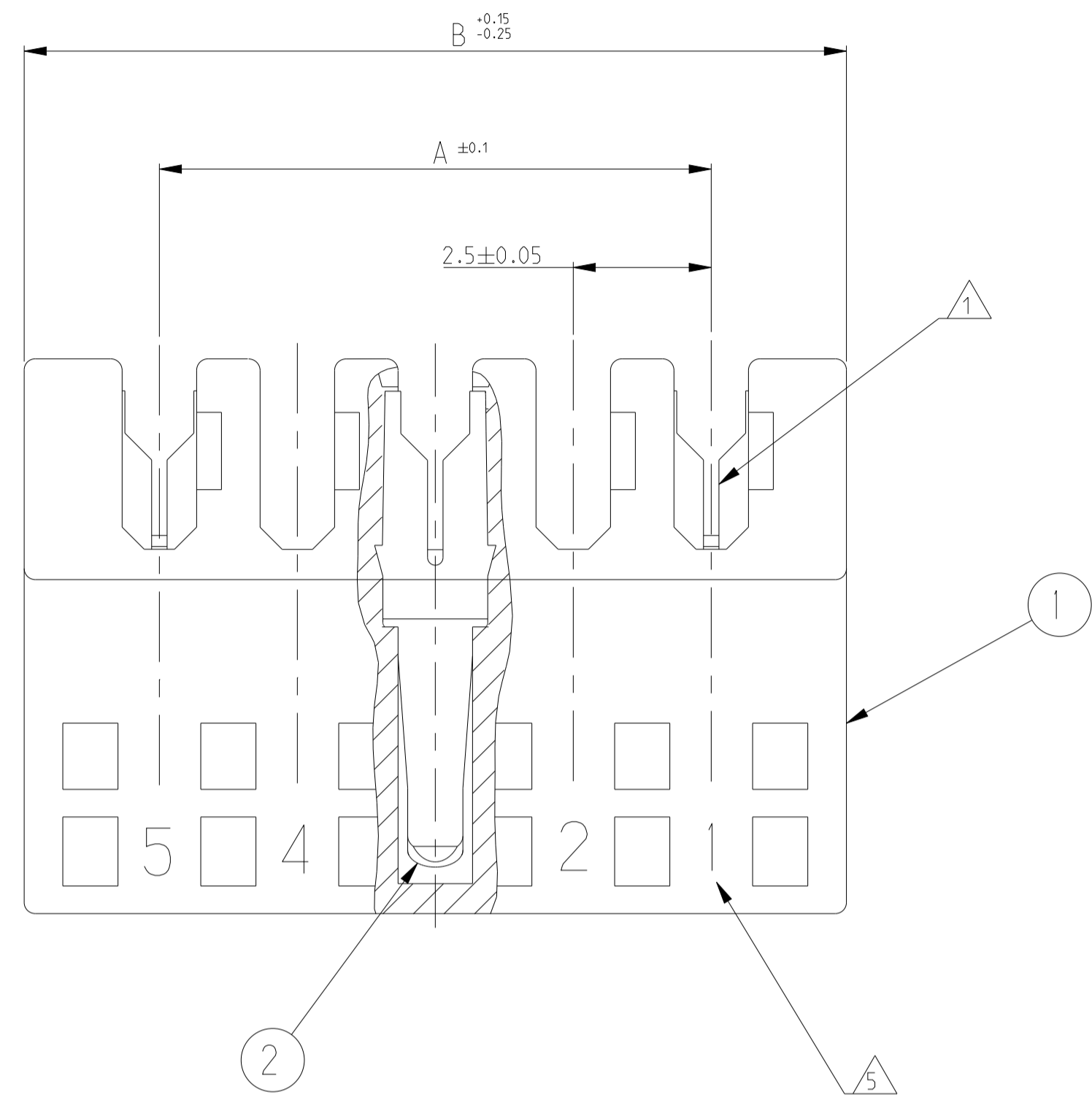
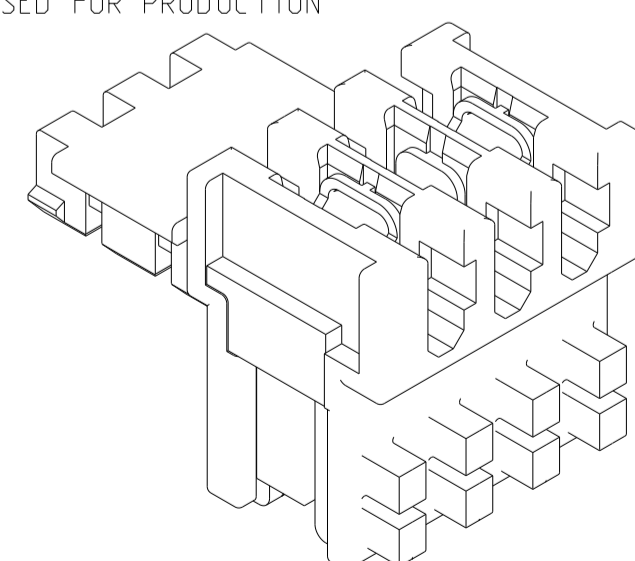


REVISONS		DATE	DMN	APVD
B1	ECR-20-101062	17DEC2020	SM	FL
B2	ECR-21-100273	25JAN2020	PJ	FL
B3	ECR-21-121338	23NOV2021	DC	FL
B4	ECR-21-122385	30NOV2021	DC	FL



- 1 WIRE RANGE : STRANDED 0.22-0.35 mm<sup>2</sup> (INS. DIA. 1.30±0.1)
- 2 MATING PART: TAB HEADER P/Ns 1971921, 1971922 AND EQUIVALENT;  
PCB FRAME P/N 964575 (PCB THK 1.5±0.14 COPPER CLADDING INCLUDED)  
SEE PRODUCT SPEC. 108-18056 FOR FRAME APPLICATION
- 3 KEYING RIBS TO BE REMOVED BY TERMINATION MACHINE
- 4 CUT OFF DIMENSION DUE TO PRODUCTION PROCESS
- 5 CIRCUIT No. IDENTIFICATION
- 6 TE TRADEMARK (OPTIONAL POSITION)
- 7 TAMPOGRAPHIC COLOUR CODE AREA  
(P/Ns IDENTIFICATION BEFORE CRIMPING)
- 8 -
- 9 PBT GF
- 10 PBT GF, UL94-V0 & GWEPT 750 NO-FLAME, NATURAL
- 11 PRELIMINARY PART, NOT YET RELEASED FOR PRODUCTION
- 12 ALTERNATIVE RESIN PBT GF
- 13 PART RELEASED WITH PARTIAL VALIDATION AND PENDING AGENCY APPROVALS



3D VIEW FOR REF. ONLY  
 3 POS. PN 0-284931-3 AS SHOWN  
 SCALE 5:1

COLOUR CODE	CONTACT LOADING	HSG POS.	KEYING	DIM.A	DIM.B	TE P/N	TE P/N	TE P/N
BLUE	SELECTIVELY 1,2,3,4,5,6,7,8,9,10,11,13	13	2/3	30.0	34.9	1-284931-3	2311506-3	1-2402729-3
-	SELECTIVELY 1,3,5,7,9,10,11	11	9/10	25.0	29.9	2-284931-1	-	2-2402729-1
BLUE	SELECTIVELY 1,3,5,7,9,11	11	-	25.0	29.9	1-284931-1	2-2311506-1	1-2402729-1
BLUE	SELECTIVELY 1,3,5,7,8,10	10	-	22.5	27.4	1-284931-0	1-2311505-0	1-2402729-0
GREEN	SELECTIVELY 1,3,4,6,8,9	9	-	20.0	24.9	2-284931-9	3-2311505-9	2-2402729-9
BLUE	SELECTIVELY 1,2,4,6,7,9	9	-	20.0	24.9	0-284931-9	2-2311505-9	2402729-9
GREEN	SELECTIVELY 1,3,4,6,7,8	8	-	17.5	22.4	2-284931-8	1-2311505-8	2-2402729-8
BLUE	SELECTIVELY 1,2,3,5,6,8	8	-	17.5	22.4	0-284931-8	2311505-8	2402729-8
GREEN	SELECTIVELY 1,3,5,6,7	7	-	15.0	19.9	2-284931-7	2-2311505-7	2-2402729-7
BLUE	SELECTIVELY 1,3,5,7	7	-	15.0	19.9	0-284931-7	1-2311505-7	2402729-7
BLUE	SELECTIVELY 1,2,4,6	6	-	12.5	17.4	1-284931-6	2-2311505-6	1-2402729-6
RED	SELECTIVELY 1,3,4,6	6	-	12.5	17.4	0-284931-6	1-2311505-6	2402729-6
GREEN	SELECTIVELY 1,2,3,5	5	-	10.0	14.9	4-284931-5	4-2311505-5	4-2402729-5
RED	SELECTIVELY 1,5	5	-	10.0	14.9	3-284931-5	3-2311505-5	3-2402729-5
-	SELECTIVELY 1,3,5	5	-	10.0	14.9	2-284931-5	2-2311505-5	2-2402729-5
OBSOLETE	SELECTIVELY 1,3,5	5	-	10.0	14.9	0-284931-5	-	-
RED	SELECTIVELY 1,3	3	2/3	5.0	9.9	5-284931-3	5-2311505-3	5-2402729-3
ORANGE	SELECTIVELY 1,3	3	-	5.0	9.9	4-284931-3	4-2311505-3	4-2402729-3
GREEN	SELECTIVELY 1,3	3	-	5.0	9.9	3-284931-3	3-2311505-3	3-2402729-3
-	SELECTIVELY 1,3	3	-	5.0	9.9	2-284931-3	2-2311505-3	2-2402729-3
BLUE	SELECTIVELY 1,3	3	-	5.0	9.9	0-284931-3	1-2311505-3	2402729-3

SEE TABLE	PH. BRONZE, TIN PLATED	IDC RECEPTACLE CONTACT	2
Q.TY	MATERIAL	DESCRIPTION	ITEM
1		REVISIONE DELL'ASSEMBLATO (REVISION OF EACH ASSY NOI)	
0.141 FOR ASSEMBLATO 0.141 FOR ASSY		ELENCO DEI COMPONENTI (PARTS LIST)	

THIS DRAWING IS A CONTROLLED DOCUMENT.		DMN R. FABRIS 27FEB2004	TE Connectivity DUOPLUG 2.5 FEMALE CONNECTOR STANDARD VERSION (SELECTIVELY LOADED)
DIMENSIONS: mm		APVD G. TURCO 27FEB2004	
TOLERANCES UNLESS OTHERWISE SPECIFIED:		PRODUCT SPEC	NAME
0 PLC	±0.2	108-18056	SIZE
1 PLC	±0.2	APPLICATION SPEC	CAGE CODE
2 PLC	±0.2	116-18049-1	DRAWING NO
3 PLC	±0.2	WEIGHT	RESTRICTED TO
4 PLC	±0.2		
ANGLES	±		
FINISH	±		

单击下面可查看定价，库存，交付和生命周期等信息

[>>TE Connectivity\(泰科\)](#)