

4

3

2

1

THIS DRAWING IS UNPUBLISHED.

RELEASED FOR PUBLICATION

20

© COPYRIGHT 20 BY -

ALL RIGHTS RESERVED.

REVISIONS

P	LTR	DESCRIPTION	DATE	DWN	APVD
A		INITIAL RELEASE	06APR2015	GY	CW
B		ECR-15-013759	12OCT2015	DW	CW
B1		ECR-16-015492	16NOV2016	QY	CW
C		ECR-21-106515	09JUL2021	SQ	CW

PANEL CUT FOR INSERTS FOR USING
WITHOUT HOODS/ HOUSINGS

不使用防护外壳时芯件的安装开孔图

4X M3 SCREW, RECOMMENDED
TIGHTENING TORQUE 0.5Nm
4X M3螺丝, 推荐锁紧力矩0.5Nm

M4 SCREW, RECOMMENDED
TIGHTENING TORQUE 1.2Nm
M4螺丝, 推荐锁紧力矩1.2Nm


NOTES:

- TECHNICAL CHARACTERISTICS:
INSULATION MATERIAL: PC
RATED VOLTAGE: 500V
RATED CURRENT: 16A
INSULATION RESISTANCE: $\geq 400M\Omega$
RATED IMPULSE VOLTAGE: 6KV
POLLUTION DEGREE: 3
FLAMMABILITY: UL94V-0
MATING CYCLES: 500 CYCLES
WIRE RANGE: $0.14mm^2 \sim 4mm^2$ (AWG26-AWG12)
CONTACT TYPE: CRIMP CONTACT
- CONTACTS NEED TO BE ORDERED SEPARATELY.
(ORDER No. REFER TO DRAWING: T20300X20XX000)

注释:

- 技术参数:
绝缘材料: PC
额定电压: 500V
额定电流: 16A
绝缘电阻: $\geq 400M\Omega$
脉冲电压: 6KV
污染等级: 3
阻燃等级: UL94V-0
插拔次数: 500次
接线范围: $0.14mm^2 \sim 4mm^2$ (AWG26-AWG12)
接线类型: 冷压接
- 端子需要单独订购。
(订货号参考图面: T20300X20XX000)

TYPE-1, T2040064201-000, TE LOGO
类型-1, T2040064201-000, TE LOGO

THIS DRAWING IS A CONTROLLED DOCUMENT.		DWN	Gino.Yao	06APR2015	 TE Connectivity						
DIMENSIONS: mm		CHK	Chris.Wang	06APR2015							
TOLERANCES UNLESS OTHERWISE SPECIFIED:		APVD	Xiang.Xu	06APR2015							
0 PLC \pm - 1 PLC \pm - 2 PLC \pm - 3 PLC \pm - 4 PLC \pm - ANGLES \pm -		PRODUCT SPEC	NAME			HE-006-FC					
MATERIAL		APPLICATION SPEC		SIZE		CAGE CODE	DRAWING NO	RESTRICTED TO			
-		114-137044		A3		00779	T2040064201000	-			
-		WEIGHT		Customer Drawing		SCALE	1:1	SHEET	1 OF 2	REV	C

1470-19 (3/13)

Downloaded From Oneyac.com

THIS DRAWING IS UNPUBLISHED.

RELEASED FOR PUBLICATION

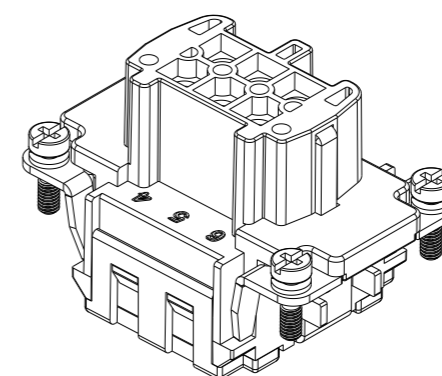
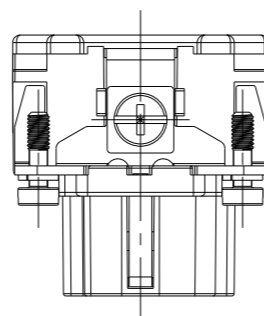
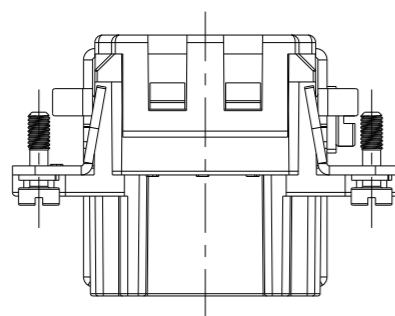
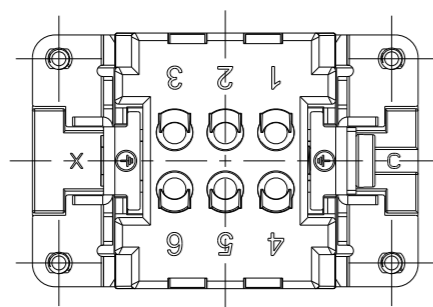
20

© COPYRIGHT 20 BY -

ALL RIGHTS RESERVED.

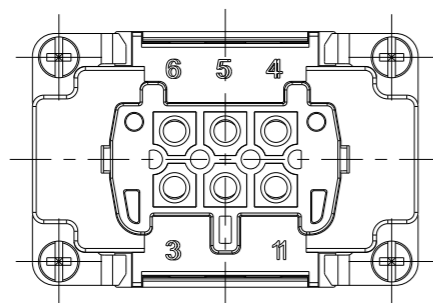
REVISIONS

P	LTR	DESCRIPTION	DATE	DWN	APVD
-		SEE SHEET 1	-	-	-



NOTE:
SEE SHEET 1


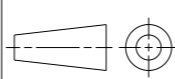
注释:
见页 1



TYPE-2, T2040064201-001, STAINLESS STEEL SCREW, NO LOGO
类型-2, T2040064201-001, 不锈钢螺丝, 无LOGO

ALL SPEC DIMENSION REFER TO TYPE 1
所有产品规格尺寸参照 TYPE 1

T2040064201-001	HE-006-FC	HE-006 FEMALE INSERT, CRIMPING, STAINLESS STEEL SCREW, NO LOGO HE-006母插, 冷压针, 不锈钢螺丝, 无LOGO	TYPE-2 类型-2
T2040064201-000	HE-006-FC	HE-006 FEMALE INSERT, CRIMPING HE-006母插, 冷压针	TYPE-1 类型-1
PART NUMBER 料号	PART DESCRIPTION 描述		TYPE 类型

THIS DRAWING IS A CONTROLLED DOCUMENT.		DWN Gino.Yao 06APR2015	 TE Connectivity				
DIMENSIONS: mm		CHK Chris.Wang 06APR2015			NAME HE-006-FC		
TOLERANCES UNLESS OTHERWISE SPECIFIED:		APVD Xiang.Xu 06APR2015			PRODUCT SPEC 108-137044		
		3 PLC ±- 1 PLC ±- 2 PLC ±- 3 PLC ±- 4 PLC ±- ANGLES ±-	APPLICATION SPEC 114-137044	SIZE A3	CAGE CODE 00779	DRAWING NO T2040064201000	RESTRICTED TO -
MATERIAL -		FINISH -	WEIGHT -	SCALE 1:1		SHEET 2 OF 2	REV C
Customer Drawing							

单击下面可查看定价，库存，交付和生命周期等信息

[>>TE Connectivity\(泰科\)](#)