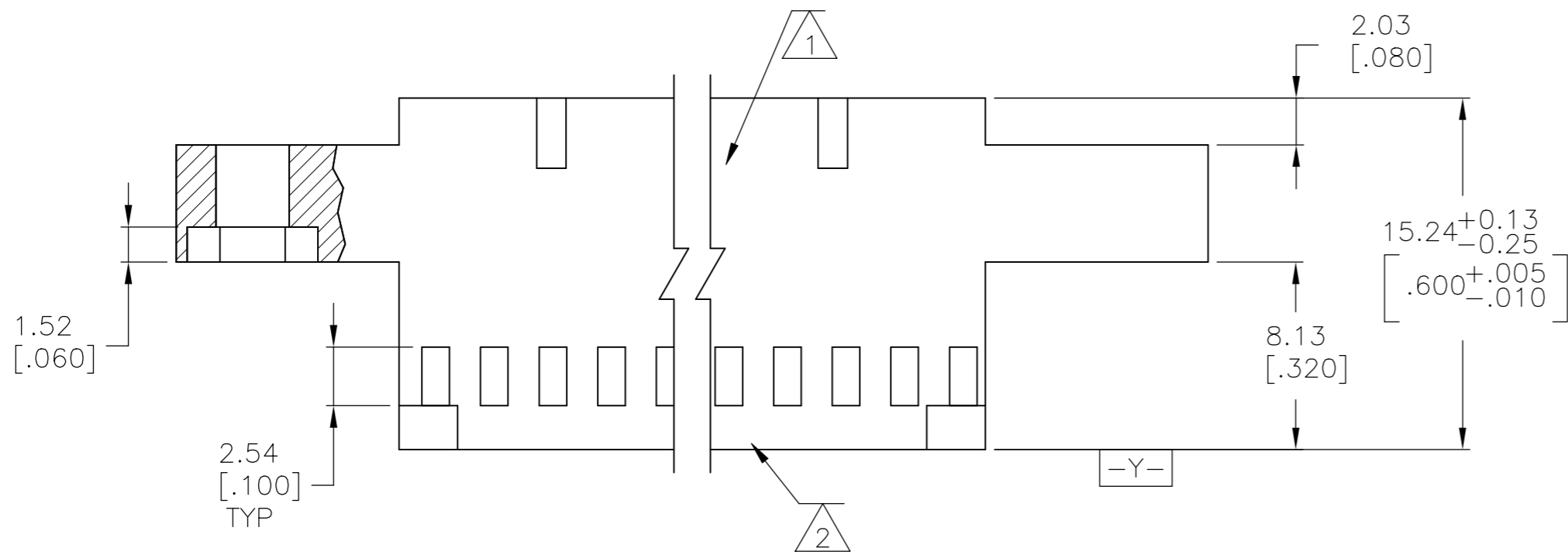
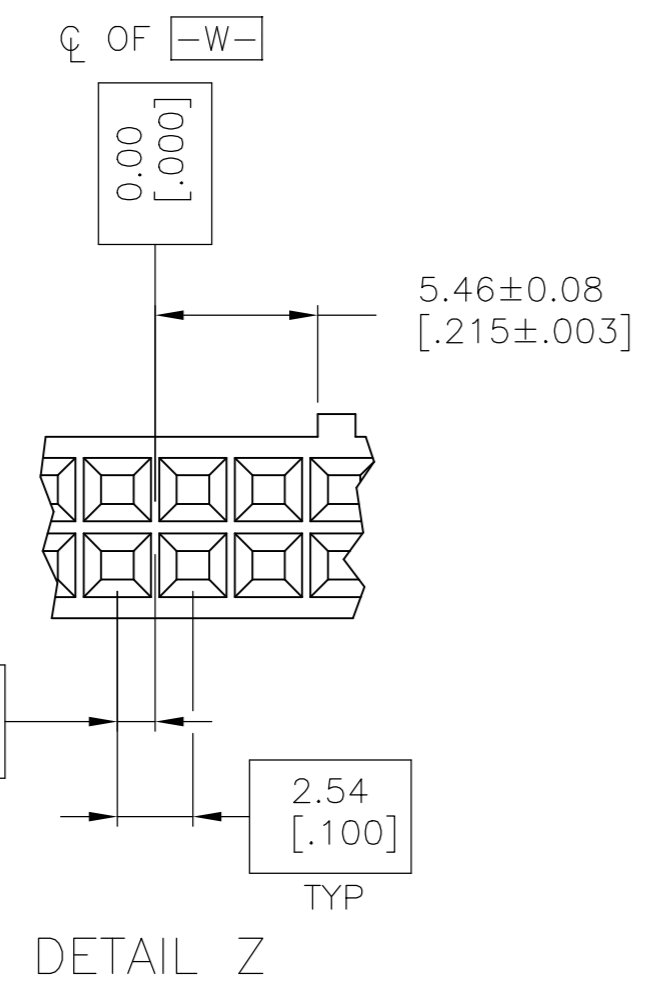
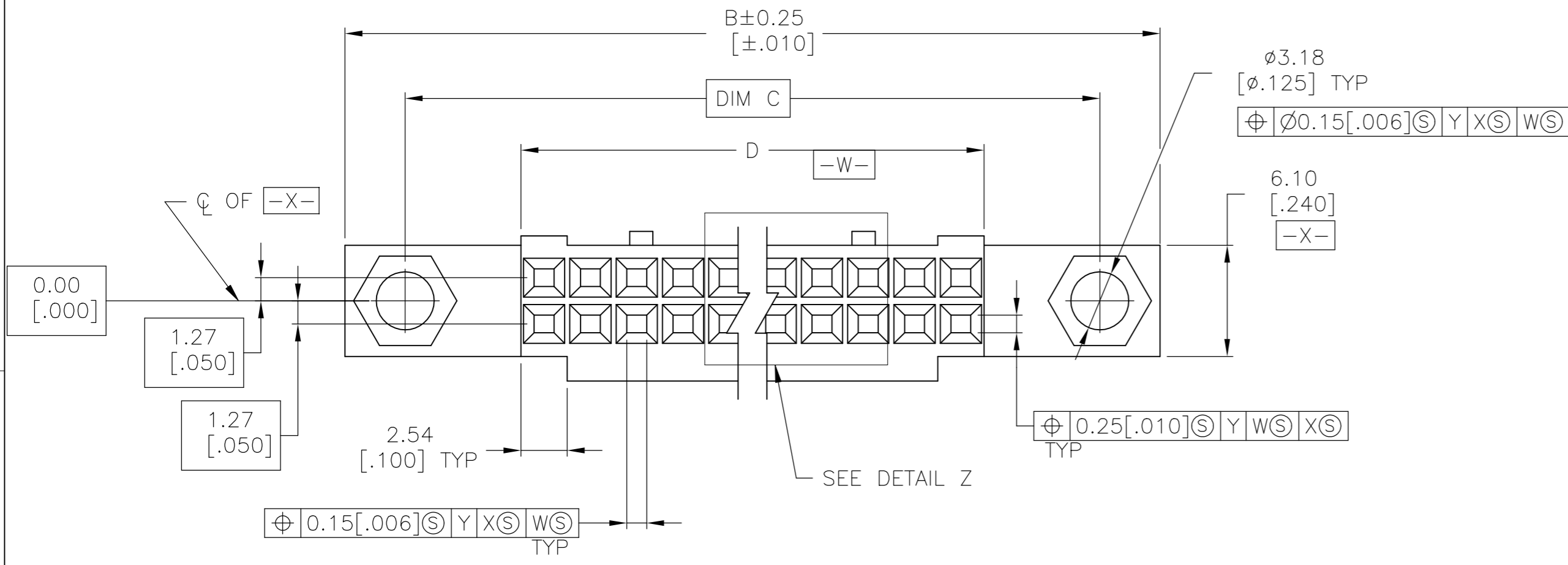


THIS DRAWING IS UNPUBLISHED.
 RELEASED FOR PUBLICATION
 ALL RIGHTS RESERVED.
 © COPYRIGHT -

REVISIONS					
P	LTR	DESCRIPTION	DATE	DWN	APVD
E4		REVISED PER ECO-10-019624	25SEP10	HMR	JO
F		REVISED PER ECO-18-000976	13APR2018	RS	JO



- 1 MARKED IN AREA SHOWN
- 2 MARKED CAVITY IDENT, SECOND AND EVERY FIFTH CAVITY AS SHOWN IN APPROX. AREA SHOWN
- 3 OBSOLETE PARTS: OBSOLETE CIS STREAMLINING PER D.RENAUD/D.SINISI



50.80 [2.000]	63.50 [2.500]	70.10 [2.760]	19	40	104855-6
40.64 [1.600]	53.34 [2.100]	59.94 [2.360]	15	32	104855-4
30.48 [1.200]	43.18 [1.700]	49.78 [1.960]	11	24	104855-2
D	C	B	A	NO OF POSN	PART NUMBER

THIS DRAWING IS A CONTROLLED DOCUMENT.

DWN S. SHUEY 7-1-92
 CHK J. GESFORD 7-9-92
 APVD J. GESFORD 7-9-92

STE TE Connectivity Ltd.

NAME HSG, PLZ WITH MTG EARS, DBL ROW, 2.54[.100]x2.54[.100] C/L MOD IV

SIZE A2 CAGE CODE 00779 DRAWING NO. C-104855 RESTRICTED TO -

MATERIAL FLAME RETARDANT GLASS FILLED NYLON COLOR-BLACK PER ASTM D4066 FINISH - WEIGHT -

CUSTOMER DRAWING SCALE 4:1 SHEET 1 OF 1 REV F

单击下面可查看定价，库存，交付和生命周期等信息

[>>TE Connectivity\(泰科\)](#)