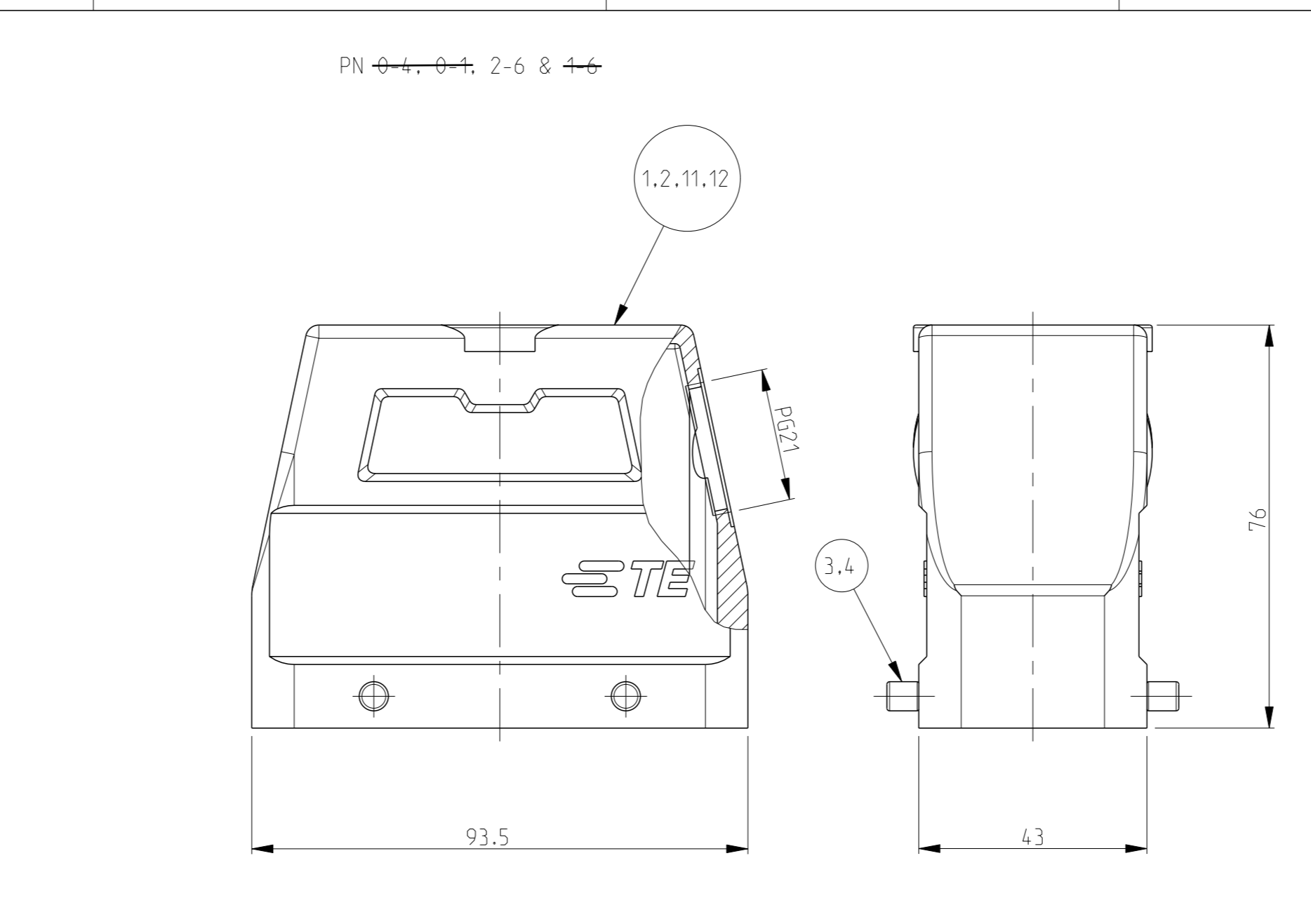
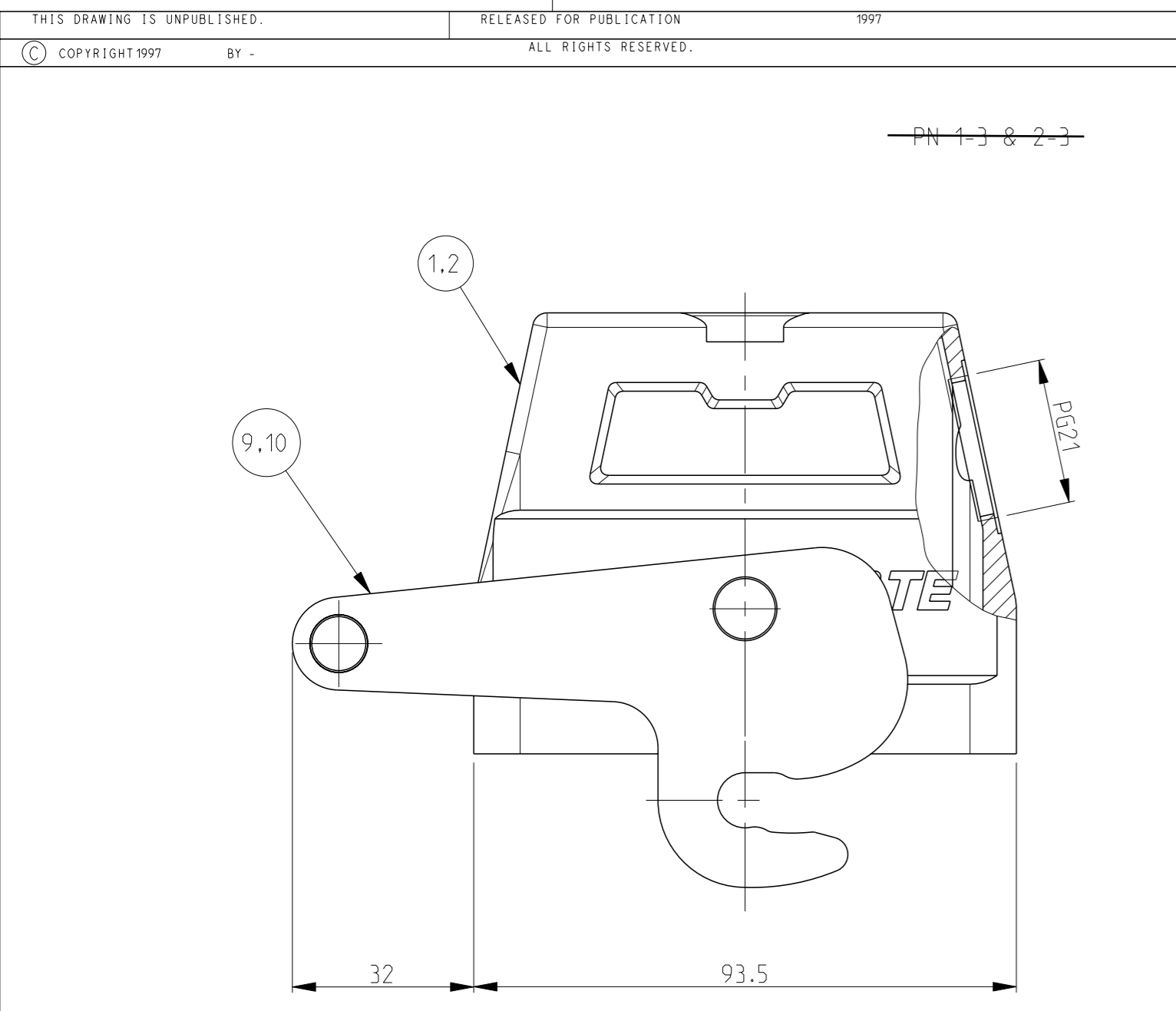
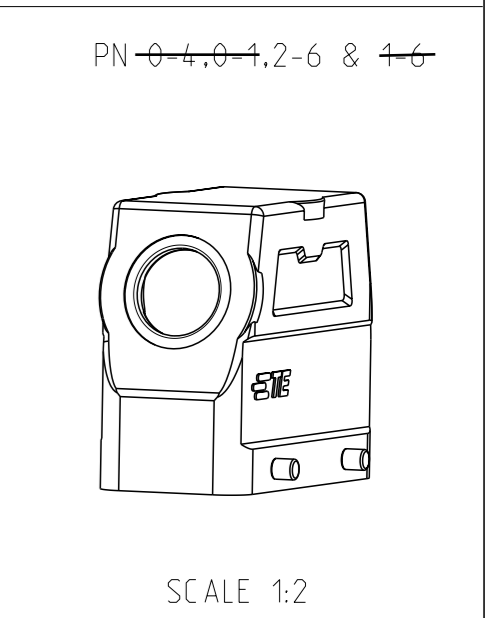
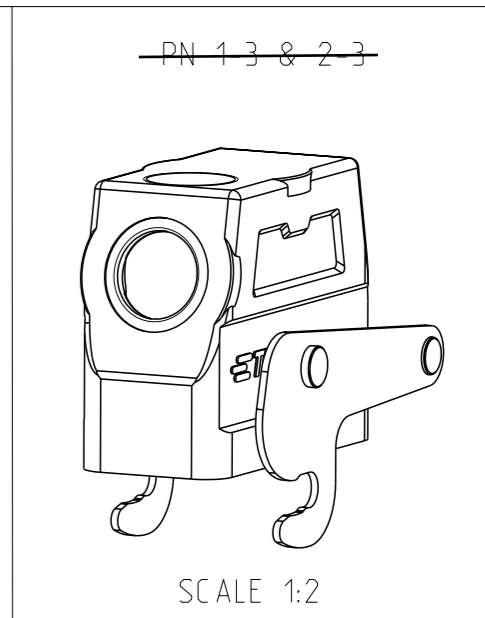
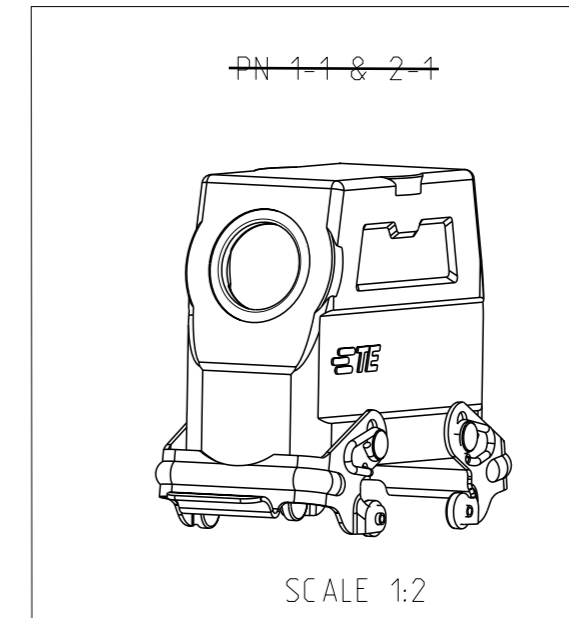
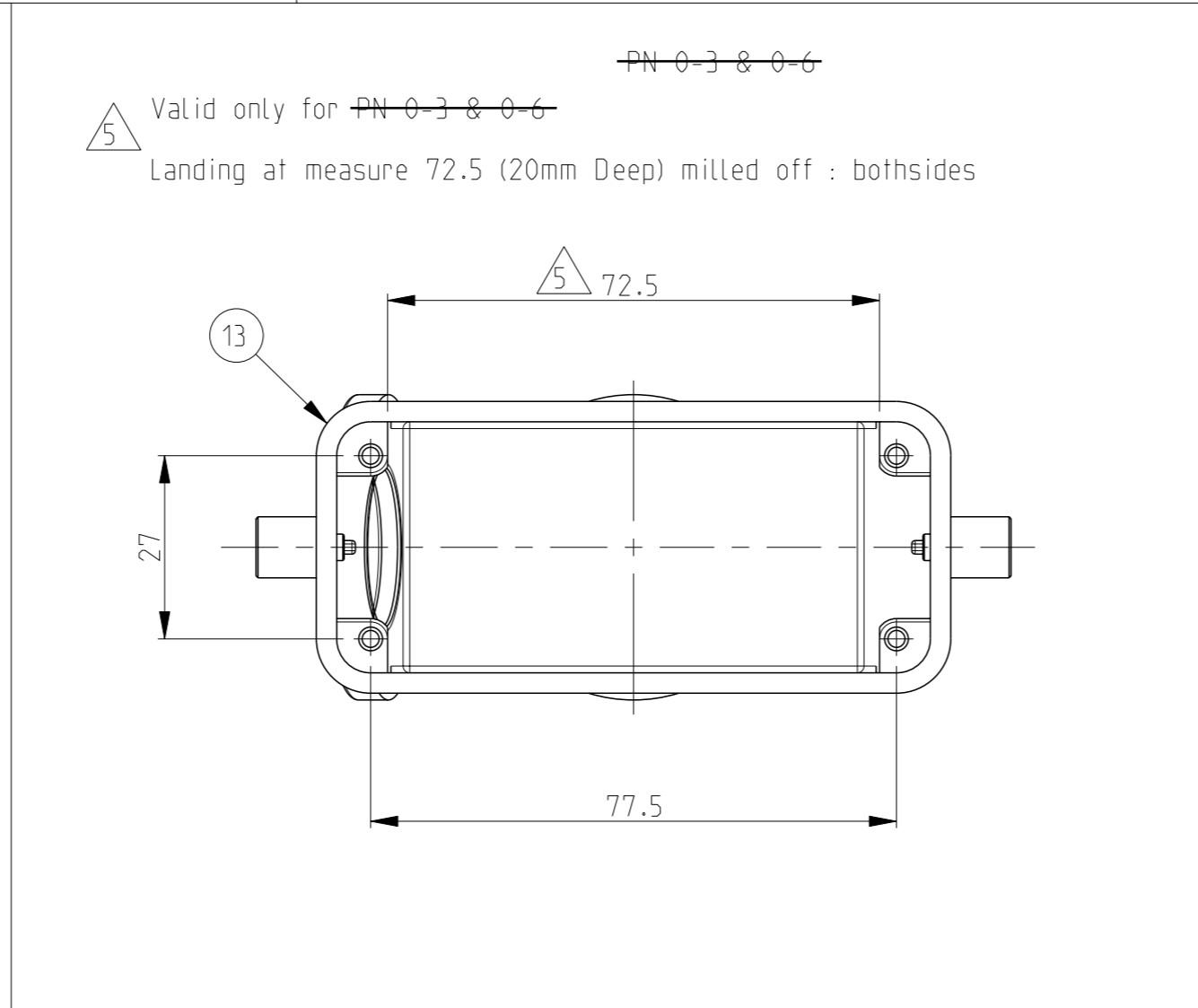
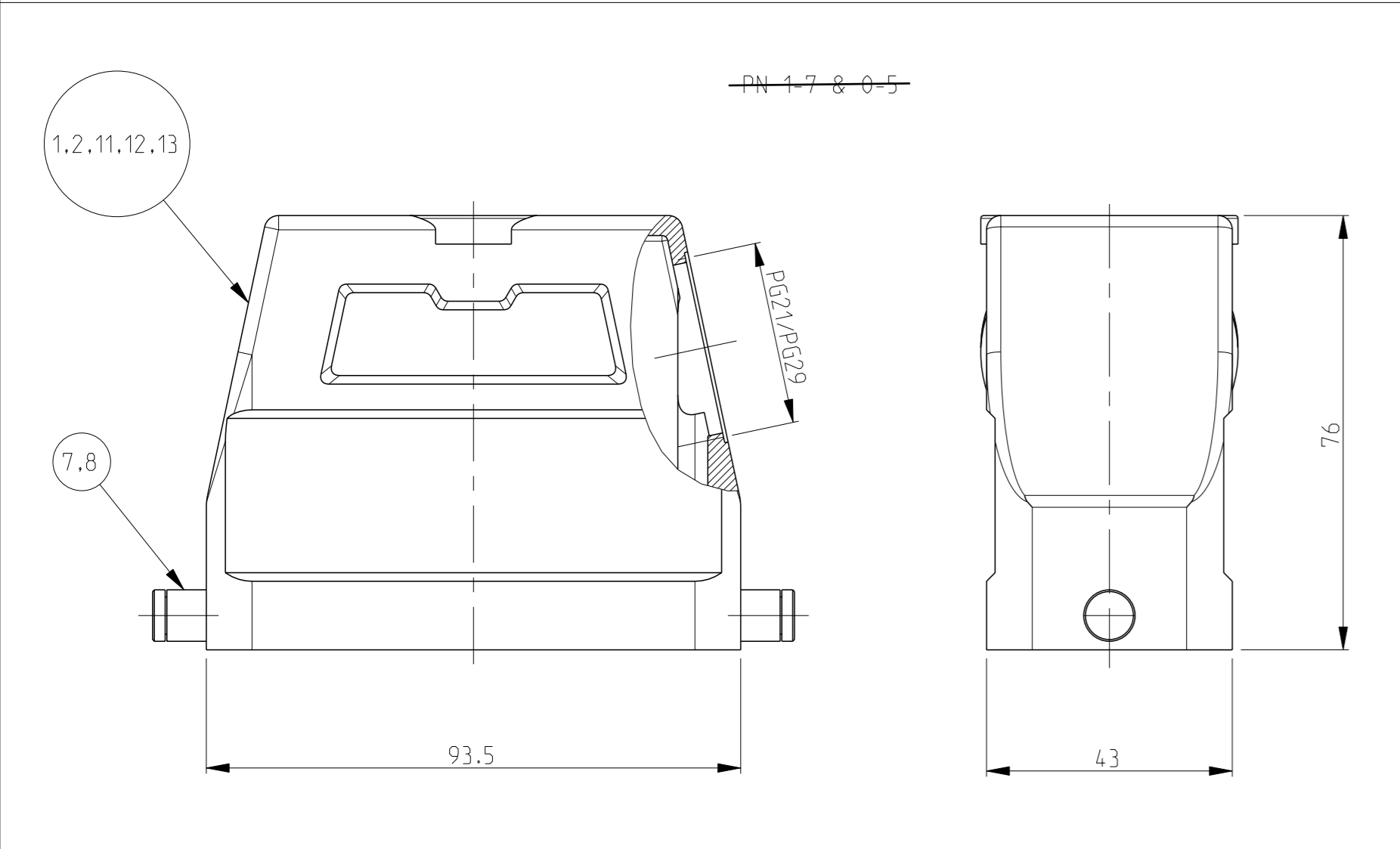


REVISIONS					
P	CLM	DESCRIPTION	DATE	OWN	APVD
A10		ECR-16-015318	19SEP2017	GR	MKO
A11		ECR-16-016768	19SEP2017	GR	MKO
A12		ECR-17-013084	29MAR18	SG	MKO

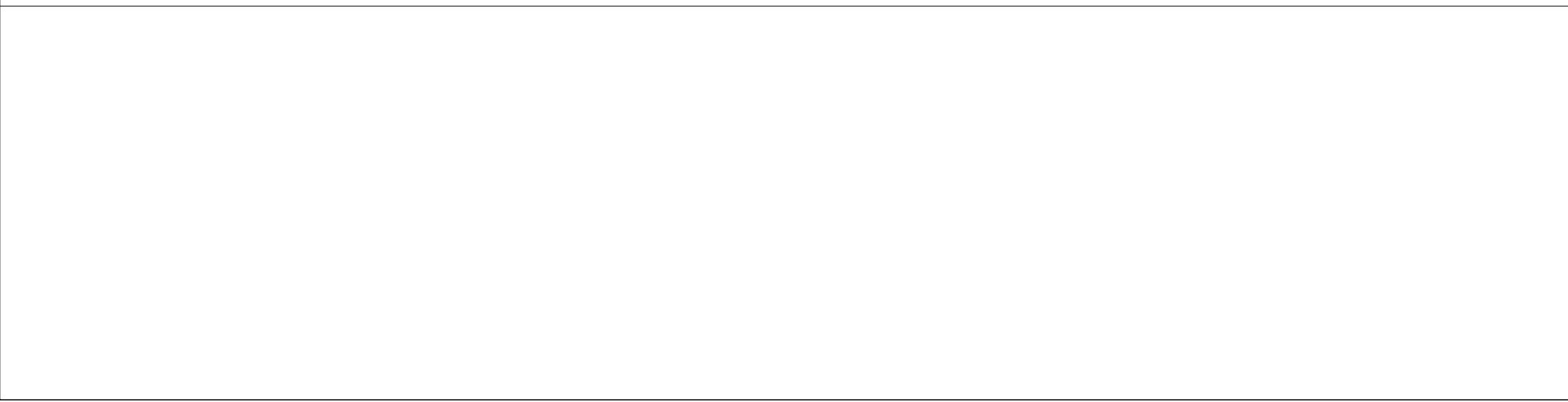
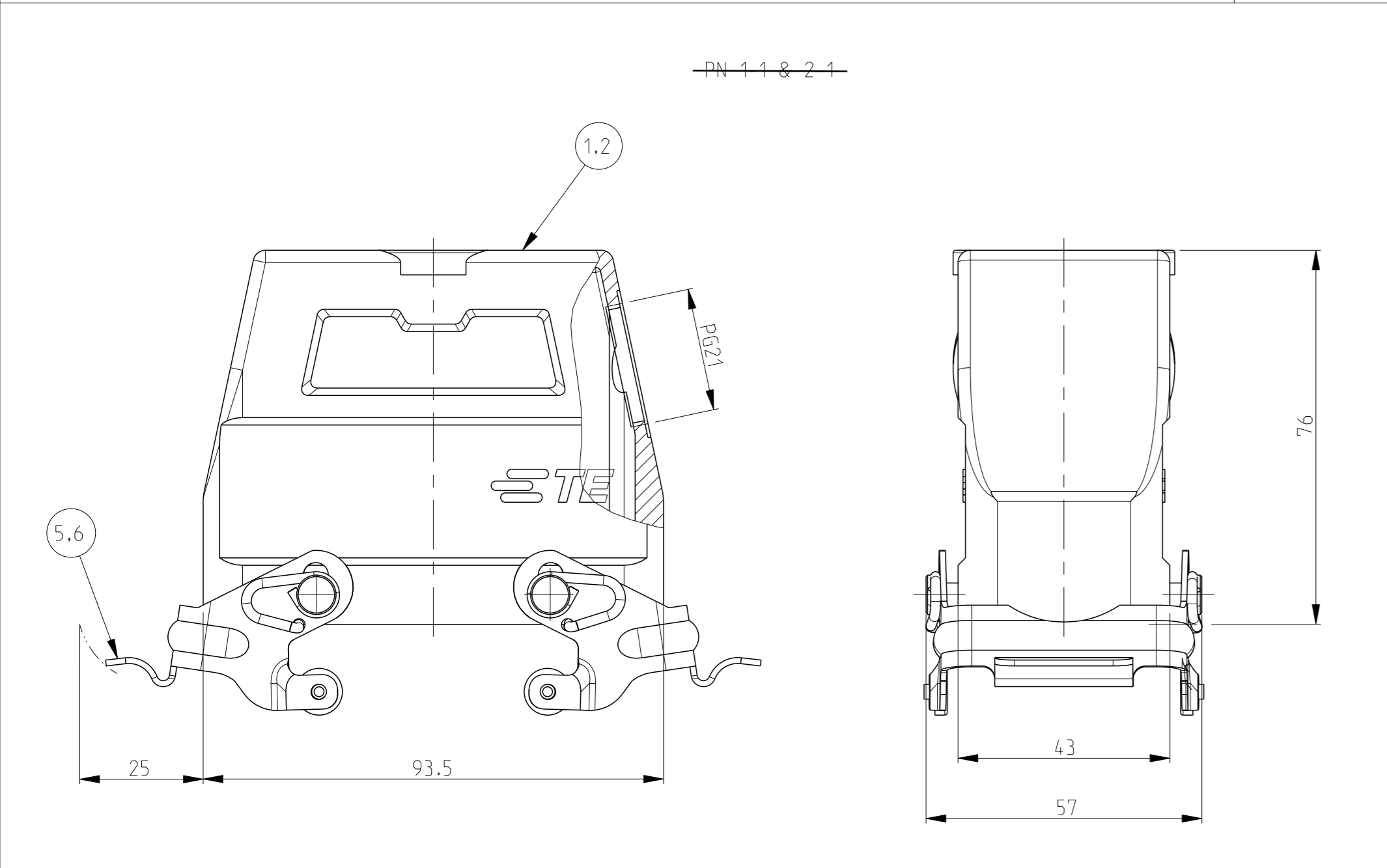


NOTES

- 1 Material: Housing: aluminium diecasting alloy
- 2 Surface:- powder vannish-grey
Varnish black
- 3 Varnish on the inside not necessarily
- 4 Packaging quantity 5 piece



OBSOLETE		OBSOLETE	OBSOLETE	OBSOLETE	OBSOLETE	OBSOLETE	OBSOLETE					OBSOLETE	
1	1	1	1	1	1	1	1	DESCRIPTION	MATERIAL	SURFACE	COLOR	ITEM NO	NOTES
								HD-K Hood	Aluminium	Aluminium oxide	Black	13	Landing machined
								HD Hood	Aluminium	-	Grey	12	With out PG/with out TE-Logo
								HD Hood	Aluminium	-	Grey	11	With out PG
								ZB-Central clip	Stainless Steel	-	-	10	-
								ZB-Central clip	Steel	Zinc plated	Blue	9	-
								LB-Clip bolt	Stainless Steel	-	-	8	-
								LB-Clip bolt	Steel	Zinc plated	Blue	7	-
								VS-Locking clip	Stainless Steel	-	-	6	-
								VS-Locking clip	Steel	Zinc plated	Blue	5	-
								VS-Clip bolt	Stainless Steel	-	-	4	-
								VS-Clip bolt	Steel	Zinc plated	Blue	3	-
								HD-K Hood	Aluminium	Aluminium oxide	Black	2	-
								HD Hood	Aluminium	-	Grey	1	-
0-6	0-5	0-4	0-3	0-2	0-1	2-3	1-3	2-7	1-7	2-1	1-1	2-6	1-6
ORDERING TEXT													
HD.40.STS.1.21.G													
HD-K.40.STS.1.21.G													
HD.40.STS-VS.1.21.G													
HD-K.40.STS-VS.1.21.G													
HD.40.STS-GR.1.21.G													
HD-K.40.STS-GR.1.21.G													
HD-Z.40.STS-ZB.1.21.G													
HD-K/Z.40.STS-ZB.1.21.G													
HD.40.ST													
HD.40.ST-GR													
HD-K.40.STS-GR.1.21.G													
HD.40.ST													
HD.40.ST-GR													
HD-K.40.STS-GR.1.21.G													



THIS DRAWING IS A CONTROLLED DOCUMENT.		DWN: Schneider 19.12.1997	TE Connectivity		
DIMENSIONS: mm		CHK: Kramer 26.06.1998	NAME: HOOD		
TOLERANCES UNLESS OTHERWISE SPECIFIED:		PRODUCT SPEC: -		SIZE: A1	
0 DIM: ±	1 DIM: ±	APPLICATION SPEC: -		CAGE CODE: 00779	
2 DIM: ±	3 DIM: ±	WEIGHT: -		DRAWING NO: C=1102564	
4 DIM: ±	5 DIM: ±	CUSTOMER DRAWING: -		SHEET 1 OF 1	
SCALE: 1:1		REV: A12		RESTRICTED TO: -	

单击下面可查看定价，库存，交付和生命周期等信息

[>>TE Connectivity\(泰科\)](#)