

THIS DRAWING IS UNPUBLISHED.

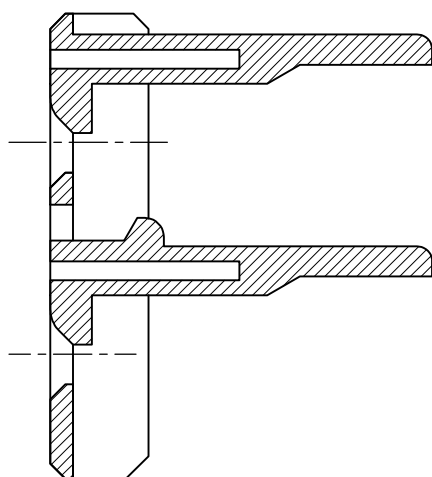
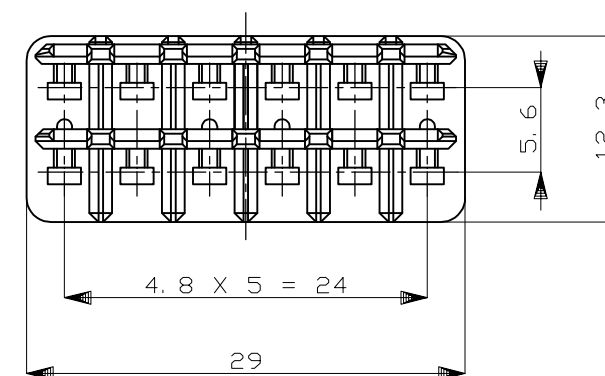
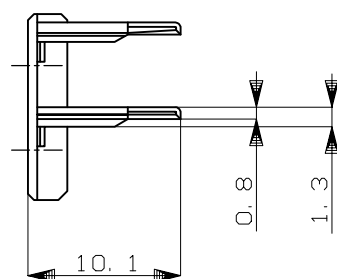
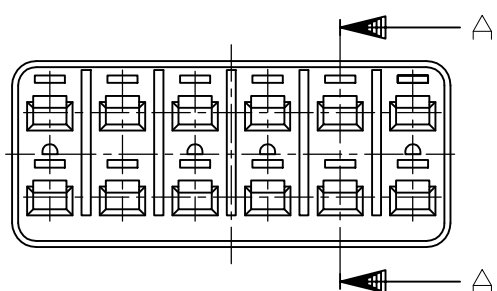
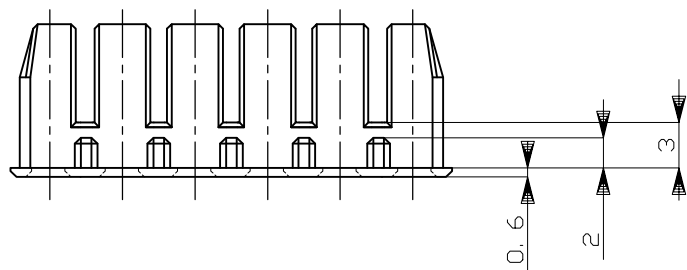
RELEASED FOR PUBLICATION

ALL RIGHTS RESERVED.

© COPYRIGHT - By -

REVISIONS

| P | LTR | DESCRIPTION | DATE          | DWN       | APVD  |
|---|-----|-------------|---------------|-----------|-------|
|   | B2  | REVISED     | ECR-18-009736 | 22JUN2018 | TS HY |




SECTION  
断面 A-A  
(尺度 5:1)

1. 本品は、プラグハウジング型番174661及び2822638に装着される

1. TO BE MATED WITH PLUG HOUSING PART NUMBER 174661 AND 2822638

|  |                  |                     |
|--|------------------|---------------------|
| HB                                       | 自然色<br>(NATURAL) | 1-174662-1          |
| V-2                                      | 黄<br>(YELLOW)    | 174662-7            |
| 使用材料難燃グレード<br>(FLAMMABILITY OF MATERIAL) | 色<br>(COLOR)     | 型番<br>(PART NUMBER) |

|  |  |                               |   |                    |                        |
|--|--|-------------------------------|---|--------------------|------------------------|
| THIS DRAWING IS A CONTROLLED DOCUMENT.   |  | DWN<br>K.ODA<br>5/2587        |  <b>TE Connectivity Ltd.</b> |                    |                        |
| DIMENSIONS:<br>mm  |  | CHK<br>Y.MATSUSAKA<br>5/28'87 |   |                    |                        |
| TOLERANCES UNLESS OTHERWISE SPECIFIED:   |  | APVD<br>M.NOGUCHI<br>11/4'88  | NAME<br>12P. ECONOSEAL J-MARKII+ CONNECTOR<br>DOUBLE LOCK PLATE FOR PLUG HOUSING                                  |                    |                        |
| 0 PLC ± -<br>1 PLC ± -<br>2 PLC ± -<br>3 PLC ± -<br>4 PLC ± -<br>ANGLES ± -                          |  | PRODUCT SPEC<br>108-5262      | SIZE<br>A3  |                    |                        |
| MATERIAL<br>PBT  |  | FINISH<br>-                   | APPLICATION SPEC<br>-   | CAGE CODE<br>00779 | DRAWING NO<br>C-174662 |
| GENERAL TOLERANCE<br>0 < * ≤ 10 : ±0.2<br>10 < * ≤ 30 : ±0.25<br>30 < * ≤ 100 : ±0.3<br>ANGLES : ±3° |  | WEIGHT<br>1 g                 | RESTRICTED TO<br>-  |                    | SCALE<br>2:1           |
| CUSTOMER DRAWING   |  |                               | SHEET<br>1 OF 1   |                    | REV<br>B2              |

单击下面可查看定价，库存，交付和生命周期等信息

[>>TE Connectivity\(泰科\)](#)