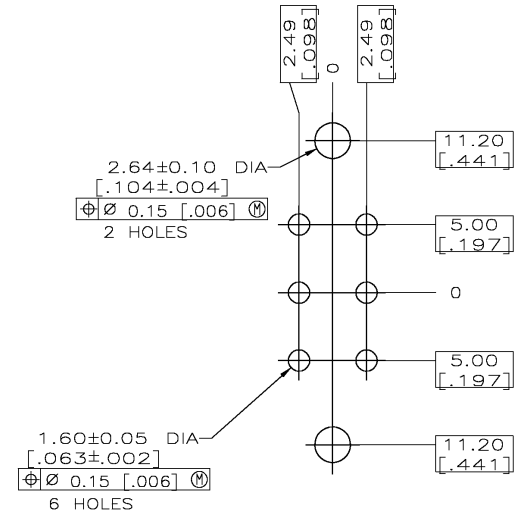
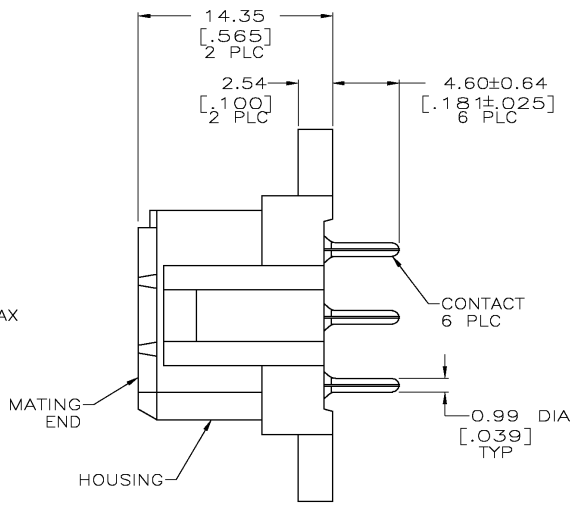
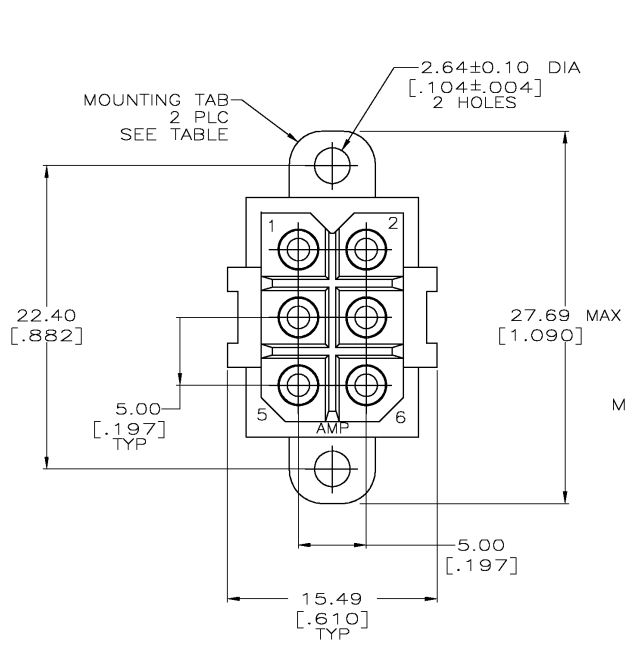


THIS DRAWING IS UNPUBLISHED. RELEASED FOR PUBLICATION. ALL RIGHTS RESERVED. BY TYCO ELECTRONICS CORPORATION.

LOC	DISP	REVISIONS			
P	LTN	DESCRIPTION	DATE	DNW	APVD
N		063B-0397-03	12MAY03	TK	GS



RECOMMENDED LAYOUT

- ▲ NYLON, UL 94-V0 RATED, RED.
- ▲ PHOSPHOR BRONZE.
- ▲ 3.81μm [.000150] MIN TIN-LEAD OVER 1.27μm [.000050] MIN NICKEL.
- ▲ 0.76μm [.000030] MIN GOLD FOR A LENGTH OF 4.95 [.195] MIN FROM MATING END, 3.81μm [.000150] MIN TIN-LEAD FOR A LENGTH OF 4.88 [.192] MIN ON OPPOSITE END, BOTH OVER 1.27μm [.000050] MIN NICKEL.
- ▲ 3.81μm [.000150] MIN TIN OVER 1.27μm [.000050] MIN NICKEL.

CONTACT FINISH	MOUNTING TABS	PART NO
5	YES	207524-7
4	NO	207524-4
4	YES	207524-3
3	NO	207524-2
3	YES	207524-1

THIS DRAWING IS A CONTROLLED DOCUMENT.		DNW L SIPE 03/20/92	Tyco Electronics Corporation Harrisburg, Pa
DIMENSIONS: INCHES		GR R STONE 3-25-92	
TOLERANCES UNLESS OTHERWISE SPECIFIED:		APVD A TRAVIS 3-25-92	SOCKET HEADER ASSEMBLY, 6 POSITION, METRIMATE
0 PLC ± -		PRODUCT SPEC 108-10033	
1 PLC ± -		APPLICATION SPEC	SIZE: A2
2 PLC ± 0.25 [010]		WEIGHT	AGE CODE: 00779
3 PLC ± -		RESTRICTED TO	DRAWING NO: 207524
4 PLC ± -			
ANGLES ± -			
MATERIAL HOUSING: 1	CONTACT: SEE TABLE	CUSTOMER DRAWING	SCALE: 4:1 SHEET 1 OF 1 REV N

AMP 1471-9 REV 31MAR2000

H:\drrmad\

单击下面可查看定价，库存，交付和生命周期等信息

[>>TE Connectivity\(泰科\)](#)