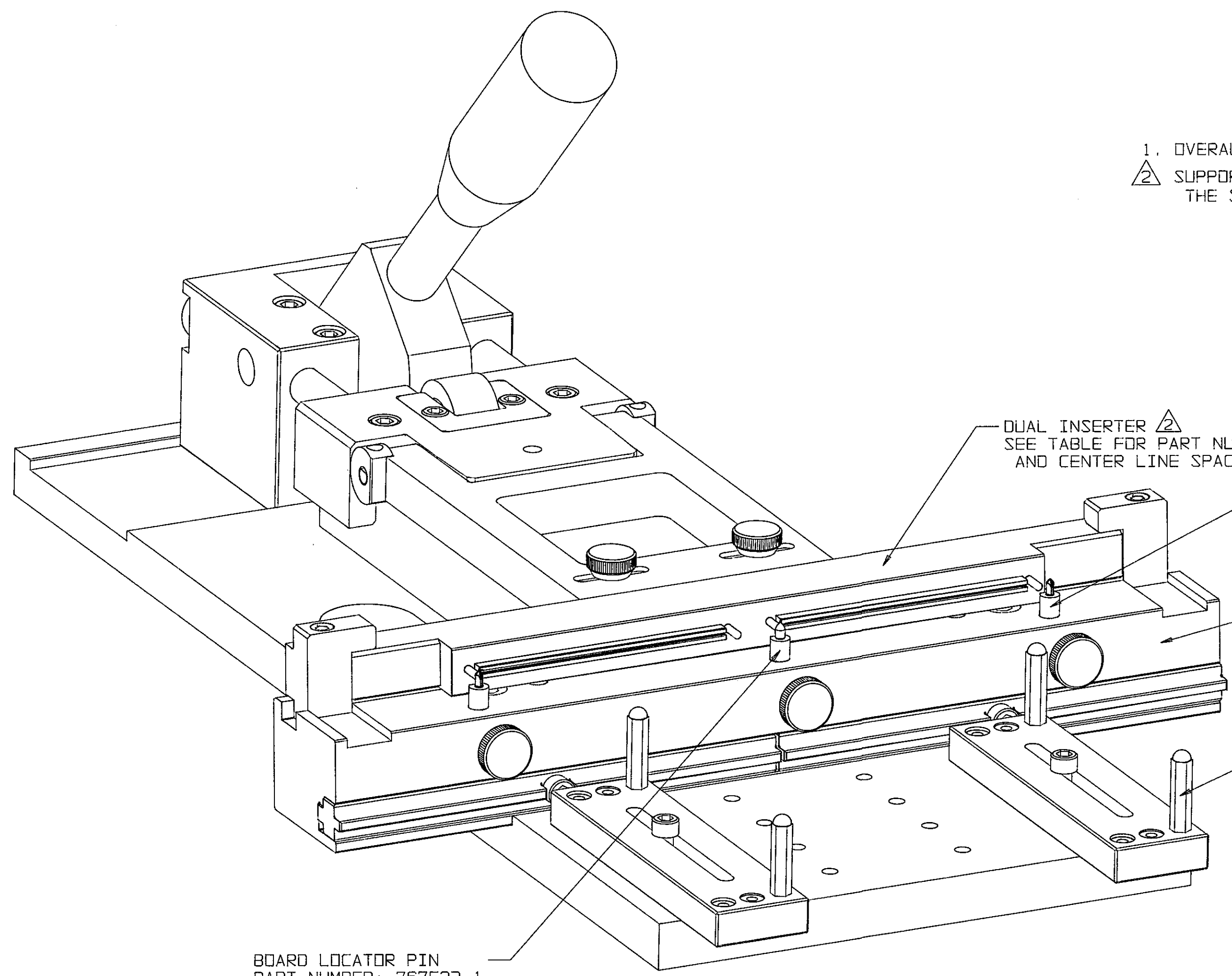


THIS DRAWING IS UNPUBLISHED. RELEASED FOR PUBLICATION .19  
 © COPYRIGHT 19 BY AMP INCORPORATED. ALL RIGHTS RESERVED.

LOC		DIST		REVISIONS				
P	LTR	DESCRIPTION	DATE	OWN	APVD			
AD	47	A	REVISED PER EC 0430-0011-98	2-2-98	JG	SS		



1. OVERALL DIMENSIONS: L - 16.1, W - 9.2, H - 8.3.  
 2. SUPPORT BLOCK SUB ASSEMBLY AND INSERTER MUST HAVE THE SAME DASH NUMBER.

DUAL INSERTER  
 SEE TABLE FOR PART NUMBER AND CENTER LINE SPACING

BOARD LOCATOR PIN, DIAMOND HEAD  
 PART NUMBER: 767526-1  
 QUANTITY: 2

SUPPORT BLOCK SUB ASSEMBLY  
 SEE TABLE FOR PART NUMBER

SUPPORT PILLAR  
 PART NUMBER: 767522-1  
 QUANTITY: 4

BOARD LOCATOR PIN  
 PART NUMBER: 767523-1  
 QUANTITY: 1

767594

B

767594-1  
 PART NUMBER

767596-7	767592-7	2.706
767596-6	767592-6	2.800
767596-5	767592-5	2.750
767596-4	767592-4	2.700
767596-3	767592-3	2.650
767596-2	767592-2	2.600
767596-1	767592-1	2.550
PART NUMBER	PART NUMBER	CENTER LINE
SUPPORT BLOCK SUB-ASSY	INSERTER	

THIS DRAWING IS A CONTROLLED DOCUMENT.

OWN J. GERACE 9-19-97	AMP Incorporated Harrisburg, PA 17105-3608
CHK S. STRICKLER 9-19-97	
APVD A. MONK 9-19-97	
PRODUCT SPEC -	NAME DUAL APPLICATION TOOL, RIGHT ANGLE CONNECTOR, MICTOR
APPLICATION SPEC -	SIZE A2 CAGE CODE 00779 DRAWING NO. C-767594
WEIGHT -	SCALE - SHEET 1 OF 1 REV A
CUSTOMER DRAWING	

单击下面可查看定价，库存，交付和生命周期等信息

[>>TE Connectivity\(泰科\)](#)