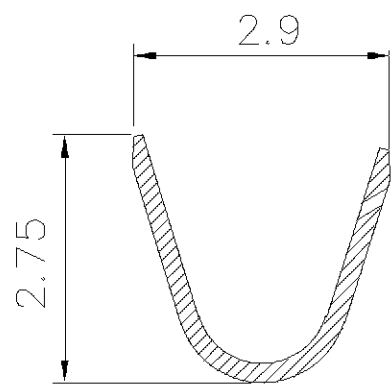
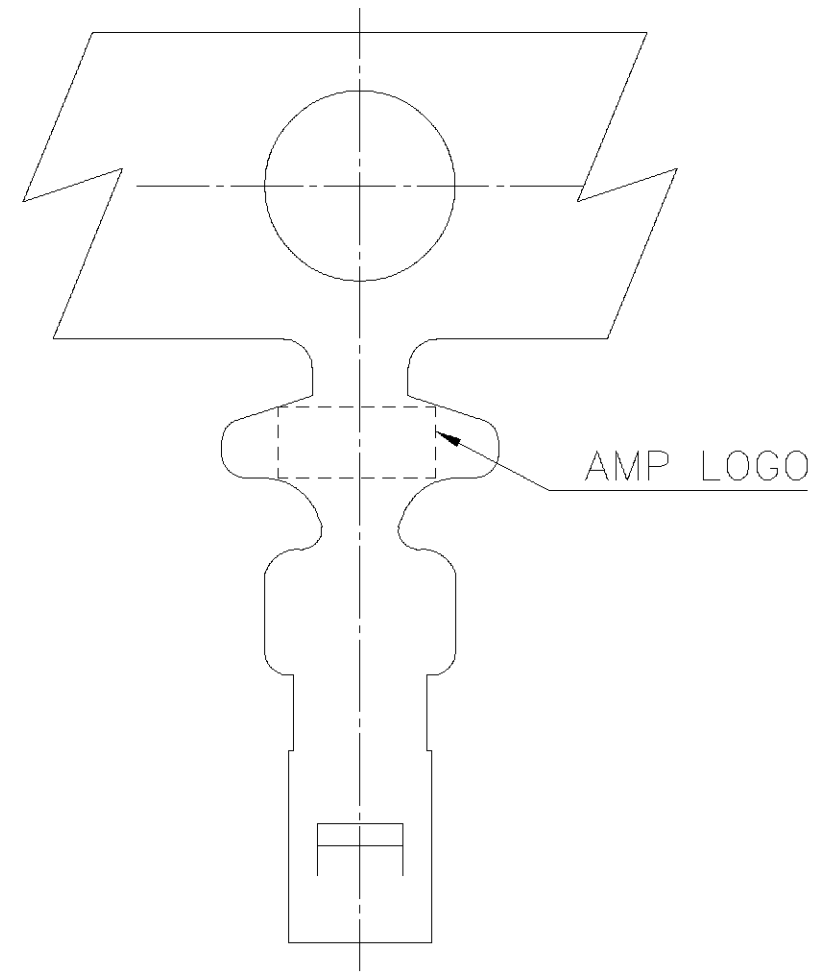
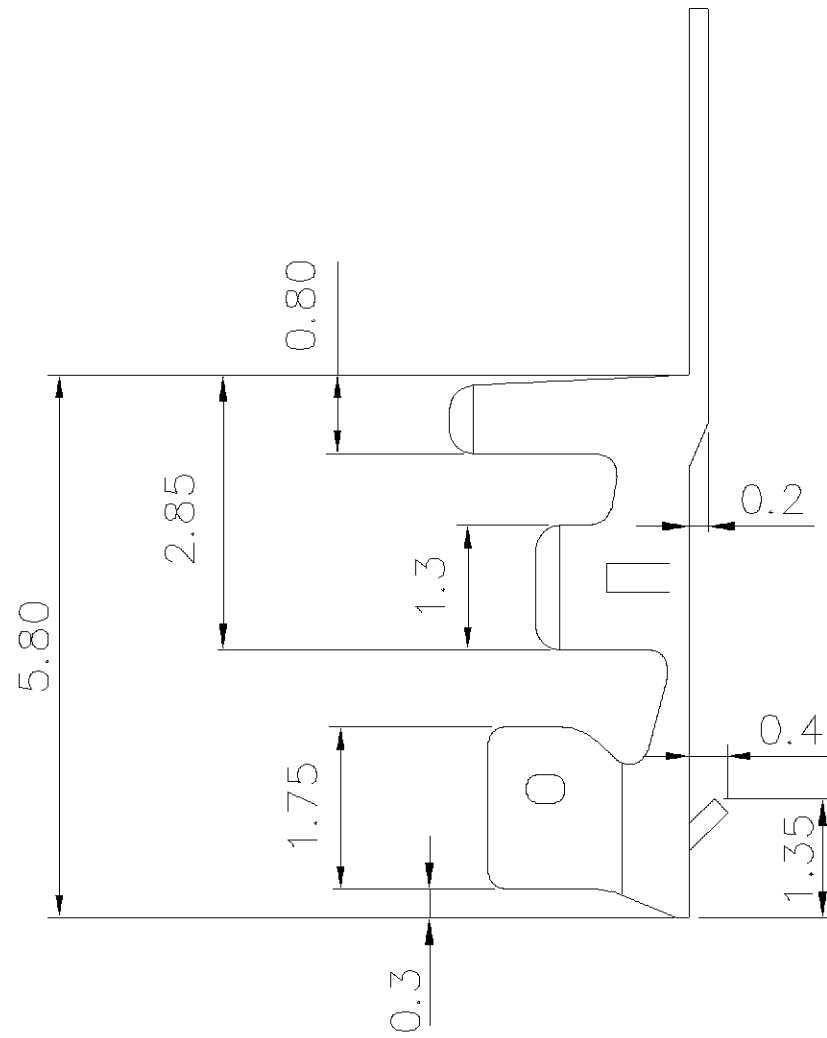
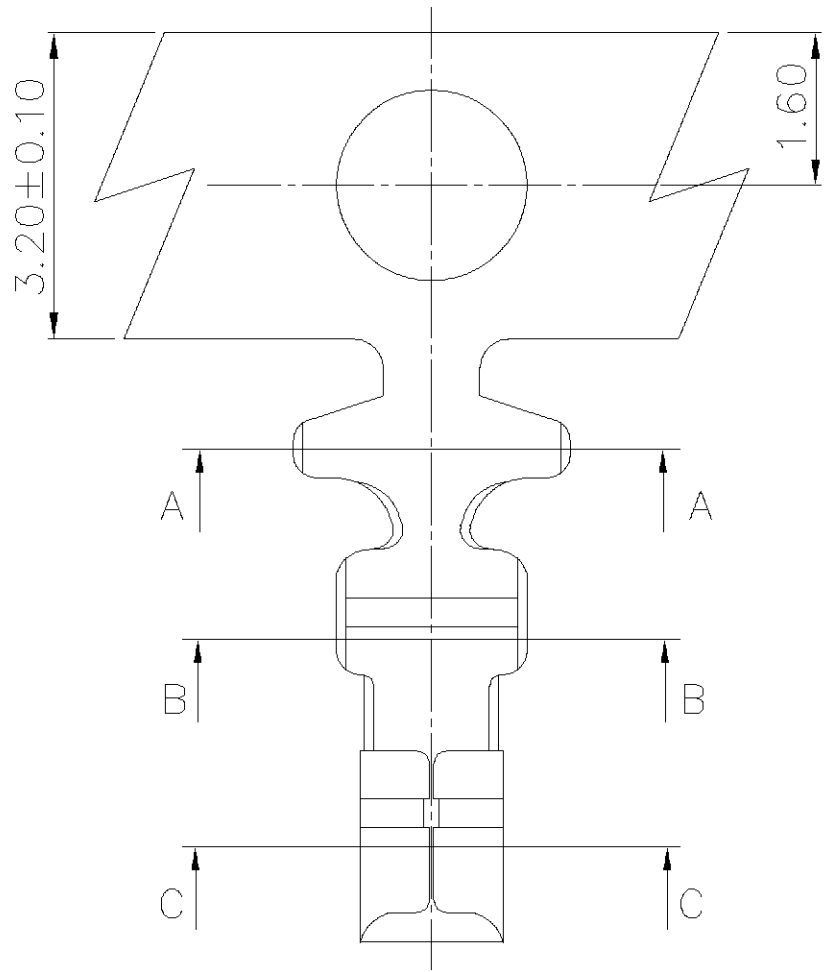
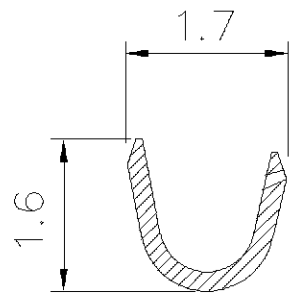


THIS INFORMATION IS CONFIDENTIAL AND IS DISCLOSED TO YOU ON CONDITION THAT NO FURTHER DISCLOSURE IS MADE BY YOU TO OTHER THAN AMP PERSONNEL WITHOUT WRITTEN AUTHORIZATION FROM AMP (TAIWAN) LTD. DIMENSIONS IN MILLIMETERS. DO NOT SCALE PRINT.

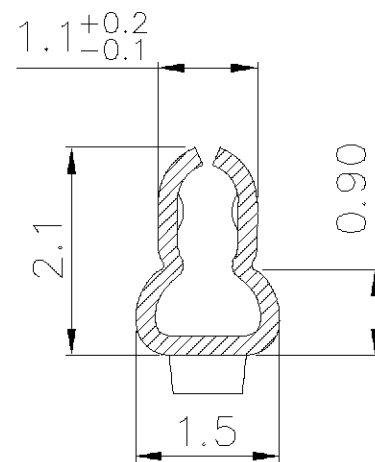
METRIC  
3RD ANGLE PROJECTION  
NUMBER  
C-440134



SEC A-A



SEC B-B



SEC C-C

NOTE:

1. MATERIAL: PHOSPHOR BRONZE, THICKNESS: 0.20mm.
2. FINISH: PRE-TIN PLATED.
3. ACCEPTS HOUSING: 440133
4. APPLICABLE WIRES: AWG #28-#22
5. INSULATION O.D.: 1.0 TO 1.9mm
6. Q'TY/REEL: 10,000 PCS.
7. GENERAL TOLERANCE: ±0.3

440134-1  
PART NUMBER

TOLERANCES UNLESS OTHERWISE SPECIFIED:		DWN	S. HOU	<b>tyco</b> Electronics	TYCO HOLDINGS (BERMUDA) VII LTD. TAIWAN BRANCH	
0 PLC	±0.50		04-FEB-2005			
1 PLC	±0.30	CHK	W.J. KE			
2 PLC	±0.20		04-FEB-2005			
3 PLC	±0.10					
ANGLES ±						
MATERIAL		APVD	W.J. KE	2.5 MM PITCH HPI CRIMP CONTACT.		
SEE NOTE			04-FEB-2005			
FINISH		PRODUCT SPEC		LOC		
SEE NOTE		108-57099		SIZE	DRAWING NO	
		APPLICATION SPEC		DW	A <sub>3</sub>	
		114-57004		SCALE	C-440134	
		WEIGHT		SHEET	1 OF 1	

C	REVISED DRAWING	FZ00-0025-05	SH	04FEB
B	REVISED	FZ00-0172-02	OH	06AUG
LTR	REVISION RECORD	ECN	DWN	DATE

单击下面可查看定价，库存，交付和生命周期等信息

[>>TE Connectivity\(泰科\)](#)