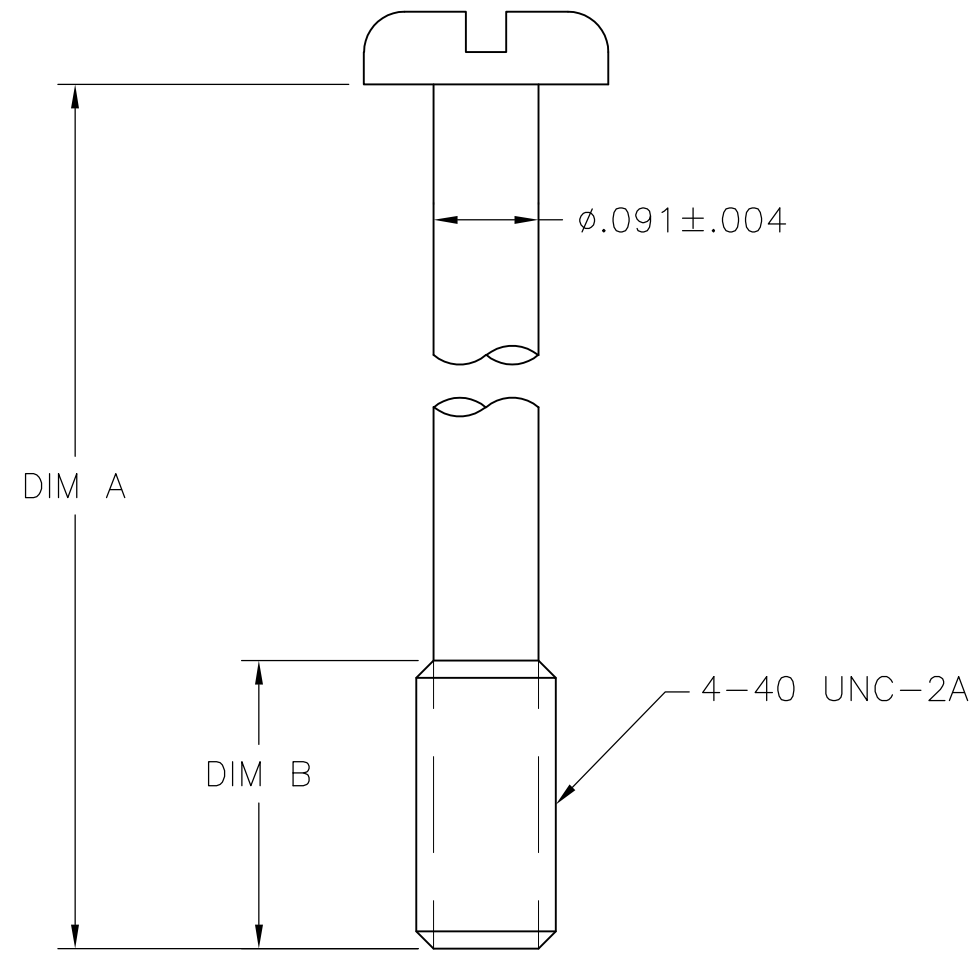



THIS DRAWING IS UNPUBLISHED. RELEASED FOR PUBLICATION
 © COPYRIGHT - By - ALL RIGHTS RESERVED.

LOC	DIST	REVISIONS					
GP	00	P	LTR	DESCRIPTION	DATE	DWN	APVD
		P		REVISED PER ECO-11-005033	23MAR11	RK	HMR

1 MATERIAL:
ZINC PLATED STEEL.



.20	1.00	5229911-4
.13	1.75	5229911-3
.25	.62	5229911-2
.25	.75	5229911-1
DIM B	DIM A	PART NO

THIS DRAWING IS A CONTROLLED DOCUMENT.		DWN	B. MCMASTER	27JULY05	 TE Connectivity
DIMENSIONS: INCHES		CHK	W. MILLHIMES	27JULY05	
TOLERANCES UNLESS OTHERWISE SPECIFIED:		APVD	M. WALMSLEY	27JULY05	
0 PLC ± - 1 PLC ± - 2 PLC ± .02 3 PLC ± - 4 PLC ± - ANGLES ± -		PRODUCT SPEC		NAME	
MATERIAL		APPLICATION SPEC		SCREW, PAN HD, CAPTIVE	
FINISH		WEIGHT		SIZE	CAGE CODE
1		-		A3	00779
		CUSTOMER DRAWING		DRAWING NO	RESTRICTED TO
				C-5229911	-
				SCALE	SHEET
				6:1	1 OF 1
				REV	P

单击下面可查看定价，库存，交付和生命周期等信息

[>>TE Connectivity\(泰科\)](#)