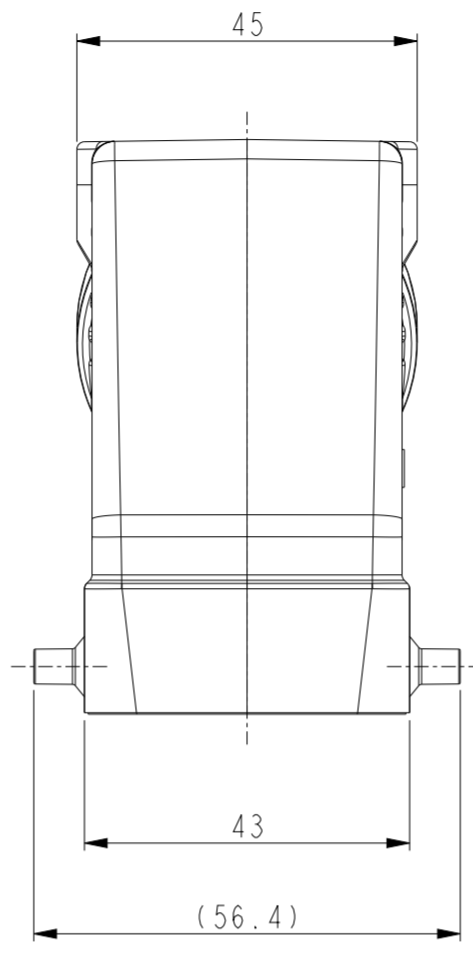
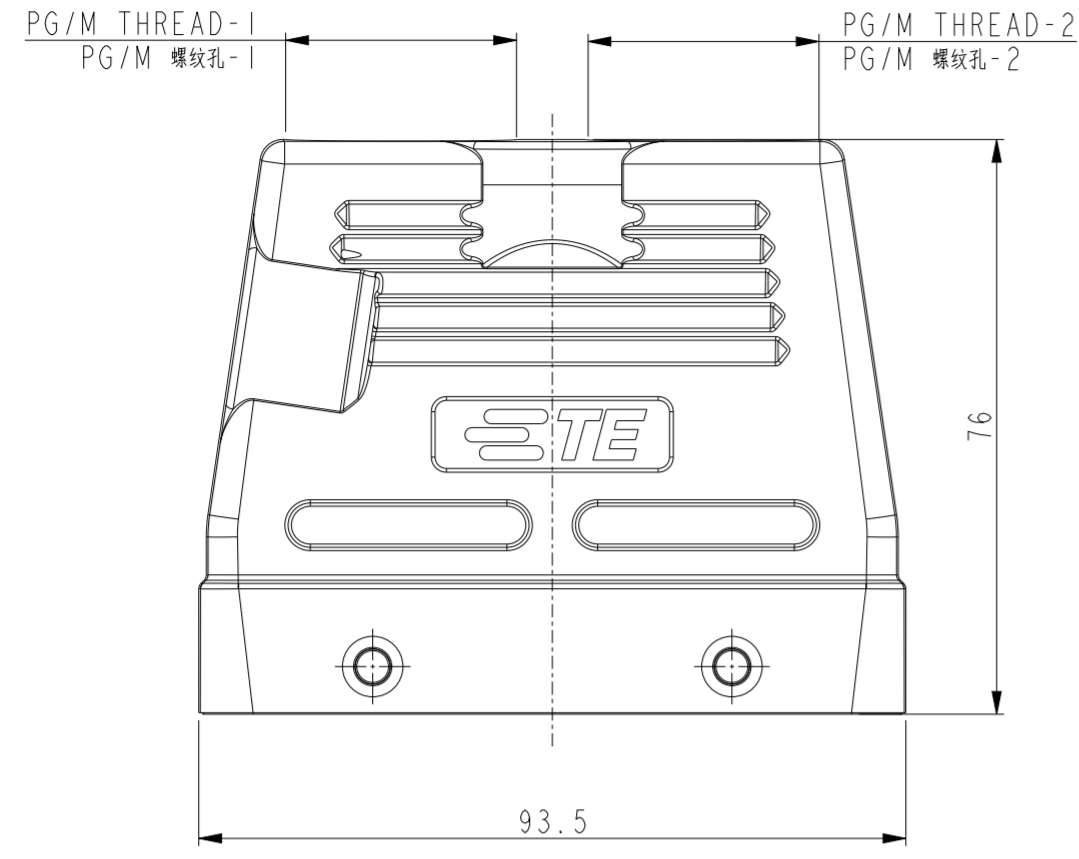


THIS DRAWING IS UNPUBLISHED. RELEASED FOR PUBLICATION 20
 © COPYRIGHT 20 BY - ALL RIGHTS RESERVED.

REVISIONS				
P	LTR	DESCRIPTION	DATE	APVD
B1		ECR-18-017123	21JAN2019	KW CW
B2		ECR-19-005083	29MAR2019	RG CW
C		ECR-20-008190	07AUG2020	WOR CW
C1		ECR-21-105138	29JUN2021	WOR CW



NOTES:

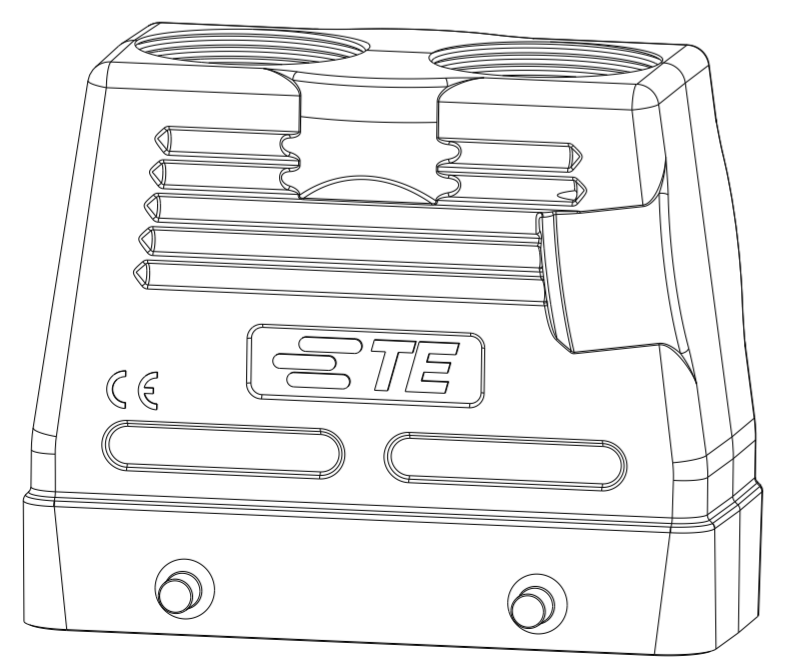
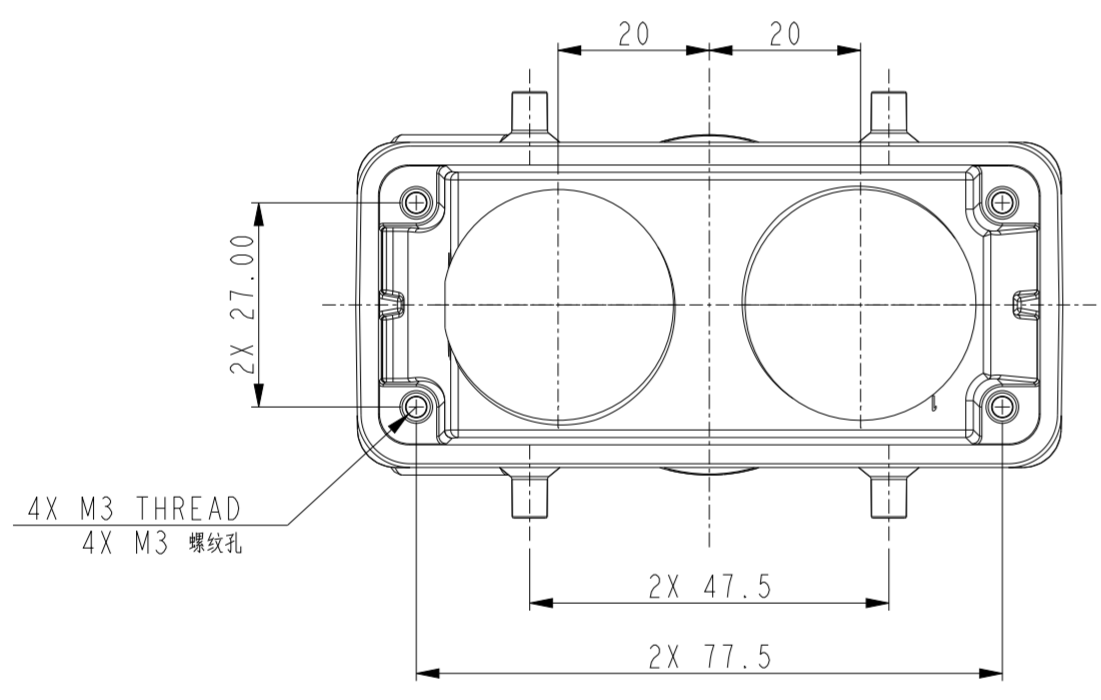
1. TECHNICAL CHARACTERISTICS:
 HOOD MATERIAL: DIE CAST ALUMINIUM ALLOY
 SURFACE: POWDER COATED, GREY
 DEGREE OF PROTECTION: IP65 (MATED)

2. PG25 IS NOT STANDARD THREAD SPEC, HERE RESTRICTED TO MATE WITH OUT DIAMETER 29.5mm AND THREAD PITCH 1.588mm GLAND.

注释:

1. 技术参数:
 上壳材料: 铝合金
 表面处理: 灰色粉末喷涂
 防护等级: IP65(配合)

2. PG25 为非标准螺纹, 此处限定互配螺纹外径为29.5mm, 螺距1.588mm 的格兰头.



PART NUMBER 料号	DESCRIPTION 描述	PG/M THREAD-1 PG/M 螺纹孔-1	PG/M THREAD-2 PG/M 螺纹孔-2	TYPE 类型
T1240160225-001	H16B-TGH-2PG25 (FOR OD29.5MM THREAD)	PG25	PG25	HIGH CONSTRUCTION 高结构
T1240160216-000	H16B-TGH-2PG16	PG16	PG16	
T1240160216-001	H16B-TGH-2M16	M16	M16	
T1240160221-000	H16B-TGH-2PG21	PG21	PG21	
T1240160225-000	H16B-TGH-2M25	M25	M25	
T1240161625-000	H16B-TGH-M16/M25	M16	M25	
T1240163225-000	H16B-TGH-M32/M25	M32	M25	
T1240162520-000	H16B-TGH-M25/M20	M25	M20	

THIS DRAWING IS A CONTROLLED DOCUMENT.

DWN: DAVID.WANG 22MAY2014
 CHK: CHRIS.WANG 22MAY2014
 APVD: XIANG.XU 22MAY2014

STE TE Connectivity

NAME: H16B-TGH-2M/PG

PRODUCT SPEC: 108-137013
 APPLICATION SPEC: 114-137013

SIZE: A2 CAGE CODE: 00779 DRAWING NO: C-T124016XXXX000 RESTRICTED TO: C1

MATERIAL: - DIMENSIONS: mm TOLERANCES UNLESS OTHERWISE SPECIFIED: 0 PLC ±, 1 PLC ±, 2 PLC ±, 3 PLC ±, 4 PLC ±, ANGLES ±, FINISH -

CUSTOMER DRAWING SCALE: 1:1 SHEET: OF REV: C1

单击下面可查看定价，库存，交付和生命周期等信息

[>>TE Connectivity\(泰科\)](#)