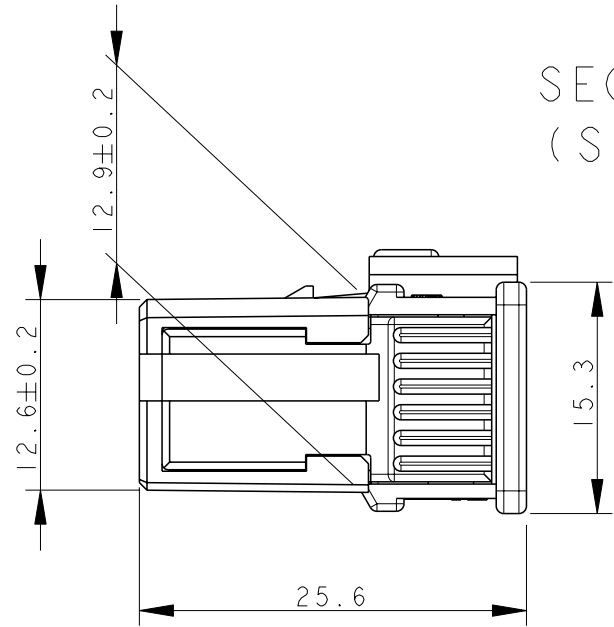


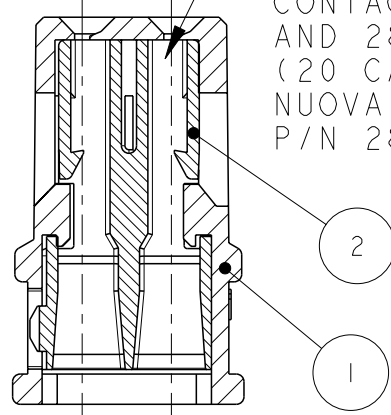
P	LTR	DESCRIPTION	DATE	DWN	APVD
A4		REVISED PER ECO-20-003218	08JUN2020	AP	VN

SECTION A-A
(SEZIONE A-A)

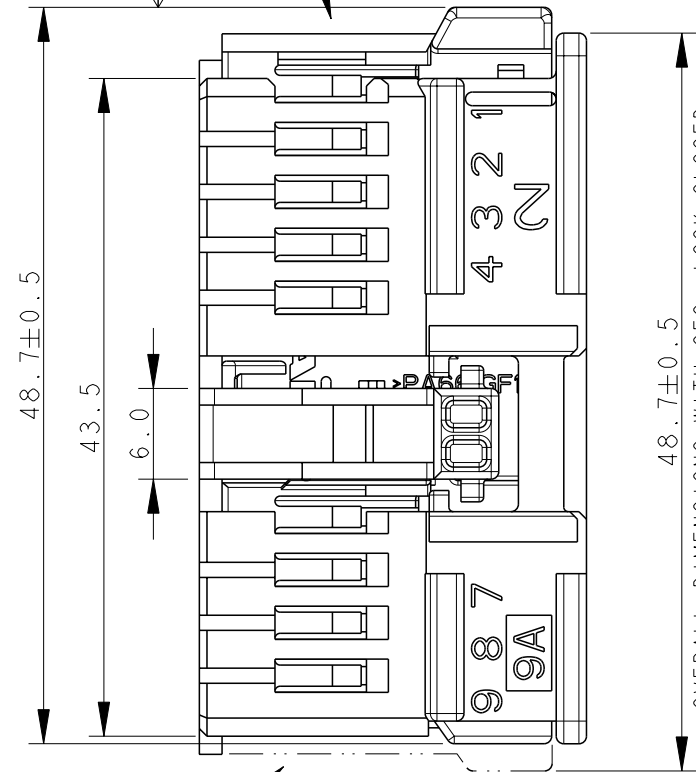
OVERALL DIMENSIONS WITH SEC. LOCK OPENED
(INGOMBRO CON AGGANCIAMENTO SECONDARIO APERTO)



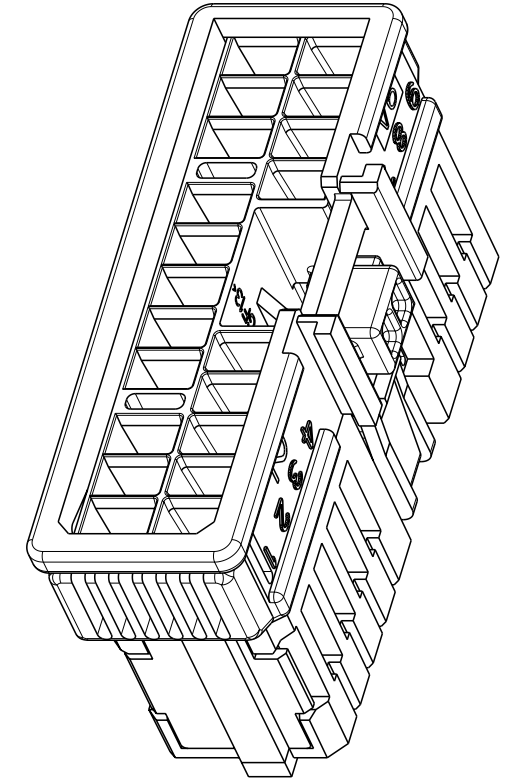
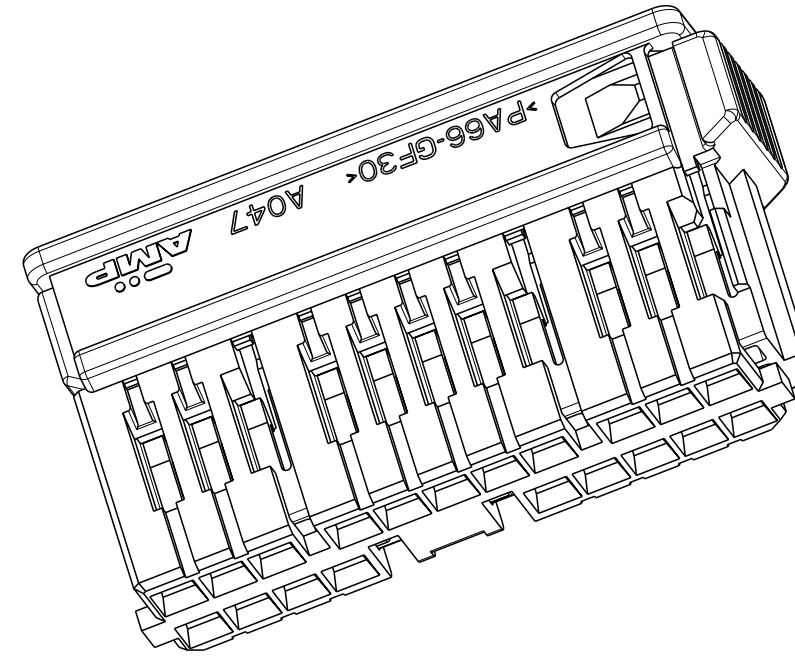
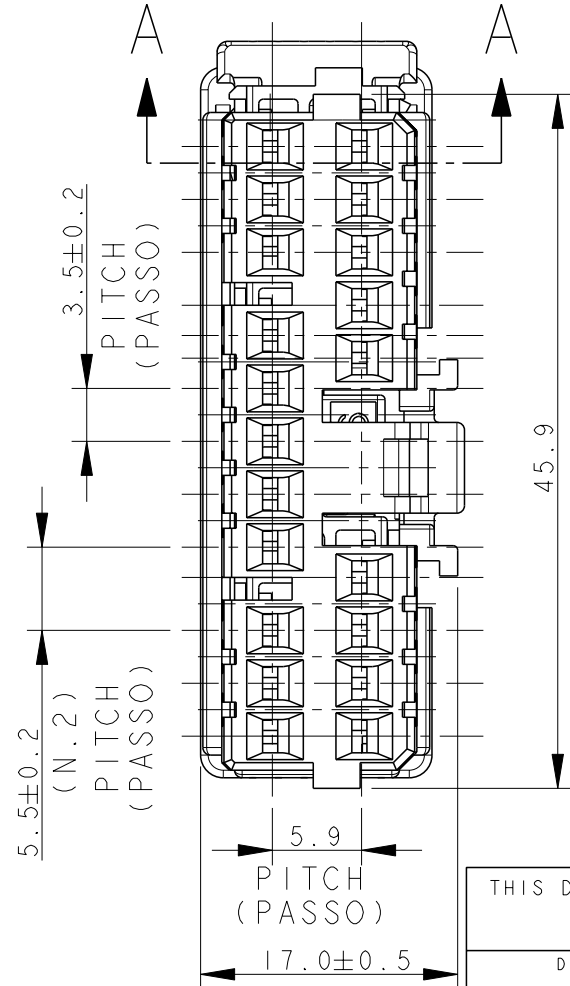
20 CAV. FOR NEW GENERATION
MULTILOCK RECEPTACLE
CONTACT P/N 284087-2, 284088-2
AND 284166-2.
(20 CAV. PER CONTATTI FEMMINA
NUOVA GENERAZIONE MULTILOCK
P/N 284087-2, 284088-2 E 284166-2.)



SUPPLIED WITH SEC. LOCKING DEVICE
ON PRE-ASSEMBLED POSITION
(FORNITO CON IL DISPOSITIVO DI AGGANCIAMENTO
SECONDARIO IN POS. PRE-ASSEMBLATO)



OVERALL DIMENSIONS WITH SEC. LOCK CLOSED
(INGOMBRO CON AGGANCIAMENTO SECONDARIO CHIUSO)

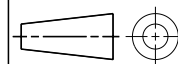


282991-2 AS SHOWN (COME MOSTRATO)

ITEM	DESCRIPTION (DESCRIZIONE)	FINISH/COLOUR (FINITURA/COLORE)	MATERIAL (MATERIALE)	PART NUMBER (NUMERO)
2	RECEPTACLE HOUSING (BLOCC. PORTA FEMMINE)	SEE SHEET 2 VED. FOGLIO 2	PA 66 G.F.	SEE SHEET 2 VED. FOGLIO 2
1	SEC. LOCKING DEVICE (AGGANCIAMENTO SECONDARIO)	SEE SHEET 2 VED. FOGLIO 2	PA 66 G.F.	SEE SHEET 2 VED. FOGLIO 2

THIS DRAWING IS A CONTROLLED DOCUMENT.

DIMENSIONS:
mm



MATERIAL
SEE table

TOLERANCES UNLESS OTHERWISE SPECIFIED:
0 PLC ±0.3
1 PLC ±0.3
2 PLC ±0.3
3 PLC ±
4 PLC ±
ANGLES ±2
FINISH -

DWN A. MARANGON 04MAR99
CHK O. CANUTO 04MAR99
APVD A. GENTIA 04MAR99
PRODUCT SPEC 108-20175
APPLICATION SPEC 114-20098
WEIGHT 8.0 g

TE TE Connectivity

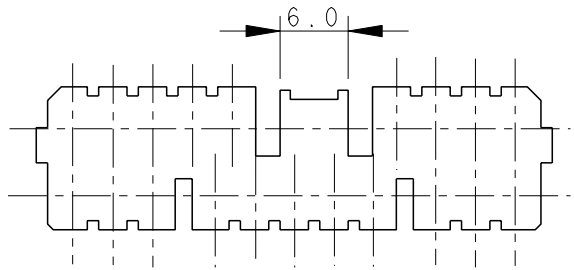
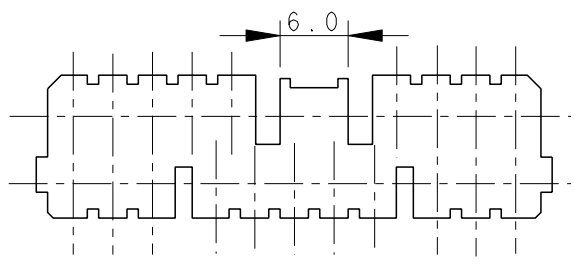
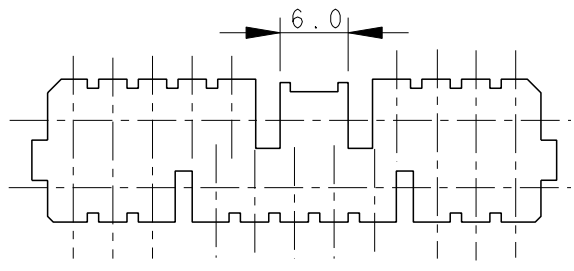
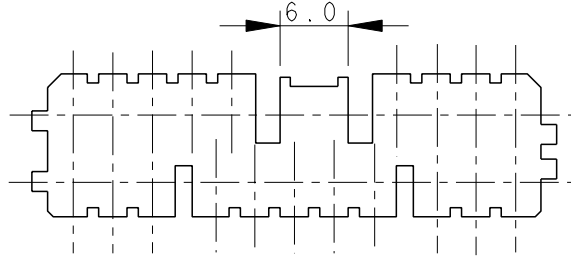
NAME
20 POS. NEW GENERATION RECEPTACLE CONNECTOR for trucks

SIZE	CAGE CODE	DRAWING NO	RESTRICTED TO
A300779	C=282991		-


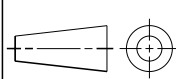
CUSTOMER DRAWING SCALE 2:1 SHEET 1 OF 2 REV A4

FOR POLARIZATION DETAILS AND COUNTERPARTS P/N'S SEE SHEET 2 (PER DETTAGLIO POLARIZZAZIONI E P/N'S CONTROPARTI VEDERE FOGLIO 2)

P	LTR	DESCRIPTION	DATE	DWN	APVD
-	-	SEE SHEET 1, (VEDERE FOGLIO 1)	-	-	-

P/N	ITEM 1 COLOUR (COLORE)	PART REV	GRAPHIC REPRESENTATION MATING FACE (RAPPRESENTAZIONE GRAFICA LATO ACCOPPIAMENTO)	P/N FREE HANGING COUNTERPART (CONTROPARTE VOLANTE)	P/N APPLICATION PANEL (DIMA DI APPLICAZIONE)
282991-2	BLACK (NERO)	A		282994-2	92-51128-2
282991-3	BLUE (BLU)	A		282994-3	92-51128-3
282991-4	GREY (GRIGIO)	A		282994-4	92-51128-4
282991-5	GREEN (VERDE)	A		/	/
282991-6	BROWN (MARRONE)	A	SAME AS -5	/	/

OBSOLETE

THIS DRAWING IS A CONTROLLED DOCUMENT.		DWN A. MARANGON 04MAR99	 TE Connectivity	
DIMENSIONS: mm		CHK O. CANUTO 04MAR99		
TOLERANCES UNLESS OTHERWISE SPECIFIED:		APVD A. GENTIA 04MAR99	NAME 20 POS. NEW GENERATION RECEPTACLE CONNECTOR for trucks	
		PRODUCT SPEC SEE SHEET 20 (VEDERE FOGLIO 1)	SIZE A300779	
MATERIAL SEE TABLE (VEDERE FOGLIO 1)		APPLICATION SPEC SEE SHEET 20 (VEDERE FOGLIO 1)	DRAWING NO C-282991	
FINISH =		WEIGHT SEE SHEET 1 (VEDERE FOGLIO 1) 180 g	RESTRICTED TO -	
		CUSTOMER DRAWING	SCALE 1:1 SHEET 2 OF 2 REV A4	

单击下面可查看定价，库存，交付和生命周期等信息

[>>TE Connectivity\(泰科\)](#)