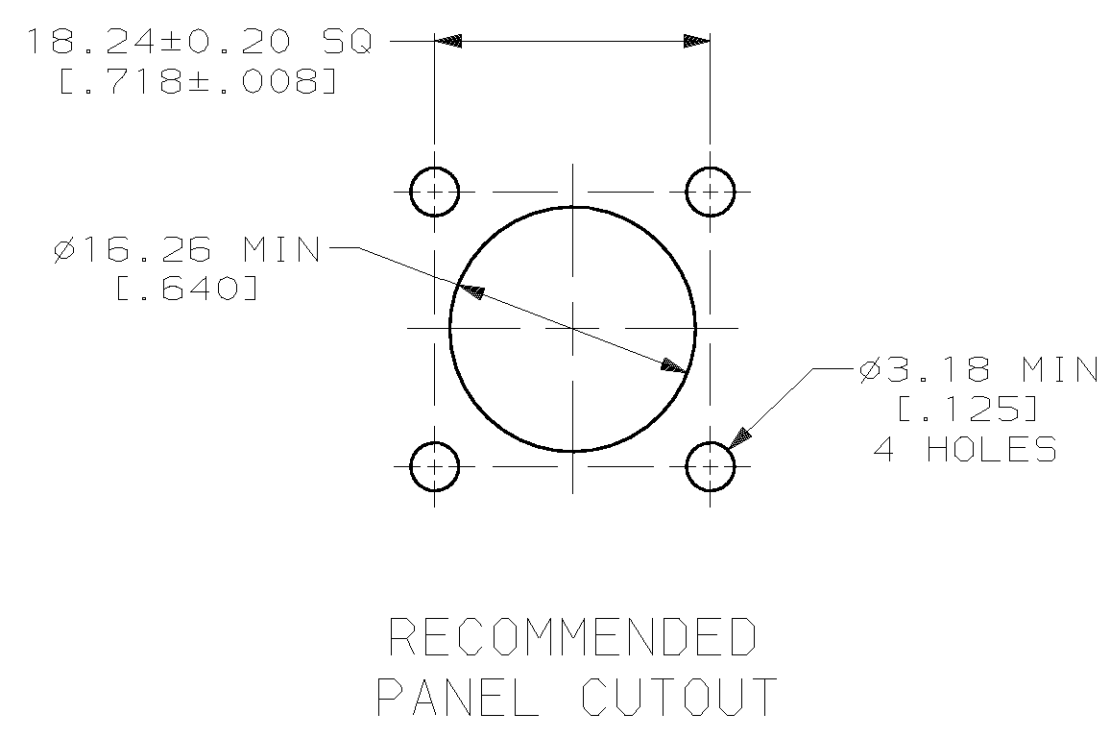
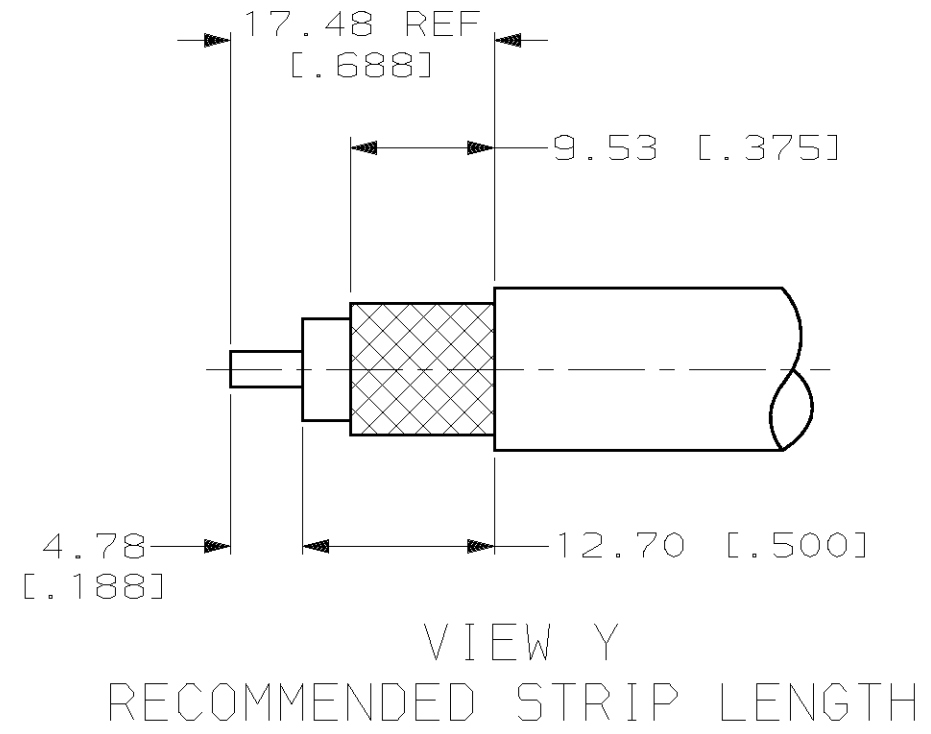
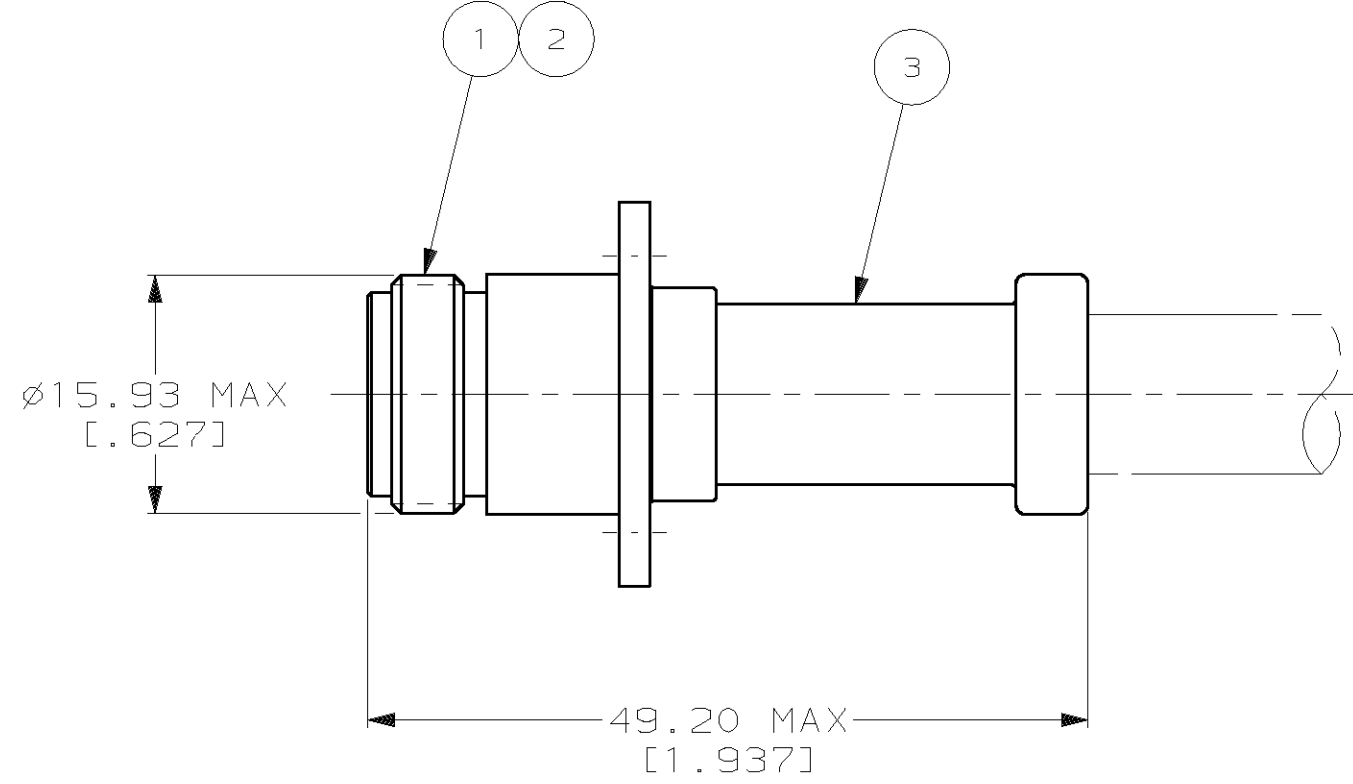
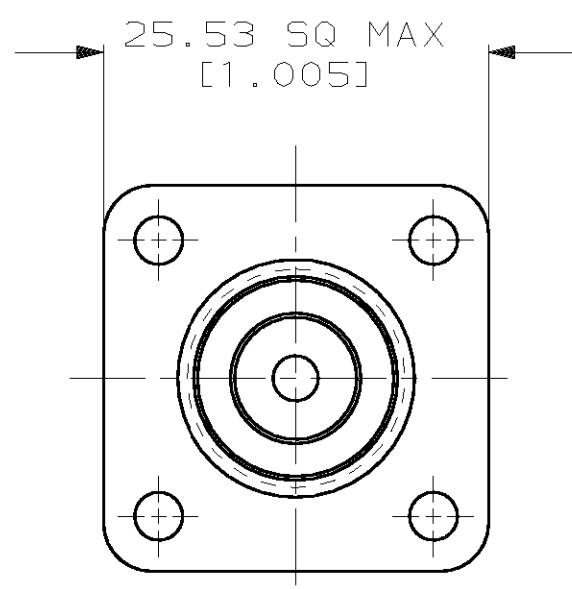
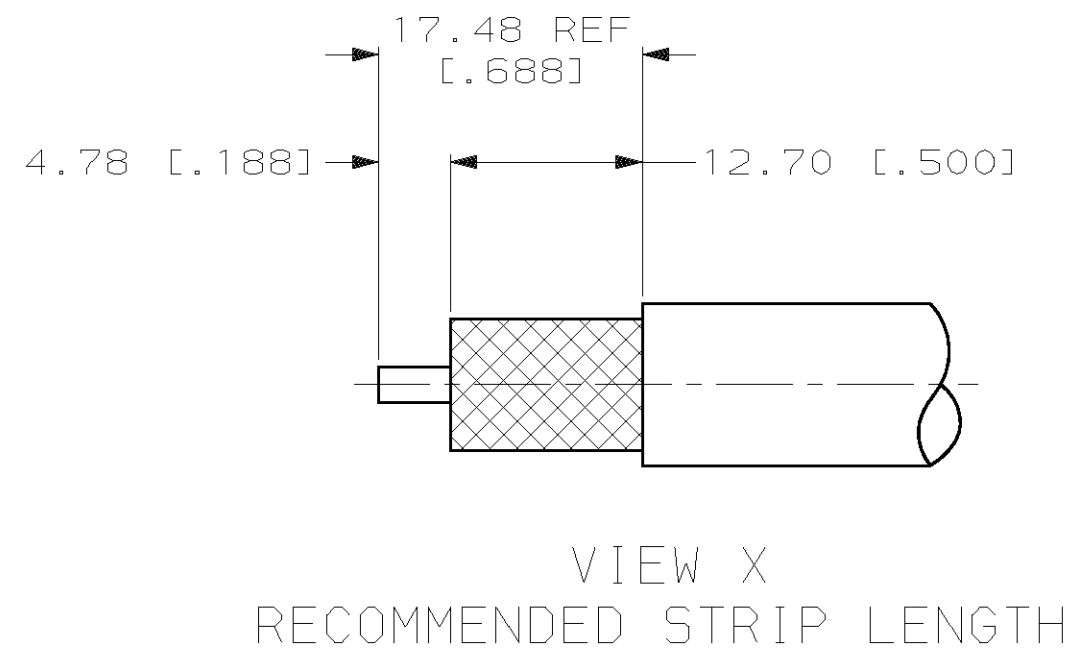


THIS DRAWING IS UNPUBLISHED. RELEASED FOR PUBLICATION
 © COPYRIGHT 19 BY AMP INCORPORATED. ALL INTERNATIONAL RIGHTS RESERVED.

LOC		DIST		ZONE		LTR		REVISIONS		DATE	APPD
AJ	16	P	F			L		DESCRIPTION			
								OBS -1 & -2 PER 0E10-0116-99	04FEB00	M0	



1. CRIMP TOOL: 220015-1
2. SEE I.S. 2028-4



OBSOLETE	-	-	-	-	-	-	225089-8
OBSOLETE	-	-	-	-	-	-	225089-5
	X	RG-225/U	AMP 225089-4	331987	1-51704-0	225086-1	225089-4
OBSOLETE	-	-	-	-	-	-	225089-3
OBSOLETE	Y	RG-213/U	00779M39012/02B0016 AMP & DATE CODE	1-331987-3	51704-2	225086-1	225089-2
OBSOLETE	X	RG-214/U	00779M39012/02B0017 AMP & DATE CODE	331987	51704-2	225086-1	225089-1
	VIEW	CABLE SIZE	STAMPING	③ FERRULE QTY=1	② CONTACT QTY=1	① JACK ASSY QTY=1	PART NUMBER

DO NOT SCALE PRINT. UNLESS SPECIFIED DIMENSIONS IN mm [INCHES] TOLERANCES ON : 2 PLC DEC ± 0.41 [.016] 3 PLC DEC ± - ANGLES ± -		DR 07-03-91 B. SCOTT CHK 10-21-91 M. SNEED APPD 10-21-91 R. HENRY APPD 10-21-91 M. SNEED		AMP AMP Incorporated Harrisburg, PA 17105-3608	
MATERIAL	-	PRODUCT SPEC	108-12019	NAME JACK, PANEL, WEATHERPROOF, SERIES N	
FINISH	-	APPLICATION SPEC	-	SIZE	CAGE CODE
		WEIGHT	-	③	00779
				SCALE	DRAWING NO
				2:1	225089
					SHEET 1 OF 1

单击下面可查看定价，库存，交付和生命周期等信息

[>>TE Connectivity\(泰科\)](#)