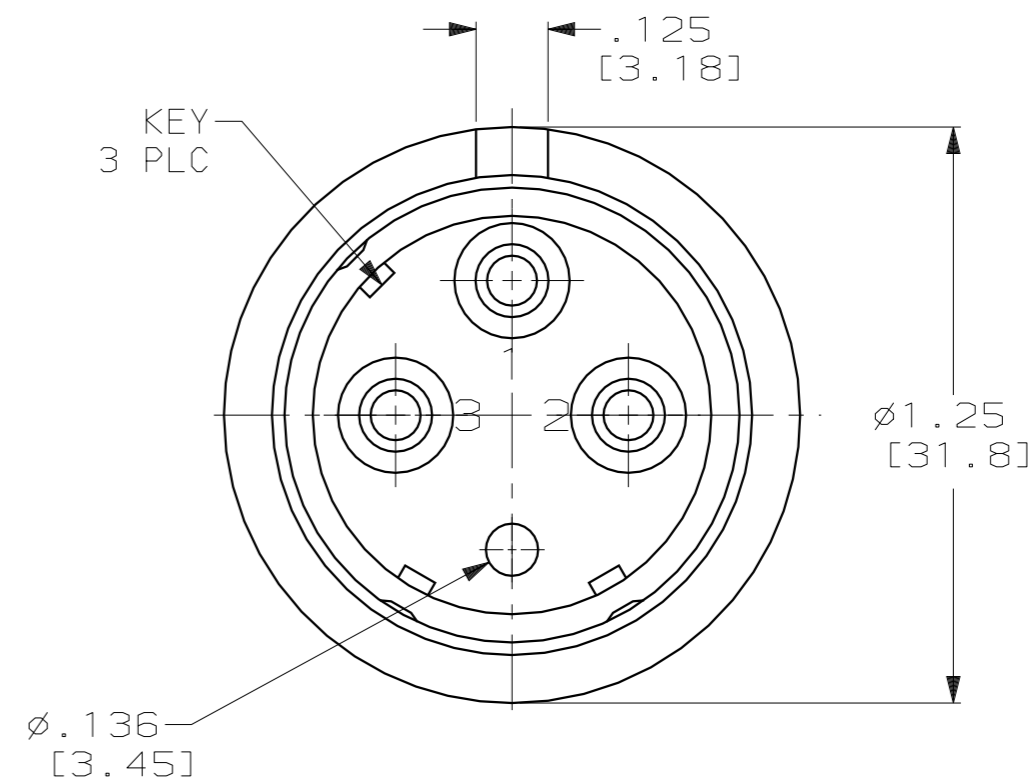
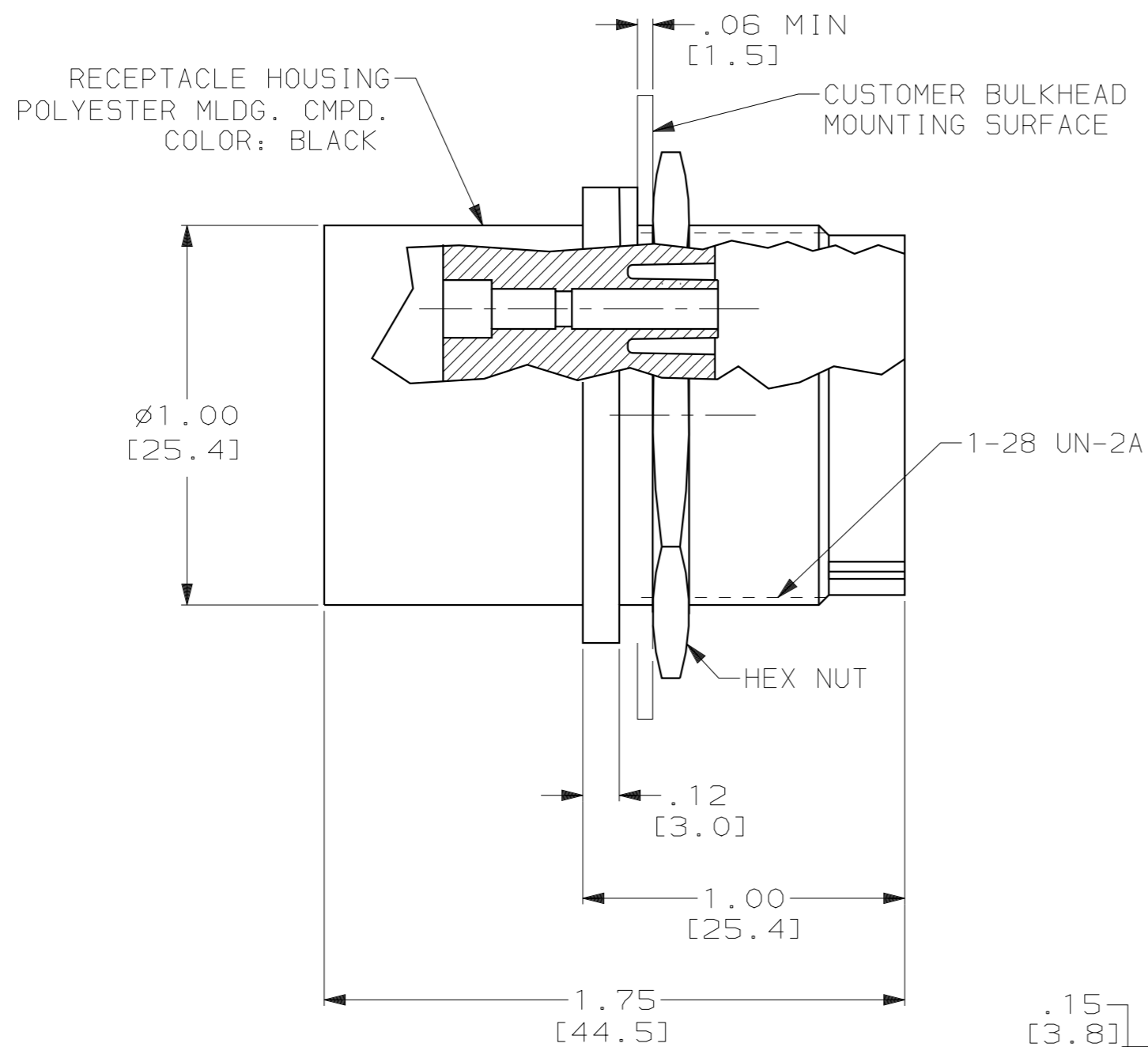
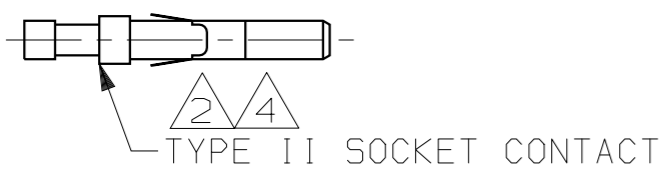
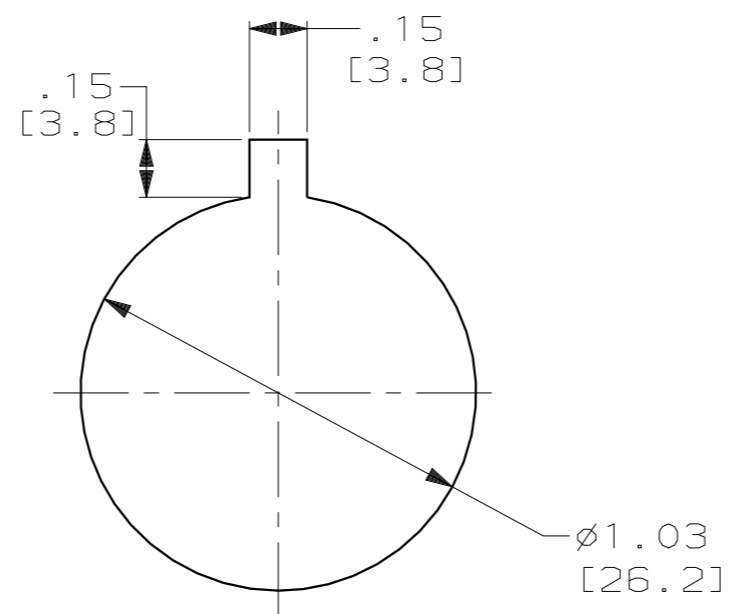


THIS DRAWING IS UNPUBLISHED. RELEASED FOR PUBLICATION
 BY AMP INCORPORATED. ALL RIGHTS RESERVED.

PROD CODE	LOC	DIST	REVISIONS					
			P	LTR	DESCRIPTION	DATE	DWN	APVD
4085	DF	50	D		REV & REDRAWN; 0600-4242-95 CT	9-95	CT	SG



VIEW SHOWN WITHOUT HEX NUT



- MARKED PER MIL-STD-130.
- CONTACTS AND RECEPTACLES ARE PACKAGED SEPARATELY.
- RECEPTACLE WILL WITHSTAND WITHOUT BREAKDOWN 27 KVDC PIN TO PIN AND 27 KVDC PIN TO GROUND WHEN MATED WITH AMP P/N 863055.
- 863054-4 IS SUPPLIED WITHOUT CONTACTS.
- SEE I.S. 408-9169 FOR ASSEMBLY INSTRUCTION.

REMARKS	HAND TOOL #	WIRE SIZE RANGE	PART NO.
4	-	-	863054-4
OBSOLETE	45098	14	863054-3
OBSOLETE	45098	16, 18	863054-2
-	45099	20, 22, 24	863054-1

<small>THIS DRAWING IS A CONTROLLED DOCUMENT FOR AMP INCORPORATED. IT IS SUBJECT TO CHANGE AND THE CONTROLLING ENGINEERING ORGANIZATION SHOULD BE CONTACTED FOR THE LATEST REVISION.</small>		DWN C.C. THOMAS 9-18-95	AMP Incorporated Harrisburg, PA 17105-3608
DIMENSIONS: INCHES [mm]		CHK S. GLATFELTER 9-21-95	
TOLERANCES UNLESS OTHERWISE SPECIFIED: 0 PLC ±- 1 PLC ±- 2 PLC ±.04 [1.0] 3 PLC ±.015 [0.38] 4 PLC ±- ANGLES ±- FINISH -		APVD S. GLATFELTER 9-21-95	NAME S. GLATFELTER
MATERIAL -		PRODUCT SPEC -	APPLICATION SPEC -
		WEIGHT -	SIZE A2
		CUSTOMER DRAWING	CAGE CODE 00779
			DRAWING NO. C=863054
			SCALE 2:1
			SHEET 1 OF 1
			REV D

单击下面可查看定价，库存，交付和生命周期等信息

[>>TE Connectivity\(泰科\)](#)