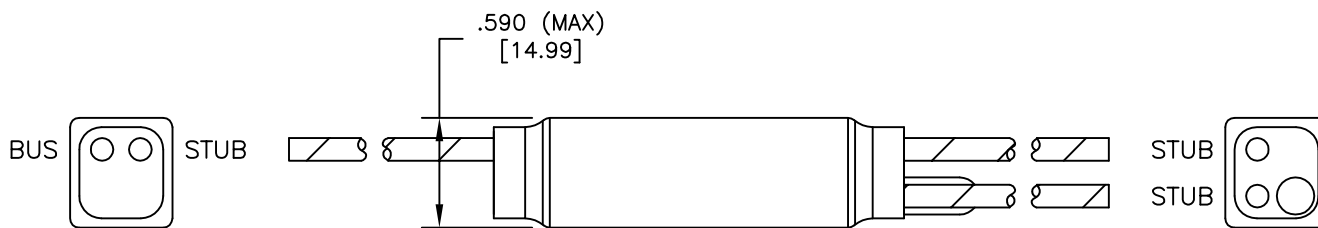
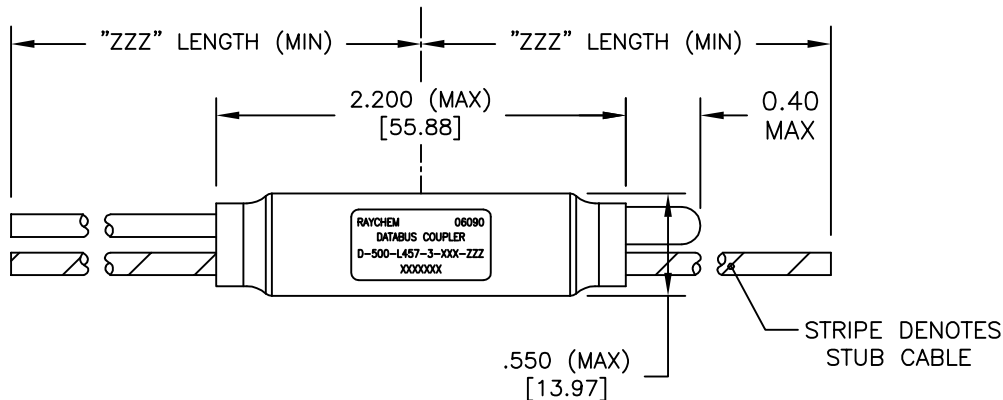


REVISION		
REV	DESCRIPTION	DATE
B	REVISED PER ECO-12-021274	05DEC2012



**COMPONENT NUMBER**

D-500-L457-3-XXX-ZZZ

7: INTERNAL TERMINATOR

SCHEMATIC

NUMBER OF STUBS

CABLE LENGTH (INCHES)

CABLE

612: 10612 (OPTIMIZED SINGLE SHIELD)  
 613: 10613 (OPTIMIZED DOUBLE SHIELD)  
 614: 10614 (EMP HARDENED)  
 EP3: EPD30653Q (BUS), EPD31346A-6L9-US (STUB) (OPTIMIZED DOUBLE SHIELD)  
 H06: 7724H0664 (FLAT SHIELD WIRE, UNFILLED)  
 6D0: 7726D0664 26 AWG OPTIMIZED SINGLE SHIELD  
 6D3: 7726D3664 26 AWG OPTIMIZED DOUBLE SHIELD

If this document is printed it becomes uncontrolled. Check for the latest revision

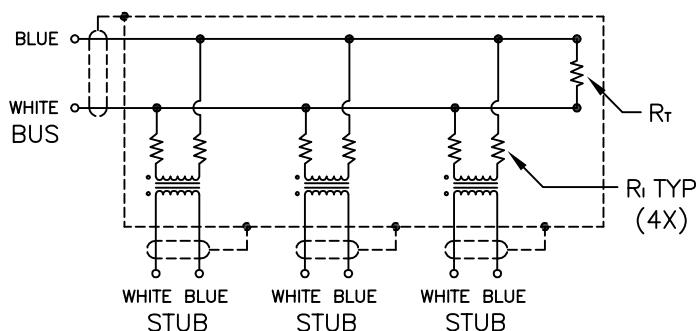
© 2012 Tyco Electronics Corporation. All Rights Reserved.

Raychem Databus  
CUSTOMER DRAWING

UNLESS OTHERWISE SPECIFIED DIMENSIONS ARE INCHES. METRIC DIMENSIONS ARE IN BRACKETS.  DECIMAL TOLERANCES .XXX ± 0.005 [ 0.13 mm] .XX ± 0.010 [ 0.25 mm] .X ± 0.020 [ 0.50 mm]  ANGLE TOLERANCE .X ± 0.5 DEG.  WEIGHT WITHOUT CABLE (MAX) LBS. 0.0304 [ 13.8 gm]	DRAWN T RATZLAFF	DATE 17MAR2003		TITLE DATABUS MICROCOUPLER, THREE STUB, LIGHTWEIGHT, W/INTERNAL TERMINATOR
	MATERIAL  FINISH	SIZE A		
CAD FILE D-500-L457-3-XXX-ZZZa	THIRD ANGLE PROJECTION 	DO NOT SCALE THIS DRAWING		SHEET 1 OF 2

1. MATERIAL AND FINISHES:
  - 1.1 INTERNAL COMPONENTS:
    - TRANSFORMER TO MIL-PRF-21038 AND MIL-STD-1553B
    - ISOLATION RESISTORS TO MIL-PRF-39007/9, 57.6 OHMS
    - TERMINATION RESISTOR TO MIL-PRF-39007/9, 76.8 OHMS
  - 1.2 SHIELDED CASE: ALUMINUM PER ASTM B 618 OR ASTM B211
  - 1.3 SEALED COVER: MODIFIED CROSS-LINKED, FLAME RETARDANT, BLACK, FLUOROPOLYMER TO RAYCHEM SPECIFICATION RT-370.
  - 1.4 CABLE TO RAYCHEM SPECIFICATION 1200.
  
2. APPLICATION:
  - 2.1 THIS COUPLER IS DESIGNED TO BE INSTALLED INTO A DIGITAL MULTIPLEX ASSEMBLY MEETING THE REQUIREMENTS OF MIL-STD-1553B.
  - 2.2 CABLE BEND RADIUS PER SAE-AS50881 STATIC BEND: 5 x CABLE O.D. MIN.  
DYNAMIC BEND: 10 x CABLE O.D. MIN.
  
3. TEMPERATURE:
  - 3.1 OPERATING TEMPERATURE: -65°C TO +150°C
  
4. PERFORMANCE SPECIFICATIONS:
  - 4.1 COUPLER MEETS THE PERFORMANCE REQUIREMENTS OF MIL-STD-1553B AND USAF DRAWING 8912026.
  
5. WEIGHT:
  - 5.1 WEIGHT WITHOUT CABLE: 13.8 GRAMS (MAXIMUM).
  
6. ORDERING INFORMATION:
  - 6.1 ORDER PER COMPONENT NUMBER (SEE SHEET 1) AND DESIRED "ZZZ" CABLE LENGTH.
  - 6.2 SPECIFY CERTIFICATION OF CONFORMANCE REQUIREMENTS AS SEPARATE LINE ITEM.
  - 6.3 SPLICE KITS TO BE ORDERED SEPARATELY. PRODUCT NUMBER: D-150-0708-5.


THREE STUB COUPLER SCHEMATIC



If this document is printed it becomes uncontrolled. Check for the latest revision

© 2012 Tyco Electronics Corporation. All Rights Reserved.

Raychem Databus  
CUSTOMER DRAWING

DRAWN T RATZLAFF	DATE 17MAR2003	 TE Connectivity	SIZE A	CODE IDENT. NO. 06090	DWG. NO. D-500-L457-3-XXX-ZZZ	REV B
CAD FILE D-500-L457-3-XXX-ZZZb			DO NOT SCALE THIS DRAWING	SHEET 2 OF 2		

单击下面可查看定价，库存，交付和生命周期等信息

[>>TE Connectivity\(泰科\)](#)