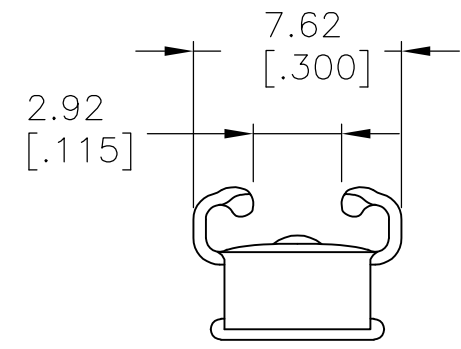
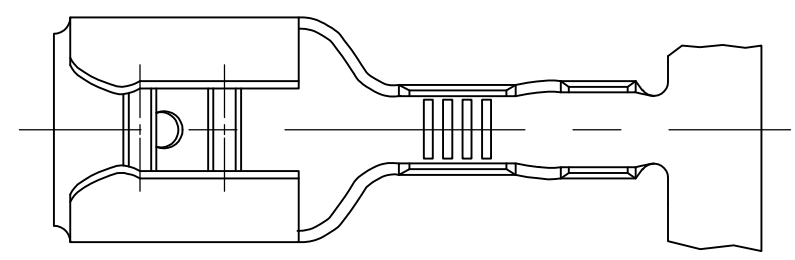


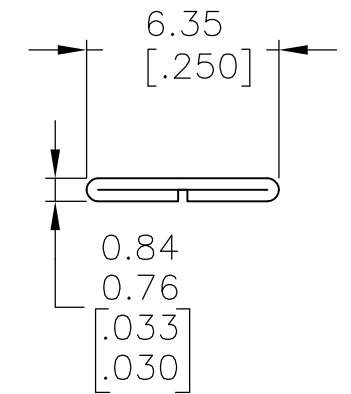
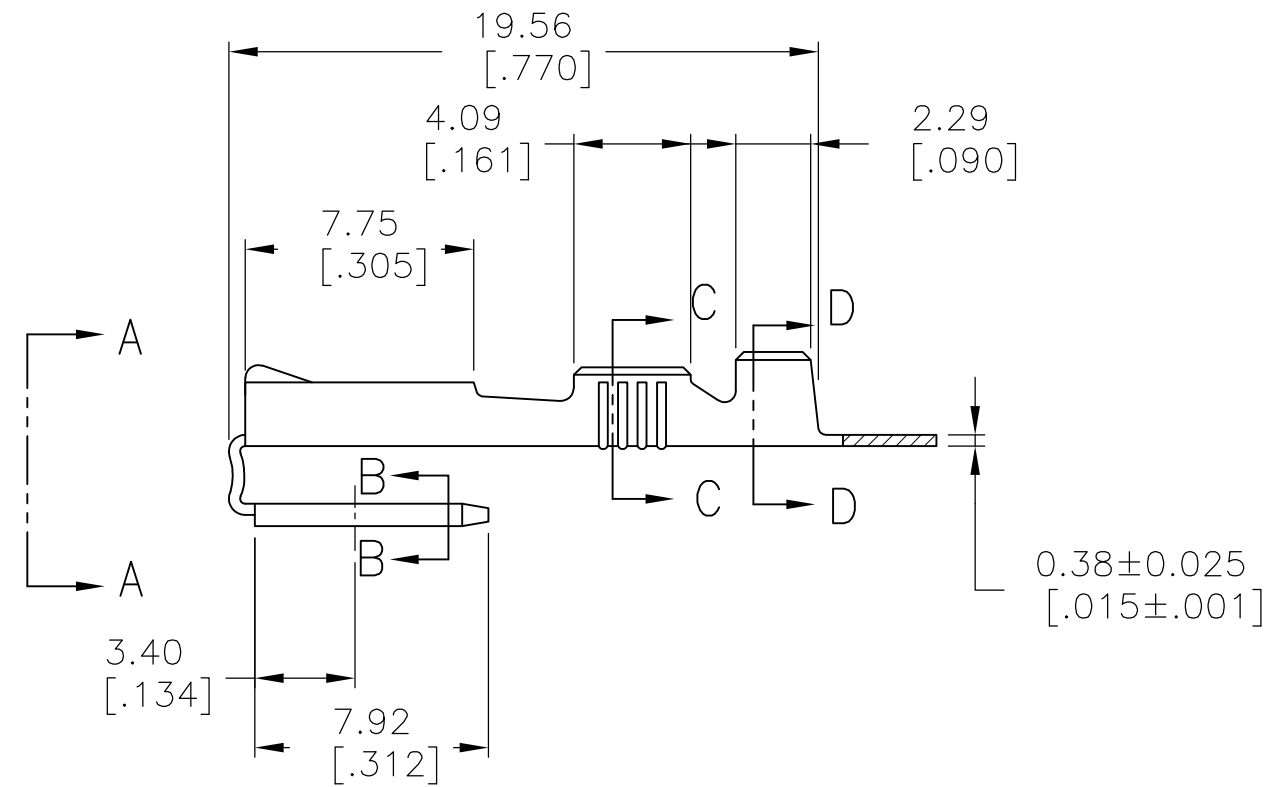
THIS DRAWING IS UNPUBLISHED. RELEASED FOR PUBLICATION
 © COPYRIGHT - By - ALL RIGHTS RESERVED.

LOC	DIST	REVISIONS					
AF	50	P	LTR	DESCRIPTION	DATE	DWN	APVD
			K	REVISED PER ECR-12-013459	28NOV2012	KH	PD

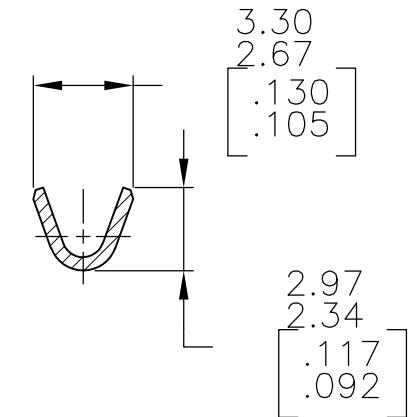


VIEW A-A

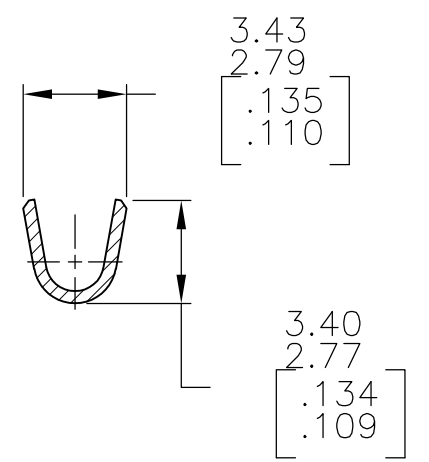
1 - CONTINUOUS STRIP ON REELS.
 2 - STRESS RELIEVED



SECTION B-B



SECTION C-C



SECTION D-D

0.38±0.025
 [.015±.001]

2	TIN	1.52-2.54 [.060-.100]	#22-#18 AWG	0.81±0.025 [.032±.001]	61988-3
	TIN				61988-2
	-				61988-1
FINISH	INSUL RANGE	WIRE SIZE	MATING TAB THICKNESS	PART NUMBER	

THIS DRAWING IS A CONTROLLED DOCUMENT.		DWN	JR RUTH	5/14/86	STE TE Connectivity		
DIMENSIONS: mm [INCHES]		CHK	MS FEHER	5/14/86			
TOLERANCES UNLESS OTHERWISE SPECIFIED:		APVD	C NEYERS	5/16/86	NAME		
0 PLC ± -		PRODUCT SPEC		RECEPTACLE, FASTON, PIGGYBACK, 6.35 [.250] SERIES			
1 PLC ± -		APPLICATION SPEC		114-2082		SIZE	A3
2 PLC ± -		MATERIAL		BRASS		CAGE CODE	00779
3 PLC ± 0.38 [.015]		FINISH		SEE TABLE		DRAWING NO	C-61988
4 PLC ± -		CUSTOMER DRAWING		SCALE		4:1	SHEET
ANGLES ± -		WEIGHT		-		1 OF 1	REV
± -		RESTRICTED TO		-		K	

单击下面可查看定价，库存，交付和生命周期等信息

[>>TE Connectivity\(泰科\)](#)