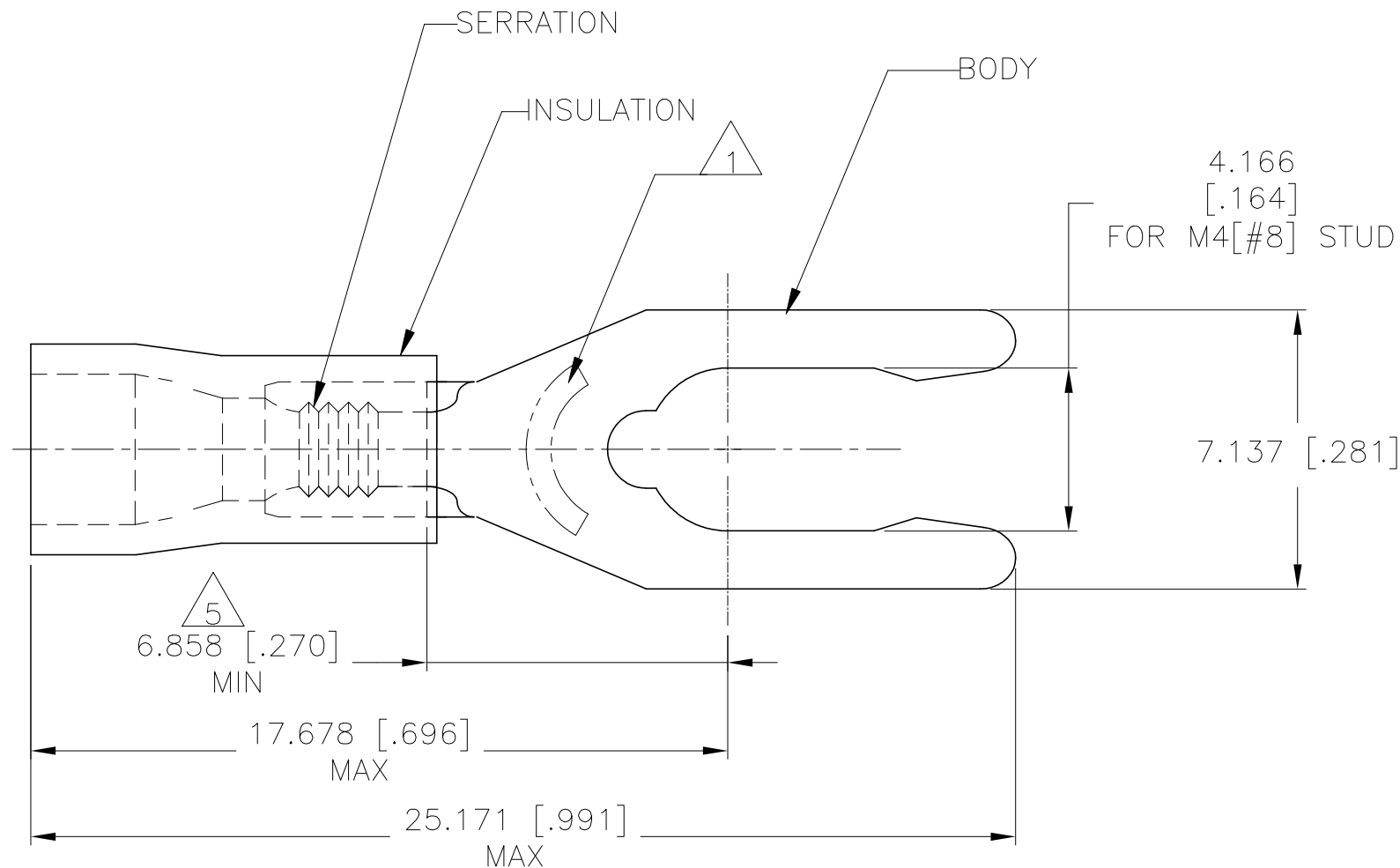


THIS DRAWING IS UNPUBLISHED. RELEASED FOR PUBLICATION
 © COPYRIGHT - By - ALL RIGHTS RESERVED.

| REVISIONS | | | | | |
|-----------|-----|---------------------------|-----------|-----|------|
| P | LTR | DESCRIPTION | DATE | DWN | APVD |
| | J1 | REV PER ECO-12-014455 | 13SEP12 | KH | DR |
| | J2 | REVISED PER ECO-17-014338 | 29MAR2018 | RS | DR |
| | J3 | REVISED PER ECO-19-009076 | 14JUN2019 | RS | DR |

| | | |
|--------------------------------|--------------------------------|--------------------------------|
| AMP WIRE RANGE | Listed FILE E13288 | LR7189 Certified |
| 22-16 AWG SOLID OR STRANDED | 22-16 AWG SOLID OR STRANDED | 22-16 AWG SOLID OR STRANDED |



- 1 STAMP "8SAMP 22-18*" APPROX AS SHOWN
22-16 TERMINALS ARE STAMPED 22-18 IN
ACCORDANCE WITH MILITARY SPEC SAE AS7928
COMMERCIAL WIRE RANGE IS 22-16
- 2 WIRE INSUL ϕ 2.667-3.556 [.105-.140]
- 3 BODY MATL THK, 0.787 ± 0.051 [.031 \pm .002]
- 4 MATERIAL: BODY - BRASS. PER ASTM B36
INSULATION - PVC
- 5 APPLIES FROM THE EDGE OF METAL BARREL TO
THE CENTER OF THE STUD.

| | | |
|------|---------------|---------|
| 5000 | ON TAPE, REEL | 52454-1 |
| 1000 | LOOSE PIECE | 52454 |
| QTY | PACKAGE TYPE | PART NO |

| | | | | | | | | | |
|--|--|---|--|---|------------------------------|---------------------------|--------------------|-----------------------|--------------------|
| CUSTOMER SERVICE SYSTEMS | | MAX RECOMMENDED OPERATING TEMPERATURE: 105°C [221°F] | THIS DRAWING IS A CONTROLLED DOCUMENT. | | DWN L OLMEDA 26JUN95 | TE Connectivity Ltd. | | | |
| FOR ADDITIONAL PRODUCT INFORMATION OR COPIES OF DRAWINGS AND TECHNICAL DOCUMENTS | PRODUCT INFORMATION CENTER 1-800-522-6752 | VOLTAGE RATING: 600V MAX (1000V FIXTURE OR SIGN) | DIMENSIONS: mm [INCHES] | TOLERANCES UNLESS OTHERWISE SPECIFIED: | CHK M ELLIS 26JUN95 | | | NAME | |
| FOR APPLICATION TOOLING INFORMATION | TOOLING ASSISTANCE CENTER 1-800-722-1111 | CIRCULAR MIL AREA: 0.26-1.65mm ² [509-3260] SOLID OR STRANDED | | 0 PLC ± - 1 PLC ± - 2 PLC ± - 3 PLC ± 0.127[.005] 4 PLC ± - ± - ANGLES | APVD G NGO 26JUN95 | PRODUCT SPEC UL 486A-B | | | |
| FOR ORDER ENTRY | 1-800-526-5142 | THIS DRAWING IS A CONTROLLED DOCUMENT FOR AMP INCORPORATED. IT IS SUBJECT TO CHANGE AND THE CONTROLLING ENGINEERING ORGANIZATION SHOULD BE CONTACTED FOR THE LATEST REVISION. | MATERIAL | FINISH BODY: TIN PER ASTM B545 INSULATION: COLOR-RED | APPLICATION SPEC 114-2161 | SIZE A3 | CAGE CODE 00779 | DRAWING NO C=52454 | RESTRICTED TO - |
| | | | CUSTOMER DRAWING | | WEIGHT | SCALE 6:1 | SHEET 1 OF 1 | REV J3 | |

单击下面可查看定价，库存，交付和生命周期等信息

[>>TE Connectivity\(泰科\)](#)