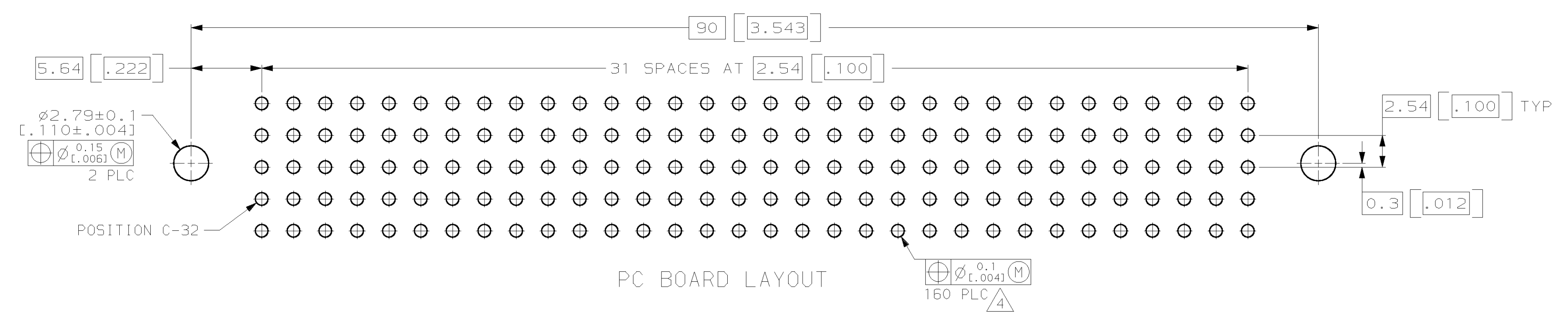
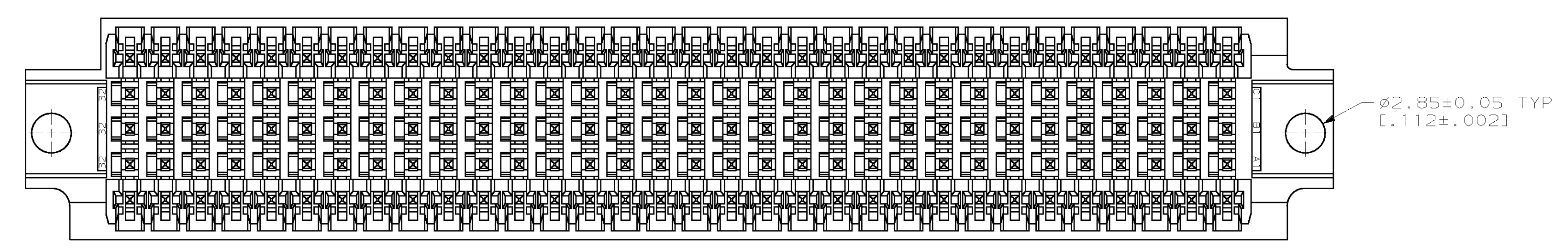
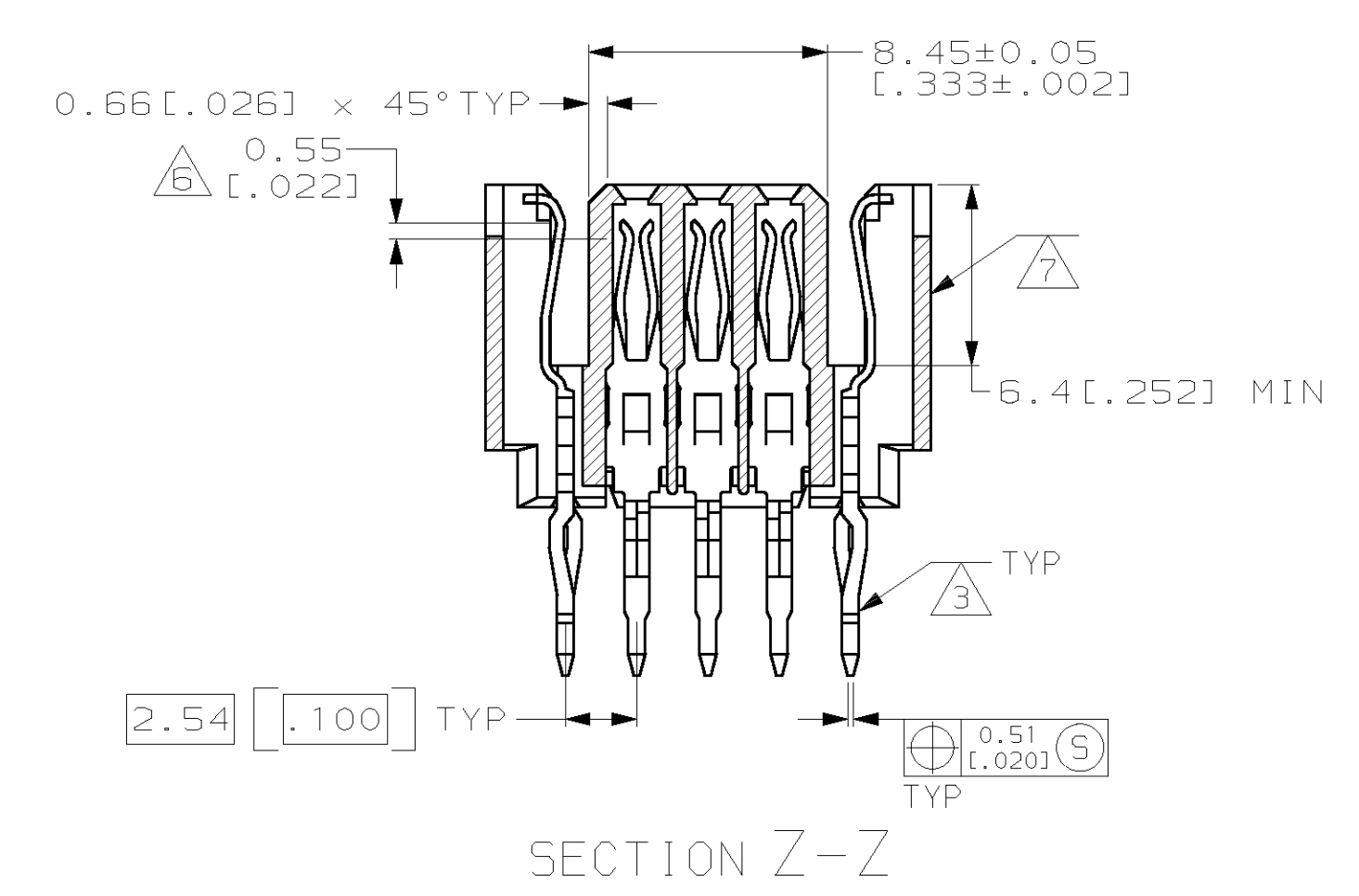
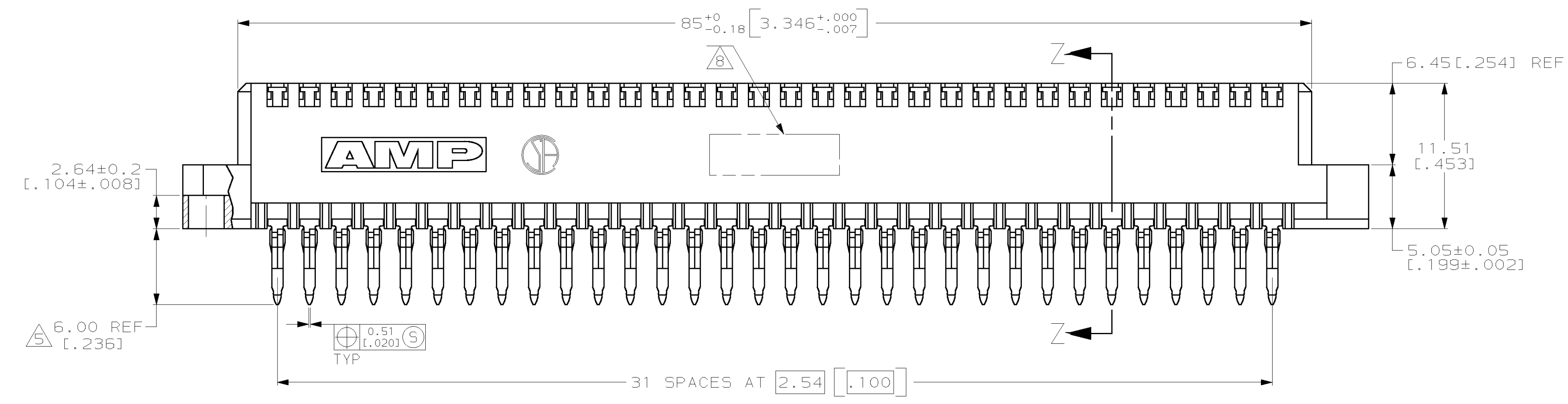
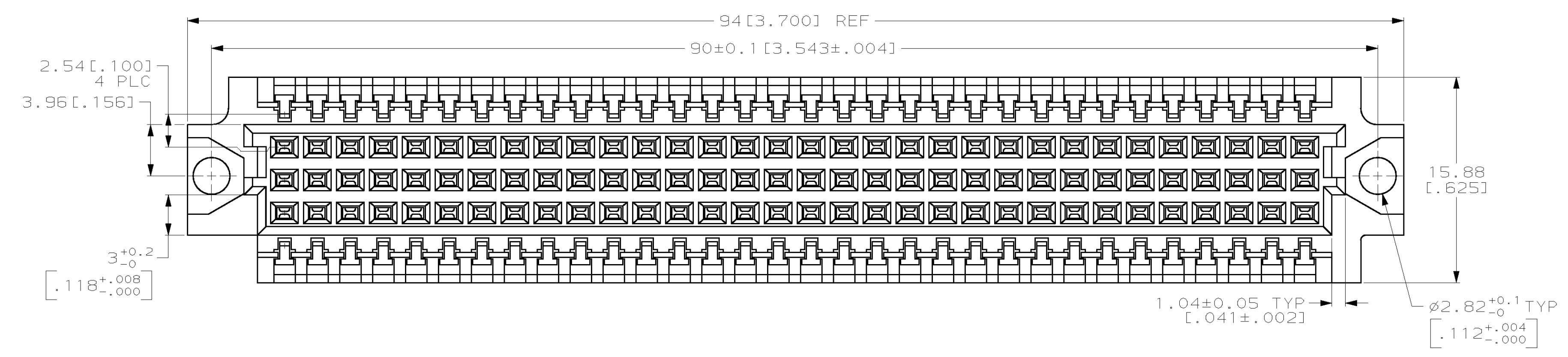


REVISIONS		DATE	OWN	APVD
AD	25			
B	REV PER	0621-0024-99	23JAN99	BH CR

- ① HOUSING MATERIAL: GLASS-FILLED POLYESTER. COLOR: GRAY.
- ② CONTACT MATERIAL: PHOSPHOR BRONZE.
- ③ CONTACT FINISH: DIN 41612 CLASS 2 IN CONTACT AREA TIN-LEAD ON TAILS.
- ④ ACTION PIN POSTS REQUIRE 1.57[.062] MINIMUM THICK PC BOARD. RECOMMENDED PC BOARD DRILLED HOLES ARE $\phi 1.15 \pm 0.025$ [.0453 ± .0010] WITH 0.02-0.08 [.001-.003] COPPER AND 0.008 [.0003] MINIMUM TIN-LEAD PLATING. FINISHED HOLE AFTER PLATING IS $\phi 1.02 \pm 0.08$ [.040 ± .002].
- ⑤ TAIL LENGTH AFTER SEATED IN PC BOARD.
- ⑥ CONTACT POINT AFTER SEATED IN PC BOARD.
- ⑦ HOT-STAMPING ON THIS SIDE.
- ⑧ PART NUMBER AND DATE CODE HOT-STAMPED IN THIS APPROXIMATE AREA.



148452-5
PART NUMBER

THIS DRAWING IS A CONTROLLED DOCUMENT.		Dwn	T. SHUEY	1-15-98
DIMENSIONS:		CHK	-	-
TOLERANCES UNLESS OTHERWISE SPECIFIED:		APVD	-	-
mm	0 PLC ±	NAME	AMP Incorporated Harrisburg, PA 17105-3608	
	1 PLC ±	PRODUCT SPEC	RCPT ASSY, ENHANCED EUROCARD, VME 64, 160 POSITION	
	2 PLC ±0.13 (.005)	APPLICATION SPEC	SIZE CAGE CODE DRAWING NO RESTRICTED TO	
	3 PLC ±	WEIGHT	A1 00779 C-148452 -	
	4 PLC ±	CUSTOMER DRAWING	SCALE 4:1 SHEET 1 OF 1 REV B	
MATERIAL	FINISH			
HOUSING: ①	CONTACT: ②			

单击下面可查看定价，库存，交付和生命周期等信息

[>>TE Connectivity\(泰科\)](#)