

THIS DRAWING IS UNPUBLISHED.

RELEASED FOR PUBLICATION

20

© COPYRIGHT 20 BY -

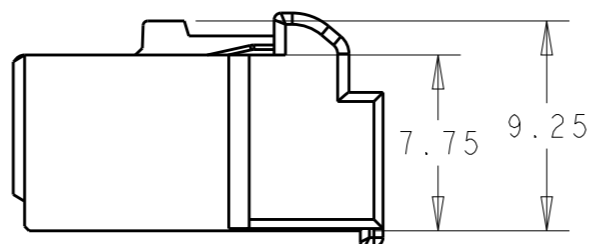
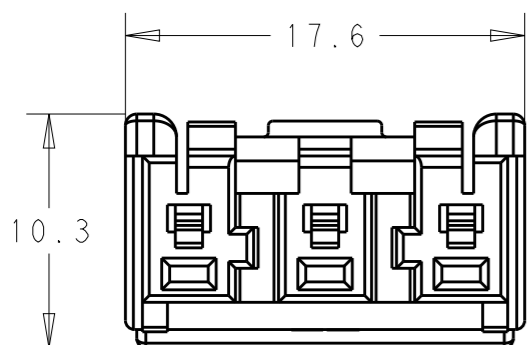
ALL RIGHTS RESERVED.

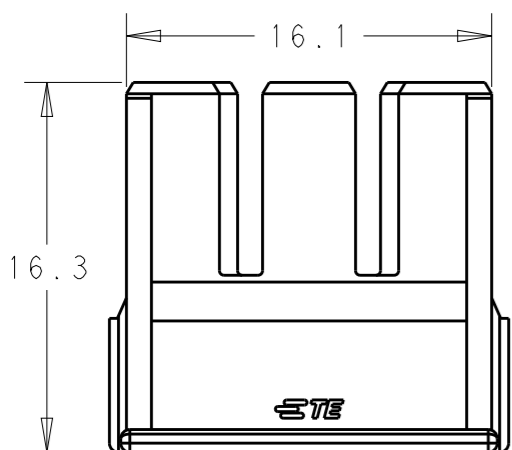
LOC - DIST -

REVISIONS

P	LTR	DESCRIPTION	DATE	DWN	APVD
	A	FORMAL RELEASE	30JULY2015	A.Q	D.Z

3-2232875-1 AS SHOWN



POSITON	P/N	KEYING TYPE	MATING REC P/N	MATING HEAD ASS P/N
2P	2-2232875-1	TYPE A	1376348 1376347	2-2232876-1
2P	2-2232875-2	TYPE B		2-2232876-2
2P	2-2232875-3	TYPE C		2-2232876-3
2P	2-2232875-4	TYPE D		2-2232876-4
3P	3-2232875-1	TYPE A		3-2232876-1
3P	3-2232875-2	TYPE B		3-2232876-2
3P	3-2232875-3	TYPE C		3-2232876-3
3P	3-2232875-4	TYPE D		3-2232876-4

NOTES:

- 1 NYLON UL94 V-0. COLOR: NATRUAL.
- 2 KEYING FEATURE SEE SHEET 1 TABLE 1 & SHEET 2 TABLE 3; P/N SEE SHEET 1 TABLE 2.

THIS DRAWING IS A CONTROLLED DOCUMENT.		DWN 30JUL2015 ANNIE QIAN	TE Connectivity	
DIMENSIONS: mm		CHK 30JUL2015 ANNIE QIAN		
TOLERANCES UNLESS OTHERWISE SPECIFIED:		APVD 30JUL2015 DANIEL ZHANG	NAME GRACE INERTIA CONNECTOR 6.0MM PITCH PLUG HOUSING FOR 2POS. AND 3POS.	
0 PLC ±- 1 PLC ±- 2 PLC ±0.13 3 PLC ±- 4 PLC ±- ANGLES ±1		PRODUCT SPEC 108-106193	SIZE A3	RESTRICTED TO -
MATERIAL		APPLICATION SPEC 114-5292	CAGE CODE -	DRAWING NO C-2232875
FINISH		WEIGHT -	SCALE N/A	SHEET 1 OF 2
		CUSTOMER DRAWING	REV A	

THIS DRAWING IS UNPUBLISHED.

RELEASED FOR PUBLICATION

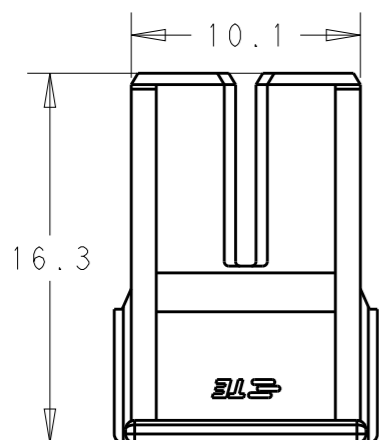
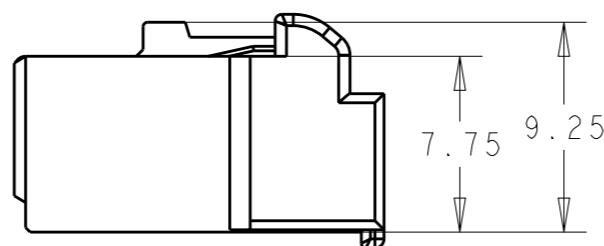
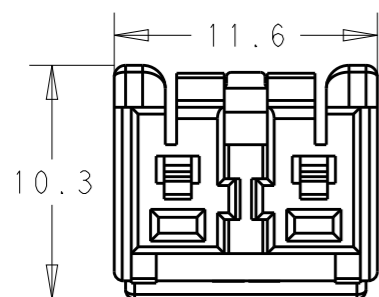
20

© COPYRIGHT 20 BY -

ALL RIGHTS RESERVED.

LOC	DIST	REVISIONS			
P	LTR	DESCRIPTION	DATE	DWN	APVD
-	-	SEE SHEET 1	-	-	-

2-2232875-1 AS SHOWN



TYPE A	TYPE B	TYPE C	TYPE D

NOTES:

1 NYLON UL94 V-0. COLOR: NATRUAL.

THIS DRAWING IS A CONTROLLED DOCUMENT.		DWN ANNIE QIAN 30 JUL 2015	TE Connectivity	
DIMENSIONS: mm		CHK ANNIE QIAN 30 JUL 2015		
TOLERANCES UNLESS OTHERWISE SPECIFIED:		APVD DANIEL ZHANG 30 JUL 2015	NAME GRACE INERTIA CONNECTOR 6.0MM PITCH PLUG HOUSING FOR 2POS. AND 3POS.	
0 PLC ±- 1 PLC ±- 2 PLC ±0.13 3 PLC ±- 4 PLC ±- ANGLES ±1		PRODUCT SPEC 108-106193	SIZE A3	CAGE CODE -
MATERIAL 1	FINISH -	APPLICATION SPEC 114-5292	DRAWING NO C-2232875	RESTRICTED TO -
CUSTOMER DRAWING			SCALE N/A	SHEET 2 OF 2 REV A

单击下面可查看定价，库存，交付和生命周期等信息

[>>TE Connectivity\(泰科\)](#)