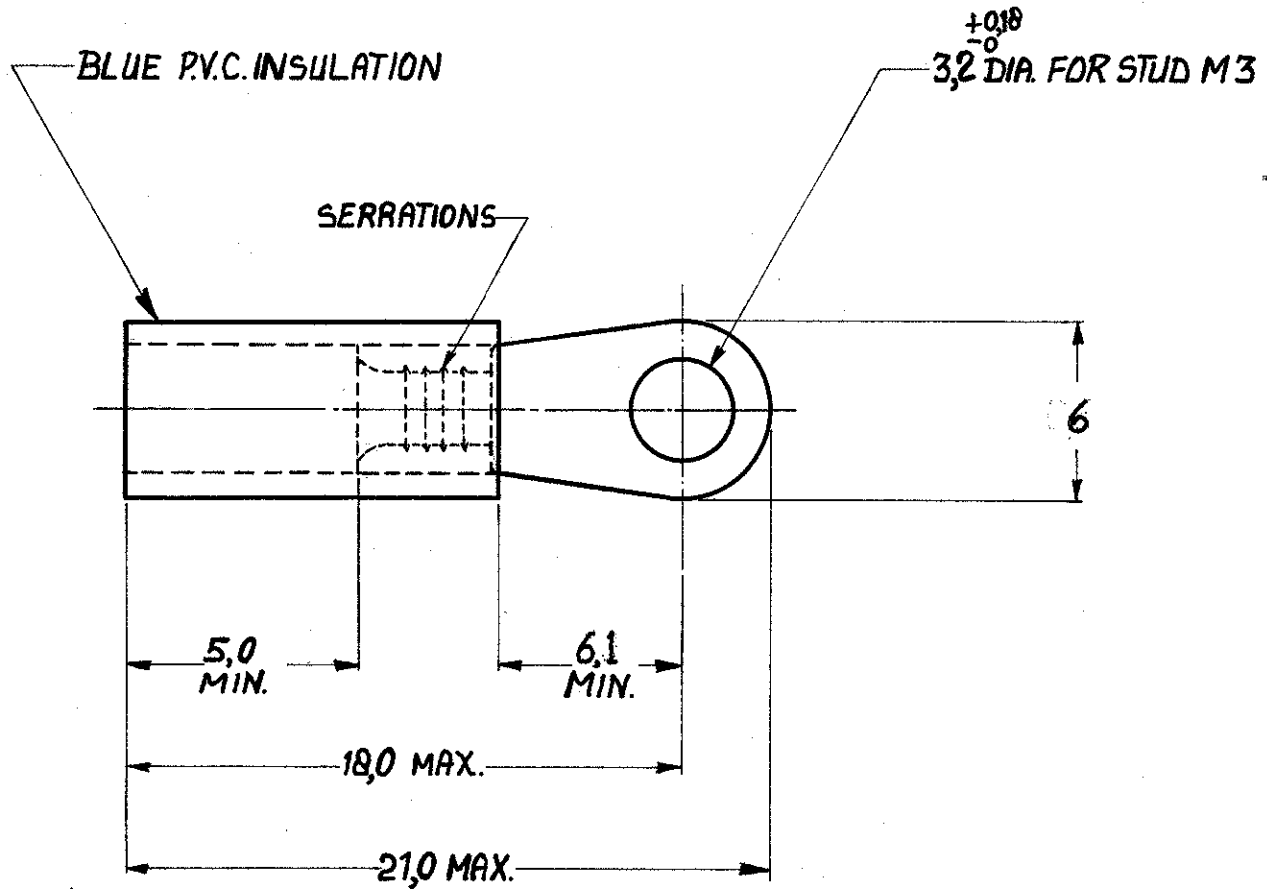



NUMBER C-165406-E



TONGUE MATERIAL THICKNESS: 0,8

REV C 20-8-85
DIMENSIONS IN M.M. DO NOT SCALE PRINT

2-165406-1	165406 TAPE MOUNTED	
165406	COPPER	TIN
ORDER NO.	MATERIAL	PLATING
DR R. Bissett 30/10-70	DATE	DE
CHK	DATE	APP

CUSTOMER COPY FOR REFERENCE ONLY					
©1970 BY AMP-HOLLAND N.V. ALL RIGHTS RESERVED A-MP PRODUCTS COVERED BY PATENTS AND/OR PATENTS PENDING.					 AMP-HOLLAND N.V. 's-HERTOGENBOSCH HOLLAND
WIRE-RANGE	INSUL.-RANGE	TYPE		DIN	
1,5-2,5 mm ²	3,9 DIA. MAX.	PLASTI-GRIP			
SCALE	LOC	SIZE	NO	REV	
4:1	H	A	C-165406-E	E	
NAME INICI II ATEN RINGTONGUE for stud M3					

单击下面可查看定价，库存，交付和生命周期等信息

[>>TE Connectivity\(泰科\)](#)