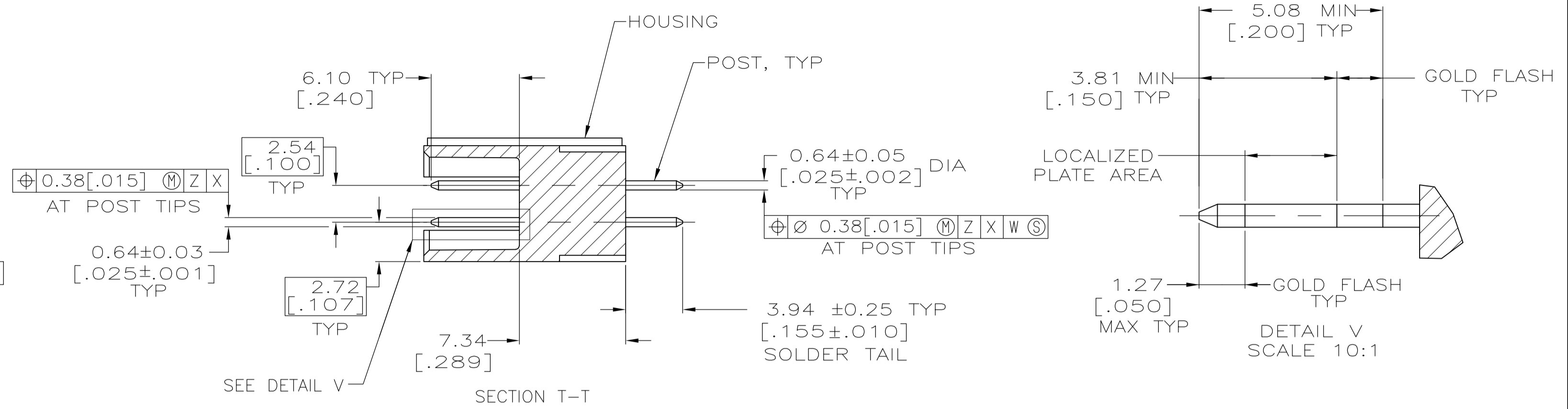
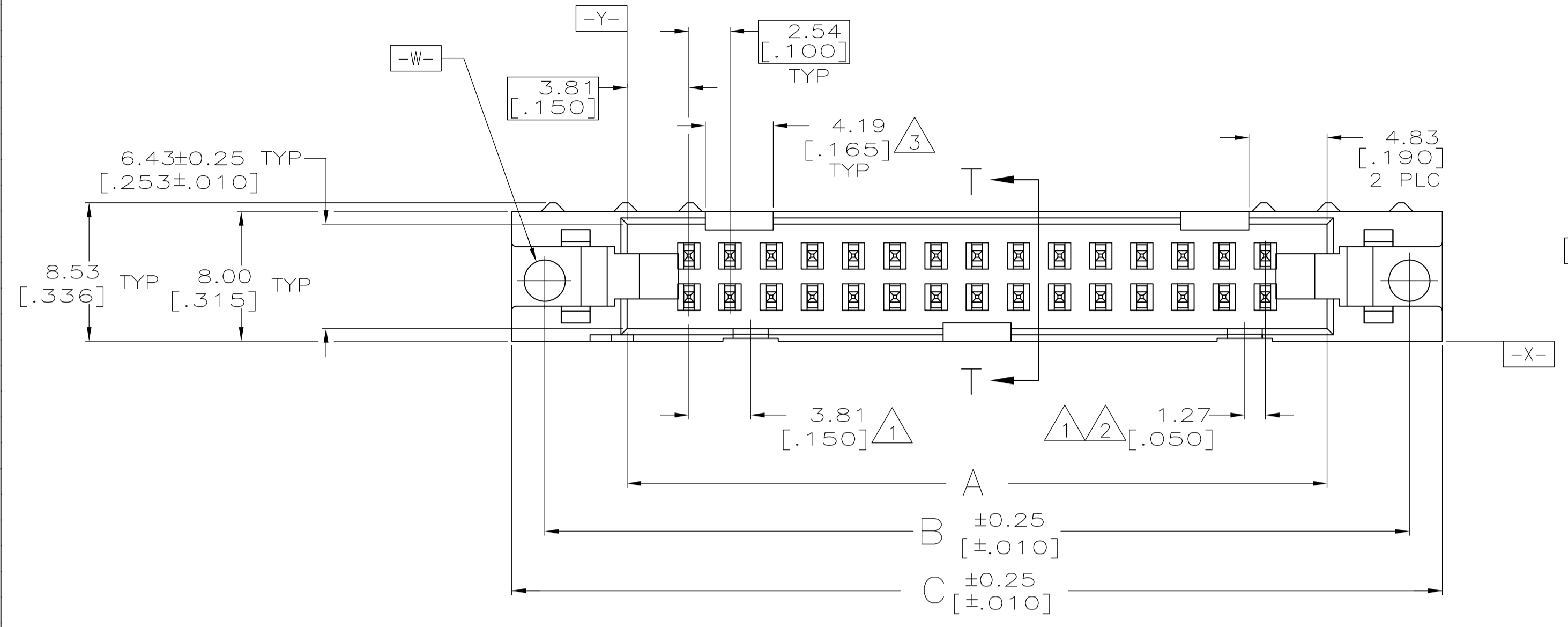
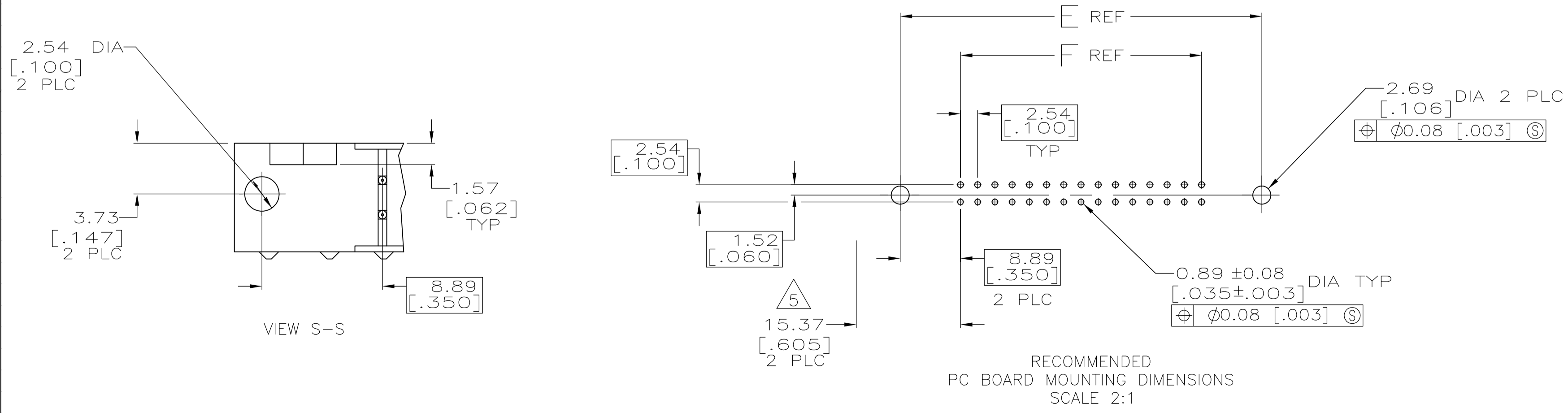
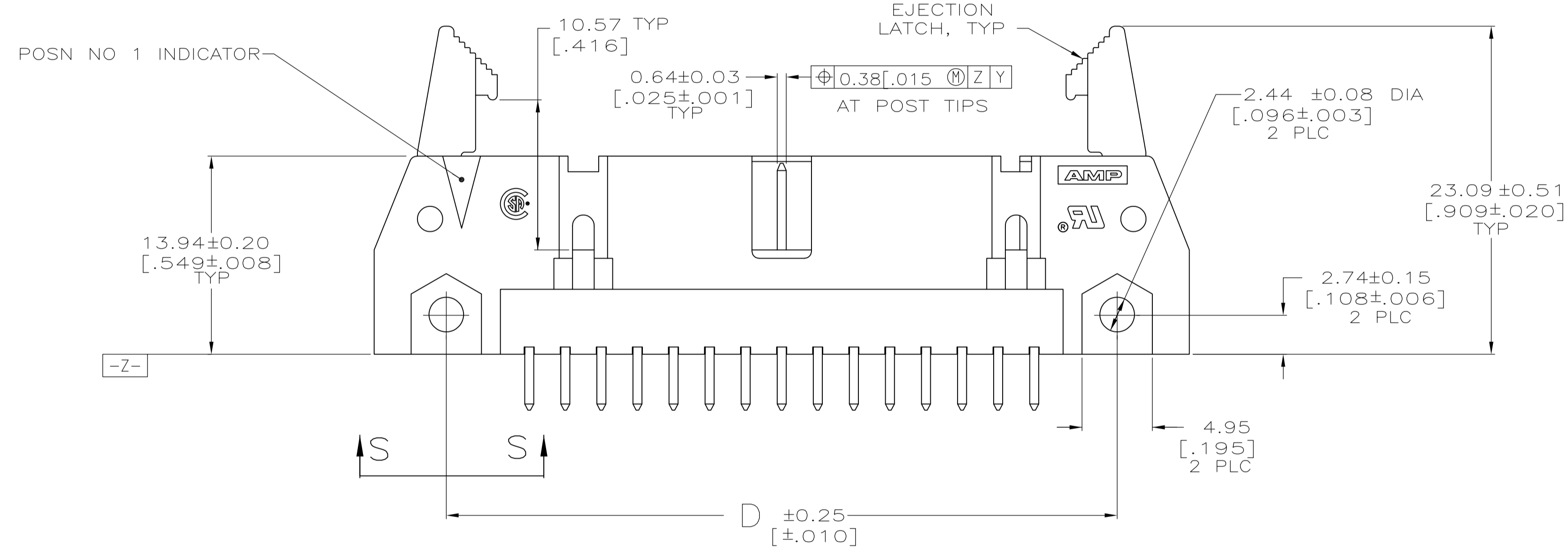


EJECTION LATCHES OMITTED IN THIS VIEW FOR CLARITY



- 1 COORDINATE DIMENSION APPLIES FROM BASIC LOCATION.
- 2 10 AND 14 POSITION SIZES CONTAIN ONLY ONE SLOT FOR SNAP-IN POLARIZER (MILITARY POLARIZATION) LOCATED AS SHOWN.
- 3 10 POSITION SIZES CONTAIN ONLY ONE SLOT FOR DUAL POLARIZATION, LOCATED AS SHOWN.
- 4. RECOMMENDED PRINTED CIRCUIT BOARD THICKNESS IS 3.18 [.125].
- 5 DISTANCE REQUIRED BY EJECTION LATCHES IN THE OPEN POSITION.
- 6 POSTS:
GOLD FLASH OVER PALLADIUM-NICKEL PLATE, 0.38μm [.000015] MIN TOTAL ON THE LOCALIZED PLATE AREA,
2.54μm [.000100] MIN TIN-LEAD PLATE ON THE SOLDER-TAIL,
1.27μm [.000050] MIN NICKEL UNDERPLATE ON THE ENTIRE POST.
OR
0.38μm [.000015] MIN GOLD PLATE ON THE LOCALIZED PLATE AREA,
2.54μm [.000100] MIN TIN-LEAD PLATE ON THE SOLDER-TAIL,
1.27μm [.000050] MIN NICKEL UNDERPLATE ON THE ENTIRE POST.
- 7 MATERIAL:
HOUSING: GLASS FILLED NYLON OR POLYESTER, 94V-0 RATED, BLACK.
POSTS: BRASS.
- 8 OBSOLETE PARTS: OBSOLETE CIS STREAMLINING PER D.RENAUD/D.SINISI



RECOMMENDED PC BOARD MOUNTING DIMENSIONS SCALE 2:1

| | | | | | | | | | | |
|--------------------------|----------------|----------|---------------|---------------|---------------|----------------|---------------|---------------|------------|-------------|
| OBSELETE | - | - | 53.34 [2.100] | 71.12 [2.800] | 65.02 [2.560] | 75.18 [2.960] | 71.12 [2.800] | 60.96 [2.400] | 44 | 1-499911-3 |
| SUPERSEDED BY 1-102156-2 | 1-102156-2 | 102312-1 | 78.74 [3.100] | 96.52 [3.800] | 90.42 [3.560] | 100.58 [3.960] | 96.52 [3.800] | 86.36 [3.400] | 64 | 1-499911-2 |
| SUPSD BY 1-499374-1 | - | - | 73.66 [2.900] | 91.44 [3.600] | 85.34 [3.360] | 95.50 [3.760] | 91.44 [3.600] | 81.28 [3.200] | 60 | 1-499911-1 |
| OBSELETE | - | - | 60.96 [2.400] | 78.74 [3.100] | 72.64 [2.860] | 82.80 [3.260] | 78.74 [3.100] | 68.58 [2.700] | 50 | 1-499911-0 |
| SUPERSEDED BY 5499911-9 | - | - | 48.26 [1.900] | 66.04 [2.600] | 59.94 [2.360] | 70.10 [2.760] | 66.04 [2.600] | 55.88 [2.200] | 40 | 499911-9 |
| OBSELETE | - | - | 40.64 [1.600] | 58.42 [2.300] | 52.32 [2.060] | 62.48 [2.460] | 58.42 [2.300] | 48.26 [1.900] | 34 | 499911-8 |
| SUPERSEDED | - | - | 35.56 [1.400] | 53.34 [2.100] | 47.24 [1.860] | 57.40 [2.260] | 53.34 [2.100] | 43.18 [1.700] | 30 | 499911-7 |
| SUPSD BY 499374-6 | - | - | 30.48 [1.200] | 48.26 [1.900] | 42.16 [1.660] | 52.32 [2.060] | 48.26 [1.900] | 38.10 [1.500] | 26 | 499911-6 |
| OBSELETE | - | - | 27.94 [1.100] | 45.72 [1.800] | 39.62 [1.560] | 49.78 [1.960] | 45.72 [1.800] | 35.56 [1.400] | 24 | 499911-5 |
| OBSELETE | - | - | 22.86 [0.900] | 40.64 [1.600] | 34.54 [1.360] | 44.70 [1.760] | 40.64 [1.600] | 30.48 [1.200] | 20 | 499911-4 |
| OBSELETE | - | - | 17.78 [0.700] | 35.56 [1.400] | 29.46 [1.160] | 39.62 [1.560] | 35.56 [1.400] | 25.40 [1.000] | 16 | 499911-3 |
| SUPSD BY 499374-2 | - | - | 15.24 [0.600] | 33.02 [1.300] | 26.92 [1.060] | 37.08 [1.460] | 33.02 [1.300] | 22.86 [0.900] | 14 | 499911-2 |
| OBSELETE | - | - | 10.16 [0.400] | 27.94 [1.100] | 21.84 [0.860] | 32.00 [1.260] | 27.94 [1.100] | 17.78 [0.700] | 10 | 499911-1 |
| HEADER QTY: 1 | LATCHES QTY: 2 | | F | E | D | C | B | A | NO OF POSN | PART NUMBER |
| SUPERSEDED BY | | | | | | | | | | |

THIS DRAWING IS A CONTROLLED DOCUMENT.

| | | | | |
|-------------------------|--|---------------------|-----------|--|
| DIMENSIONS: mm [INCHES] | TOLERANCES UNLESS OTHERWISE SPECIFIED: | DIN H. MOLL 4-23-90 | 4-23-90 | Tyco Electronics Corporation Harrisburg, PA 17105-3608 |
| 0 PLC ± .01 | 1 PLC ± .015 | 11-28-90 | | |
| 2 PLC ± .02 | 2 PLC ± .02 | | | |
| 3 PLC ± .03 | 3 PLC ± .03 | | | |
| 4 PLC ± .04 | 4 PLC ± .04 | | | |
| ANGLES ± .5 | ANGLES ± .5 | | | |
| MATERIAL | FINISH | APVD | NAME | PRODUCT SPEC |
| | | | | 108-40018 |
| | | | | APPLICATION SPEC |
| | | SIZE | CAGE CODE | DRAWING NO |
| | | A1 | 00779 | 499911 |
| | | WEIGHT | | RESTRICTED TO |
| | | | | |
| | | CUSTOMER DRAWING | SCALE 4:1 | SHEET 1 of 1 |

单击下面可查看定价，库存，交付和生命周期等信息

[>>TE Connectivity\(泰科\)](#)