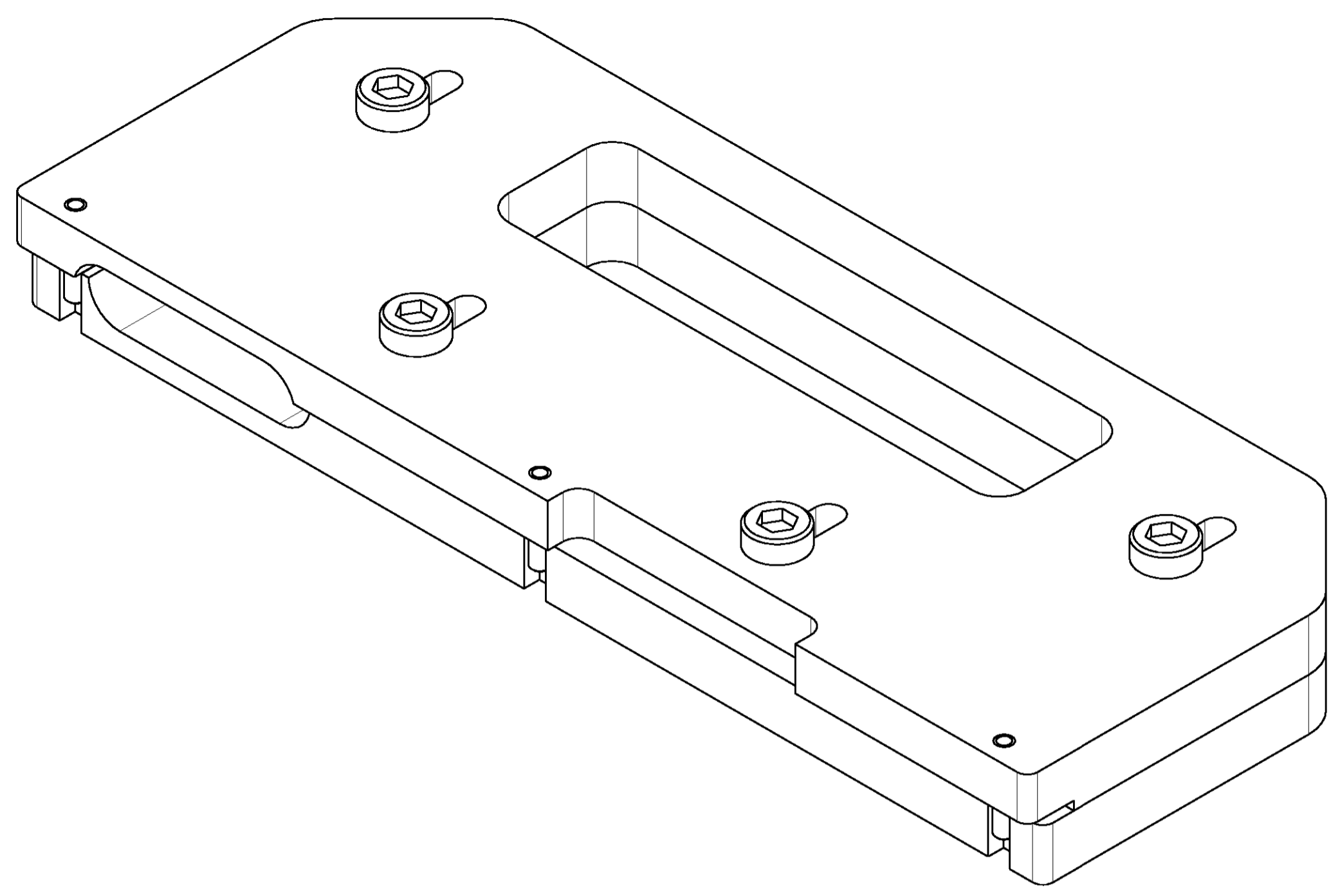
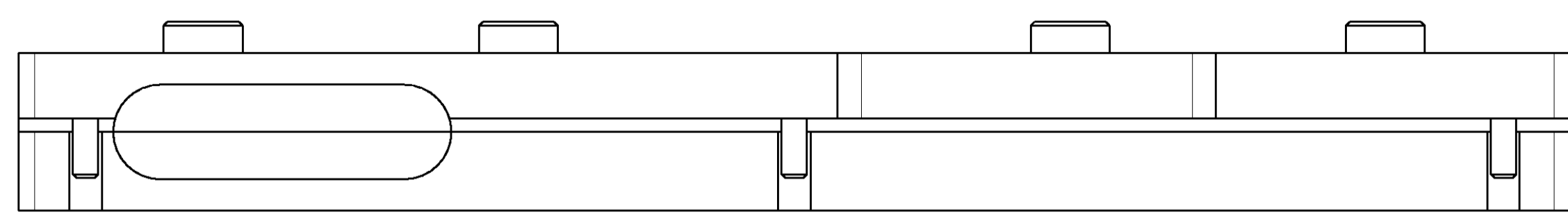
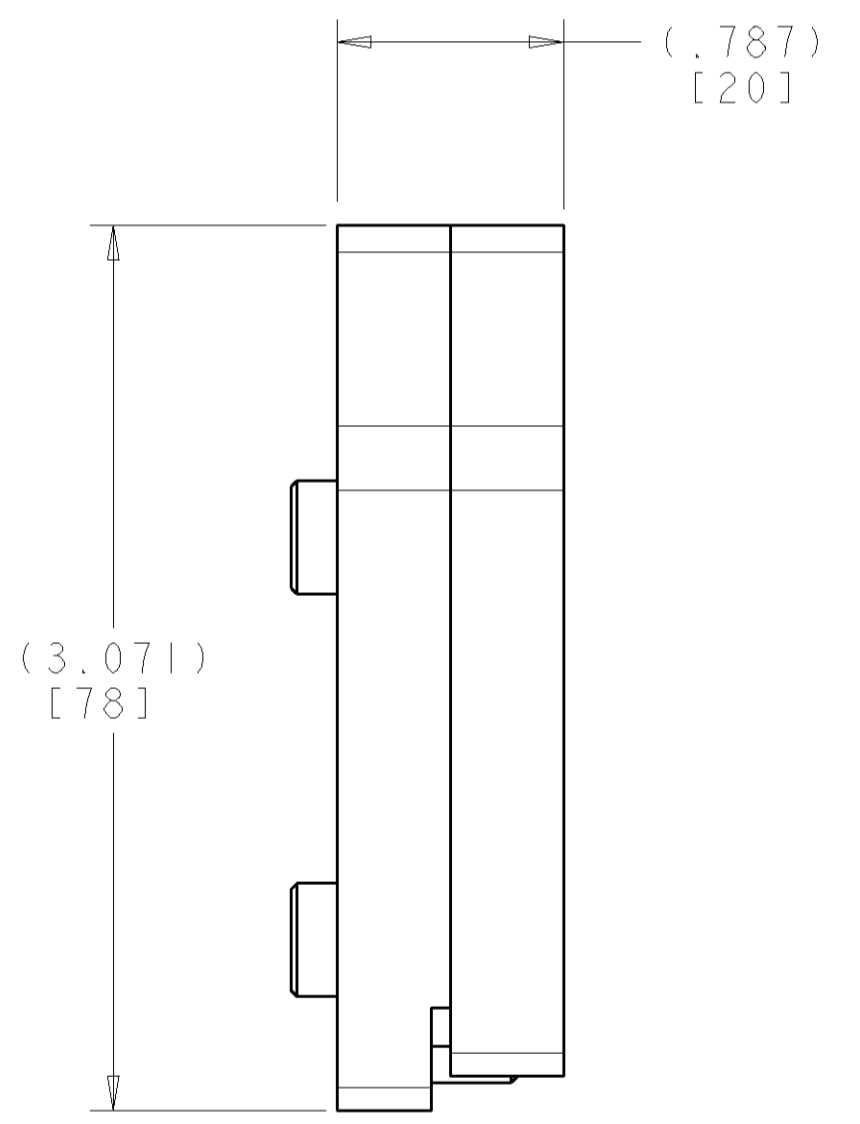
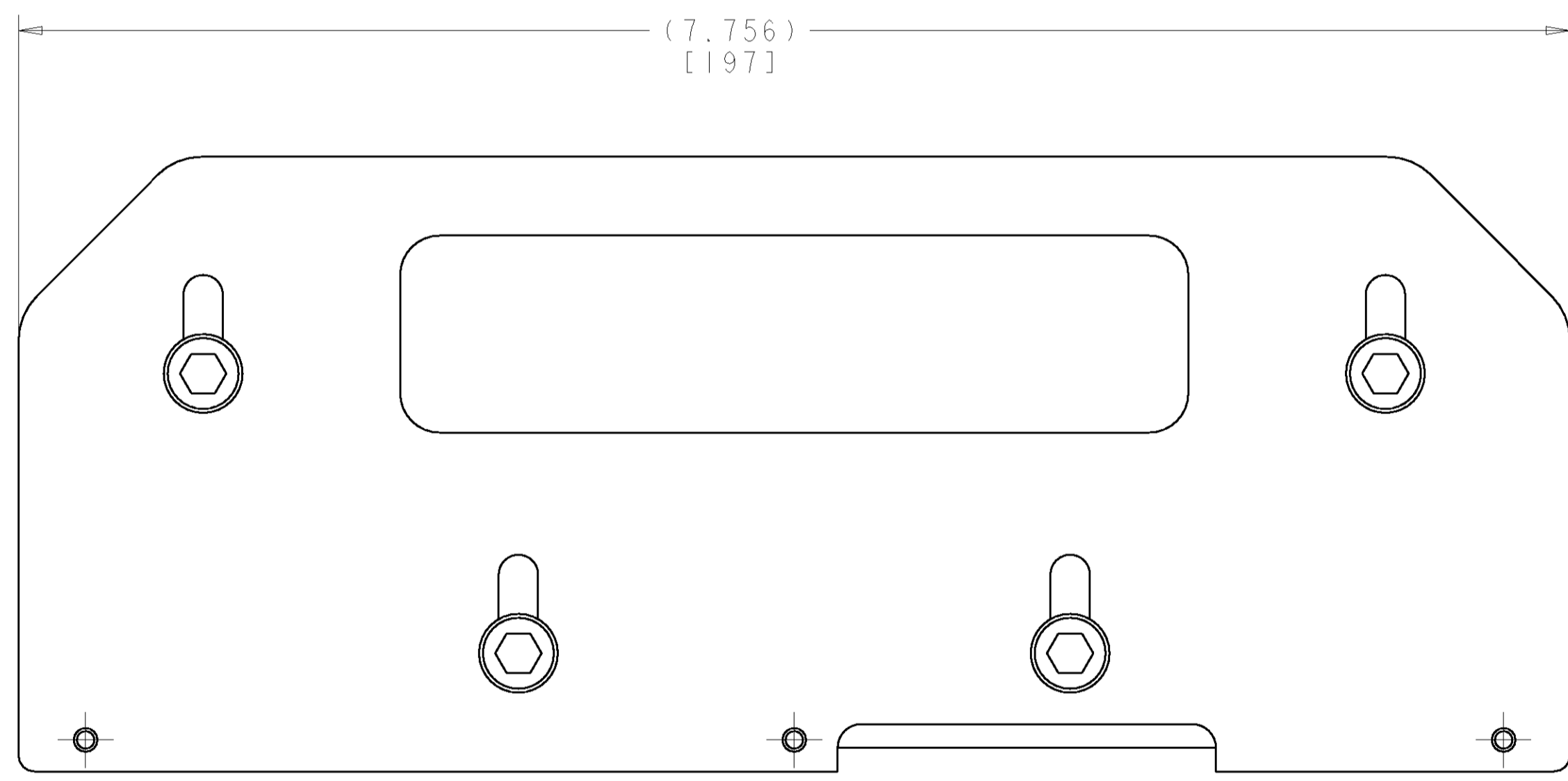


LOC		DIST		REVISIONS			
P	LTR	DESCRIPTION	DATE	DWN	APVD		
A		REV-EC 0B60-0019-04	25FEB04	LH	MD		



1. MATERIAL: ACRYLIC.
2. ALL DIMENSIONS ARE NOMINAL.



1435491-1
PART NO.

<small>THE DIMENSIONS OF DIMENSIONS SHOWN ON THIS DRAWING ARE NOMINAL UNLESS OTHERWISE SPECIFIED. IT IS THE BUYER'S RESPONSIBILITY TO CONTACT THE SUPPLIER FOR THE CORRECT POSITION.</small>		DWN: L HALL 25FEB04 CHK: M DELPHIAS 25FEB04 APVD: M DELPHIAS 25FEB04	tyco Electronics Tyco Electronics Harrisburg, PA 17105-3608
DIMENSIONS: MM [INCHES]	TOLERANCES UNLESS OTHERWISE SPECIFIED: 0 PLC ± 1 PLC ± 2 PLC ± 3 PLC ± 4 PLC ± ANGLES ±	NAME: TOOL ANALYZER EXPANSION CARD EXTRACT, AMPTRAC PRODUCT SPEC: APPLICATION SPEC: WEIGHT:	SIZE: CAGE CODE: DRAWING NO: 1435491 RESTRICTED TO:
MATERIAL:	FINISH:	WEIGHT: CUSTOMER DRAWING	SCALE: 3:2 SHEET 1 OF 1 REV A

单击下面可查看定价，库存，交付和生命周期等信息

[>>TE Connectivity\(泰科\)](#)