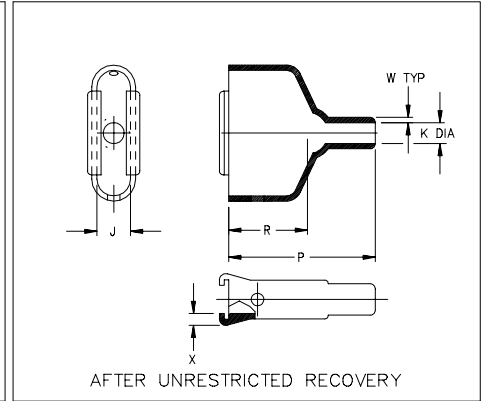
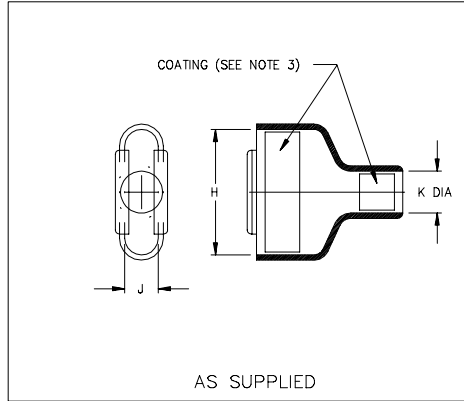


Thermofit[®] Molded Parts Specification Control Drawing Limited Distribution

Part Number : 214A021-25/225
Description : Boot, Rectangular,
Subminiature, Straight

NOTES

- All dimensions are in $\frac{\text{inches}}{[\text{millimeters}]}$; $\frac{\text{lbs}}{[\text{gms}]}$
- Dimensions appearing in table are as follows:
 - a - As Supplied
 - b - After Unrestricted Recovery
- Coating is optional. As supplied dimensions appearing in table are for uncoated parts. When coating is added, entry diameters will be reduced by .06 max.



PART NUMBER	H		J		K		P	R	W	X	This Boot Fits					
	Min	±5%	Min	±5%	Min	Max					±10%	±10%	±20%	±20%	Cannon/Cinch	Amphenol Series 17
	a	b	a	b	a	b					b	b	b			
214A021-25/225	1.10 [28,0]	1.11 [28,2]	.59 [15,0]	.42 [10,7]	.43 [11,0]	.21 [5,3]	1.53 [39,0]	.87 [22,0]	.04 [1,0]	.12 [3,0]	DA-15	XX15X				

**If this document is printed it becomes uncontrolled.
Check for the latest revision.**

Raychem

RAYCHEM CORPORATION
300 CONSTITUTION DRIVE
MENLO PARK, CALIFORNIA 94025

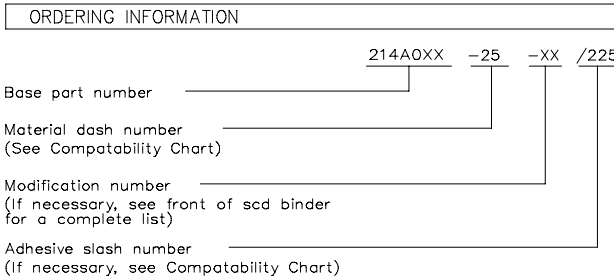
Revision : A
Date : 10/30/97

Part Number : 214A021-25/225
Description : Boot, Rectangular,
Subminiature, Straight

Thermofit[®] Molded Parts Specification Control Drawing Limited Distribution

Part Number : 214A021-25/225
Description : Boot, Rectangular,
Subminiature, Straight

COMPATABILITY CHART					
MATERIAL DASH NO.	MATERIAL DESCRIPTION	RT SPEC	COATING SLASH NO.	COATING S NO.	COATING DESCRIPTION
-25	Elastomer, Fluid Resistant	RT-1325	/225	S-1026	Adhesive



THIS DRAWING IS SUBJECT TO CHANGE WITHOUT NOTICE; CONSULT YOUR
NEAREST FIELD REPRESENTATIVE FOR CURRENT REVISION

Raychem
RAYCHEM CORPORATION
300 CONSTITUTION DRIVE
MENLO PARK, CALIFORNIA 94025

Revision : A
Date : 10/30/97

Part Number : 214A021-25/225
Description : Boot, Rectangular,
Subminiature, Straight

CAD FILE MP97171

单击下面可查看定价，库存，交付和生命周期等信息

[>>TE Connectivity\(泰科\)](#)