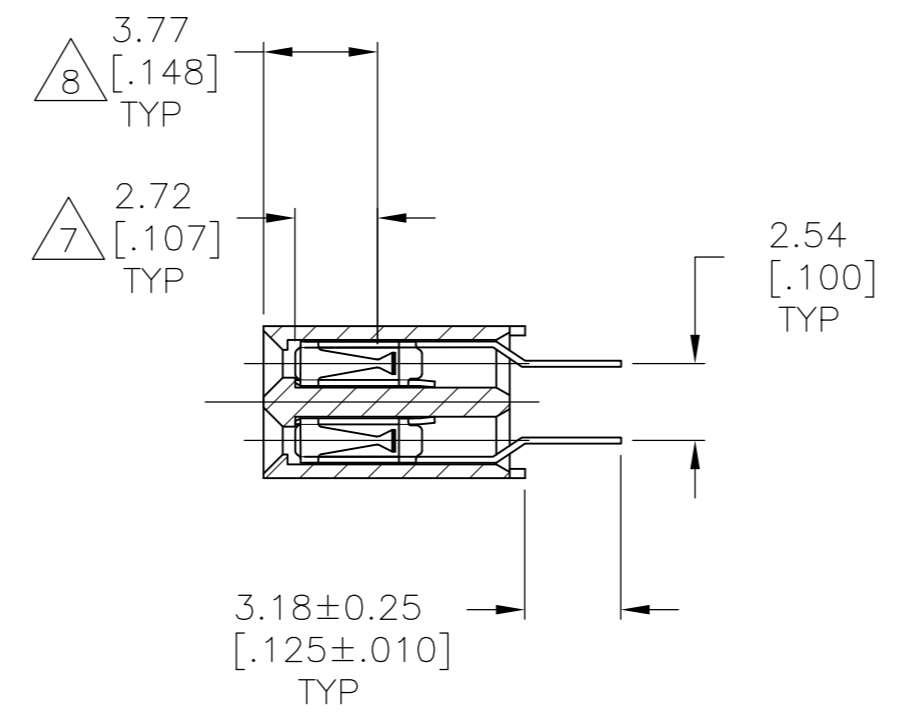
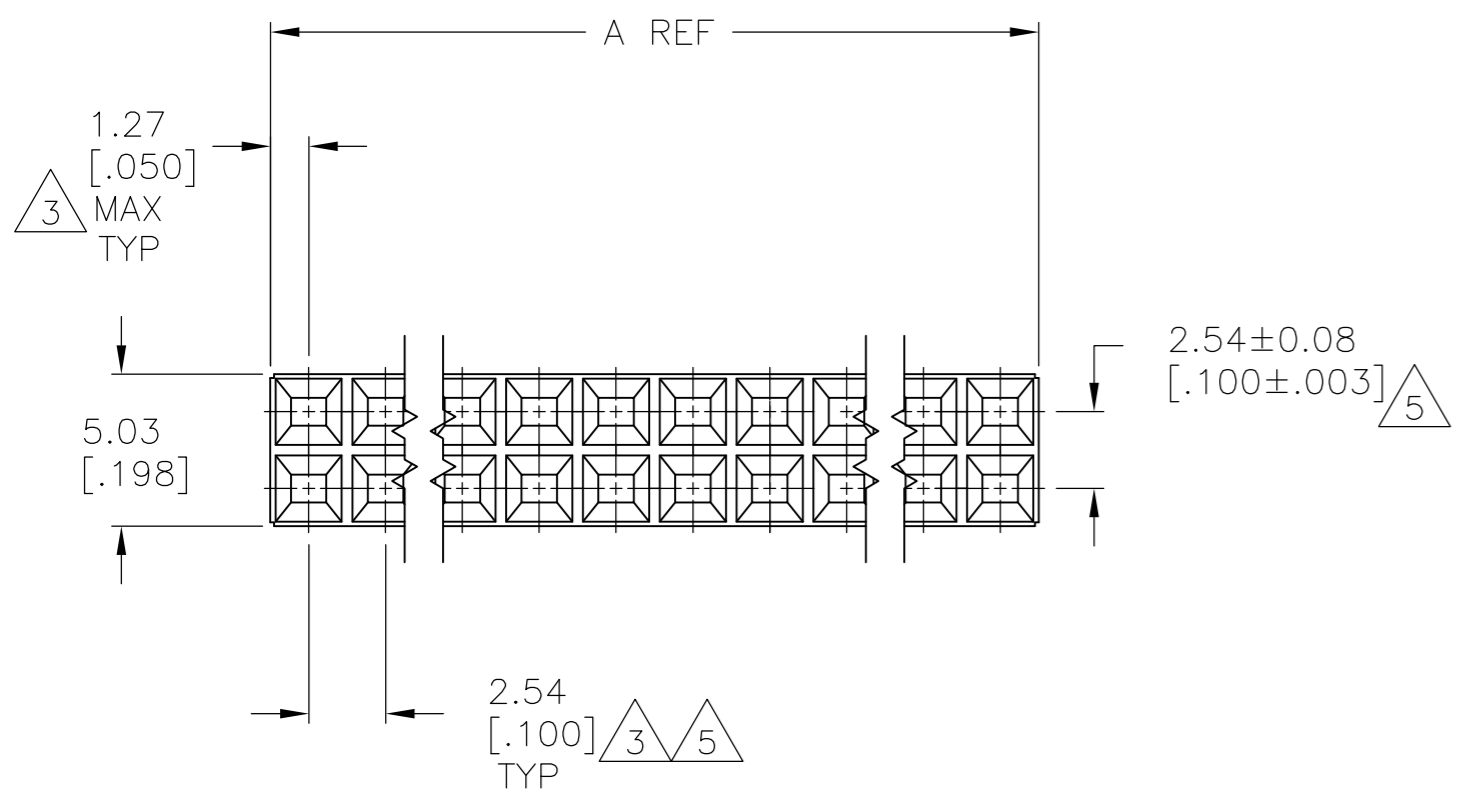
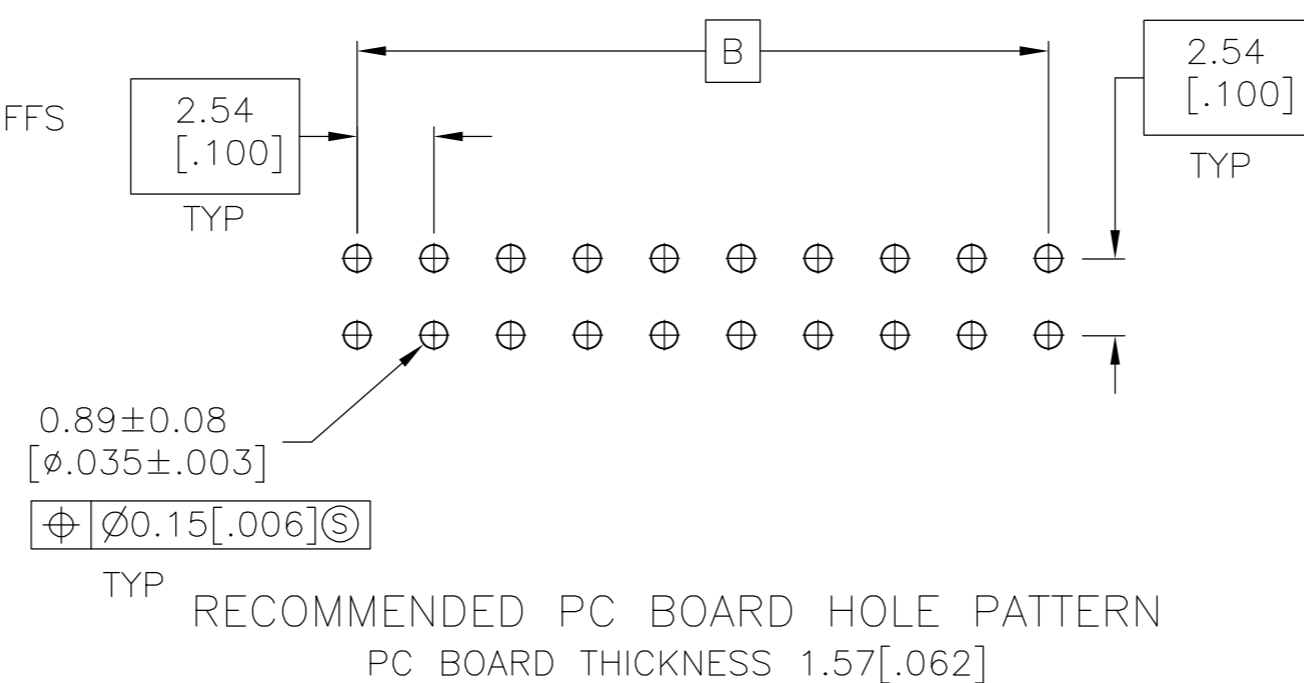
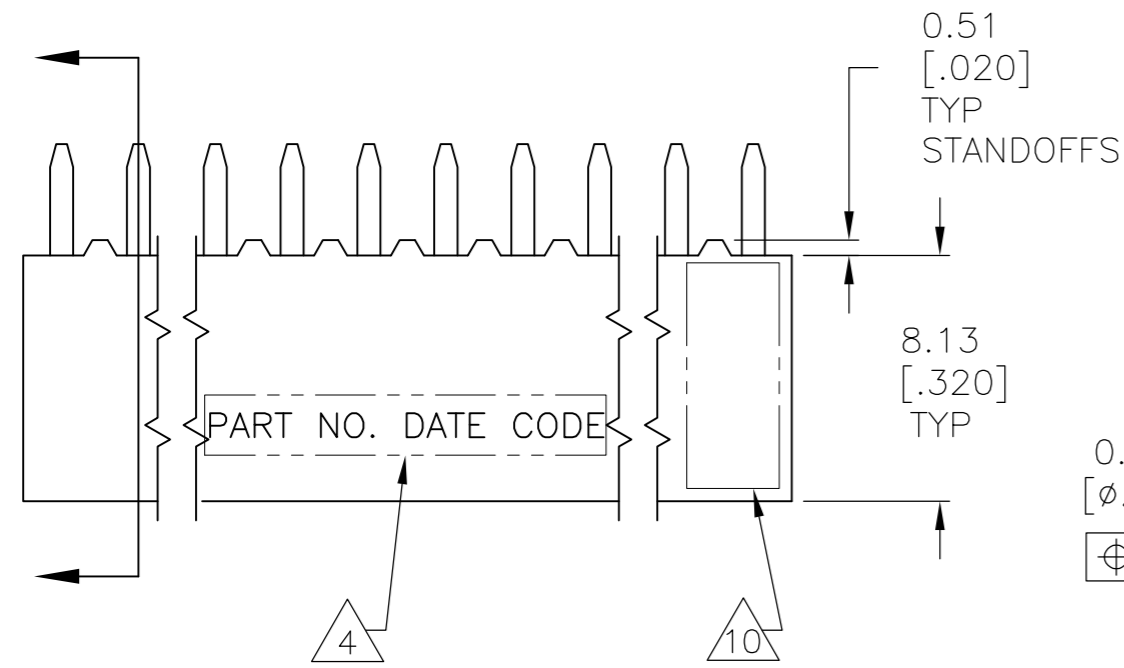


THIS DRAWING IS UNPUBLISHED. RELEASED FOR PUBLICATION
 © COPYRIGHT - By - ALL RIGHTS RESERVED.

| LOC | | DIST | | REVISIONS | | | | |
|-----|-----|-------------|---------------------------|-----------|------|-----|------|--|
| P | LTR | DESCRIPTION | | | DATE | DWN | APVD | |
| AD | 00 | J5 | REVISED PER ECO-13-005565 | 29MAR13 | KH | JO | | |



| FINISH | B | A | NO OF POSN | PART NUMBER |
|--------|---------------|----------------|------------|-------------|
| △2 | 99.06 [3.900] | 101.60 [4.000] | 80 | 4-146762-0 |
| △2 | 96.52 [3.800] | 99.06 [3.900] | 78 | 3-146762-9 |
| △2 | 93.98 [3.700] | 96.52 [3.800] | 76 | 3-146762-8 |
| △2 | 91.44 [3.600] | 93.98 [3.700] | 74 | 3-146762-7 |
| △2 | 88.90 [3.500] | 91.44 [3.600] | 72 | 3-146762-6 |
| △2 | 86.36 [3.400] | 88.90 [3.500] | 70 | 3-146762-5 |
| △2 | 83.82 [3.300] | 86.36 [3.400] | 68 | 3-146762-4 |
| △2 | 81.28 [3.200] | 83.82 [3.300] | 66 | 3-146762-3 |
| △2 | 76.20 [3.000] | 78.74 [3.100] | 62 | 3-146762-2 |
| △2 | 73.66 [2.900] | 76.20 [3.000] | 60 | 3-146762-1 |
| △2 | 71.12 [2.800] | 73.66 [2.900] | 58 | 3-146762-0 |
| △2 | 68.58 [2.700] | 71.12 [2.800] | 56 | 2-146762-9 |
| △2 | 66.04 [2.600] | 68.58 [2.700] | 54 | 2-146762-8 |
| △2 | 63.50 [2.500] | 66.04 [2.600] | 52 | 2-146762-7 |
| △2 | 60.96 [2.400] | 63.50 [2.500] | 50 | 2-146762-6 |
| △2 | 58.42 [2.300] | 60.96 [2.400] | 48 | 2-146762-5 |
| △2 | 55.88 [2.200] | 58.42 [2.300] | 46 | 2-146762-4 |
| △2 | 53.34 [2.100] | 55.88 [2.200] | 44 | 2-146762-3 |
| △2 | 50.80 [2.000] | 53.34 [2.100] | 42 | 2-146762-2 |
| △2 | 45.72 [1.800] | 48.26 [1.900] | 38 | 2-146762-1 |
| △2 | 43.18 [1.700] | 45.72 [1.800] | 36 | 2-146762-0 |
| △2 | 40.64 [1.600] | 43.18 [1.700] | 34 | 1-146762-9 |
| △2 | 38.10 [1.500] | 40.64 [1.600] | 32 | 1-146762-8 |
| △2 | 33.02 [1.300] | 35.56 [1.400] | 28 | 1-146762-7 |
| △2 | 30.48 [1.200] | 33.02 [1.300] | 26 | 1-146762-6 |
| △2 | 27.94 [1.100] | 30.48 [1.200] | 24 | 1-146762-5 |
| △2 | 25.40 [1.000] | 27.94 [1.100] | 22 | 1-146762-4 |
| △2 | 17.78 [.700] | 20.32 [.800] | 16 | 1-146762-3 |
| △2 | 15.24 [.600] | 17.78 [.700] | 14 | 1-146762-2 |
| △2 | 12.70 [.500] | 15.24 [.600] | 12 | 1-146762-1 |
| △9 | 5.08 [.200] | 7.62 [.300] | 6 | 1-146762-0 |
| △9 | 2.54 [.100] | 5.08 [.200] | 4 | 146762-9 |
| △9 | - | 2.54 [.100] | 2 | △6 146762-8 |
| △2 | 22.86 [.900] | 25.40 [1.000] | 20 | 146762-7 |
| △2 | 78.74 [3.100] | 81.28 [3.200] | 64 | 146762-6 |
| △2 | 48.26 [1.900] | 50.80 [2.000] | 40 | 146762-5 |
| △2 | 35.56 [1.400] | 38.10 [1.500] | 30 | 146762-4 |
| △2 | 20.32 [.800] | 22.86 [.900] | 18 | 146762-3 |
| △9 | 10.16 [.400] | 12.70 [.500] | 10 | 146762-2 |
| △9 | 7.62 [.300] | 10.16 [.400] | 8 | 146762-1 |

- △1 HOUSING: FLAME RETARDANT, GLASS FILLED, POLYESTER, COLOR: BLACK. CONTACT: PHOSPHOR BRONZE
- △2 CONTACT: 3.81-7.62MICROMETERS(.000150-.000300) BRIGHT TIN-LEAD OVER 1.27µm[.000050] MINIMUM NICKEL
- △3 THESE DIMENSIONS PERTAIN TO CAVIITY CENTERLINES ONLY - NOT TO CONTACT LOCATIONS
- △4 MARK PART NUMBER AND DATE CODE IN APPROXIMATE LOCATION SHOWN. EITHER SIDE.
- △5 TOLERANCE IS NON-CUMULATIVE.
- △6 2 POSITION DATE CODE IS MARKED OPPOSITE SIDE OF TE CONNECTIVITY LOGO.
- △7 POINT-OF-MEASUREMENT DIMENSION FOR PLATING THICKNESS (INSIDE CONTACT BEAM).
- △8 POINT-OF-CONTACT DIMENSION.
- △9 NO PART NUMBER MARKING REQUIRED FOR THIS PART.
- △10 TE CONNECTIVITY LOGO AND CSA LOGO ARE MOLDED INTO HOUSING.
- △11 CONTACT: 3.81-7.62 MICROMETERS (.000150-.000300) MATTE TIN OVER 1.27 MICROMETERS (.000050) MINIMUM NICKEL
- △12 ROHS 2002 /95/EC COMPLIANT

SUPERSEDED 6-146762-2
 SUPERSEDED 6-146762-0
 SUPERSEDED 5-146762-9

THIS DRAWING IS A CONTROLLED DOCUMENT. DWN M.BINNER 06NOV2002
 CHK J.OLSON 06NOV02
 APVD J.OLSON 06NOV02

DIMENSIONS: mm [INCHES] TOLERANCES UNLESS OTHERWISE SPECIFIED:
 0 PLC ± -
 1 PLC ± -
 2 PLC ± 0.13[.005]
 3 PLC ± -
 4 PLC ± -
 ANGLES ± -
 FINISH △1 △2 △11

PRODUCT SPEC 108-25022
 APPLICATION SPEC 114-25018

MATERIAL △1 FINISH △2 △11

NAME RECEPTACLE ASSEMBLY, MOD IV, DOUBLE ROW, TOP ENTRY, .100X.100CL, VERTICAL MOUNT, AMPMODU

SIZE A2 CAGE CODE 00779 DRAWING NO C=146762 RESTRICTED TO -

CUSTOMER DRAWING SCALE 4:1 SHEET 1 of 2 REV J5

THIS DRAWING IS UNPUBLISHED. RELEASED FOR PUBLICATION
 © COPYRIGHT - By - ALL RIGHTS RESERVED.

| LOC | DIST | REVISIONS | | | |
|-----|------|-------------|------|-----|------|
| P | LTR | DESCRIPTION | DATE | DWN | APVD |
| - | - | SEE SHEET I | - | - | - |

| | | | | | |
|--------|---------------|----------------|------------|-------------|------------|
| 11 | 99.06 [3.900] | 101.60 [4.000] | 80 | 12 | 9-146762-0 |
| 11 | 96.52 [3.800] | 99.06 [3.900] | 78 | 12 | 8-146762-9 |
| 11 | 93.98 [3.700] | 96.52 [3.800] | 76 | 12 | 8-146762-8 |
| 11 | 91.44 [3.600] | 93.98 [3.700] | 74 | 12 | 8-146762-7 |
| 11 | 88.90 [3.500] | 91.44 [3.600] | 72 | 12 | 8-146762-6 |
| 11 | 86.36 [3.400] | 88.90 [3.500] | 70 | 12 | 8-146762-5 |
| 11 | 83.82 [3.300] | 86.36 [3.400] | 68 | 12 | 8-146762-4 |
| 11 | 81.28 [3.200] | 83.82 [3.300] | 66 | 12 | 8-146762-3 |
| 11 | 76.20 [3.000] | 78.74 [3.100] | 62 | 12 | 8-146762-2 |
| 11 | 73.66 [2.900] | 76.20 [3.000] | 60 | 12 | 8-146762-1 |
| 11 | 71.12 [2.800] | 73.66 [2.900] | 58 | 12 | 8-146762-0 |
| 11 | 68.58 [2.700] | 71.12 [2.800] | 56 | 12 | 7-146762-9 |
| 11 | 66.04 [2.600] | 68.58 [2.700] | 54 | 12 | 7-146762-8 |
| 11 | 63.50 [2.500] | 66.04 [2.600] | 52 | 12 | 7-146762-7 |
| 11 | 60.96 [2.400] | 63.50 [2.500] | 50 | 12 | 7-146762-6 |
| 11 | 58.42 [2.300] | 60.96 [2.400] | 48 | 12 | 7-146762-5 |
| 11 | 55.88 [2.200] | 58.42 [2.300] | 46 | 12 | 7-146762-4 |
| 11 | 53.34 [2.100] | 55.88 [2.200] | 44 | 12 | 7-146762-3 |
| 11 | 50.80 [2.000] | 53.34 [2.100] | 42 | 12 | 7-146762-2 |
| 11 | 45.72 [1.800] | 48.26 [1.900] | 38 | 12 | 7-146762-1 |
| 11 | 43.18 [1.700] | 45.72 [1.800] | 36 | 12 | 7-146762-0 |
| 11 | 40.64 [1.600] | 43.18 [1.700] | 34 | 12 | 6-146762-9 |
| 11 | 38.10 [1.500] | 40.64 [1.600] | 32 | 12 | 6-146762-8 |
| 11 | 33.02 [1.300] | 35.56 [1.400] | 28 | 12 | 6-146762-7 |
| 11 | 30.48 [1.200] | 33.02 [1.300] | 26 | 12 | 6-146762-6 |
| 11 | 27.94 [1.100] | 30.48 [1.200] | 24 | 12 | 6-146762-5 |
| 11 | 25.40 [1.000] | 27.94 [1.100] | 22 | 12 | 6-146762-4 |
| 11 | 17.78 [.700] | 20.32 [.800] | 16 | 12 | 6-146762-3 |
| 11 | 15.24 [.600] | 17.78 [.700] | 14 | 12 | 6-146762-2 |
| 11 | 12.70 [.500] | 15.24 [.600] | 12 | 12 | 6-146762-1 |
| 9 | 5.08 [.200] | 7.62 [.300] | 6 | 12 | 6-146762-0 |
| 9 | 2.54 [.100] | 5.08 [.200] | 4 | 12 | 5-146762-9 |
| 9 | | 2.54 [.100] | 2 | 12 | 5-146762-8 |
| 11 | 22.86 [.900] | 25.40 [1.000] | 20 | 12 | 5-146762-7 |
| 11 | 78.74 [3.100] | 81.28 [3.200] | 64 | 12 | 5-146762-6 |
| 11 | 48.26 [1.900] | 50.80 [2.000] | 40 | 12 | 5-146762-5 |
| 11 | 35.56 [1.400] | 38.10 [1.500] | 30 | 12 | 5-146762-4 |
| 11 | 20.32 [.800] | 22.86 [.900] | 18 | 12 | 5-146762-3 |
| 9 | 10.16 [.400] | 12.70 [.500] | 10 | 12 | 5-146762-2 |
| 9 | 7.62 [.300] | 10.16 [.400] | 8 | 12 | 5-146762-1 |
| FINISH | B | A | NO OF POSN | PART NUMBER | |

OBSOLETE

146762

| | | | | | |
|---|----------------|-------------------------------|--|-------------------------------|------------------------|
| THIS DRAWING IS A CONTROLLED DOCUMENT. | | DWN M.BINNER 06NOV2002 | STE TE Connectivity | | |
| DIMENSIONS: mm [INCHES] | | CHK J.OLSON 06NOV02 | | | |
| TOLERANCES UNLESS OTHERWISE SPECIFIED: | | APVD J.OLSON 06NOV02 | NAME RECEPTACLE ASSEMBLY, MOD IV, DOUBLE ROW, TOP ENTRY, .100X.100CL, VERTICAL MOUNT, AMPMODU | | |
| 0 PLC ± - 1 PLC ± - 2 PLC ± 0.13 [.005] 3 PLC ± - 4 PLC ± - ANGLES ± - | | PRODUCT SPEC 108-25022 | SIZE A2 | CAGE CODE 00779 | DRAWING NO C=146762 |
| MATERIAL 1 | FINISH 2 11 | APPLICATION SPEC 114-25018 | RESTRICTED TO - | SCALE 1:1 SHEET 2 of 2 REV J5 | |
| CUSTOMER DRAWING | | | | | |

单击下面可查看定价，库存，交付和生命周期等信息

[>>TE Connectivity\(泰科\)](#)