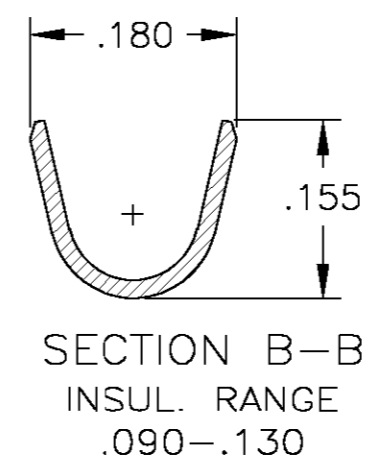
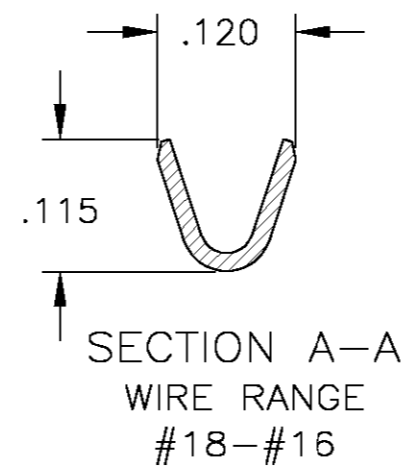
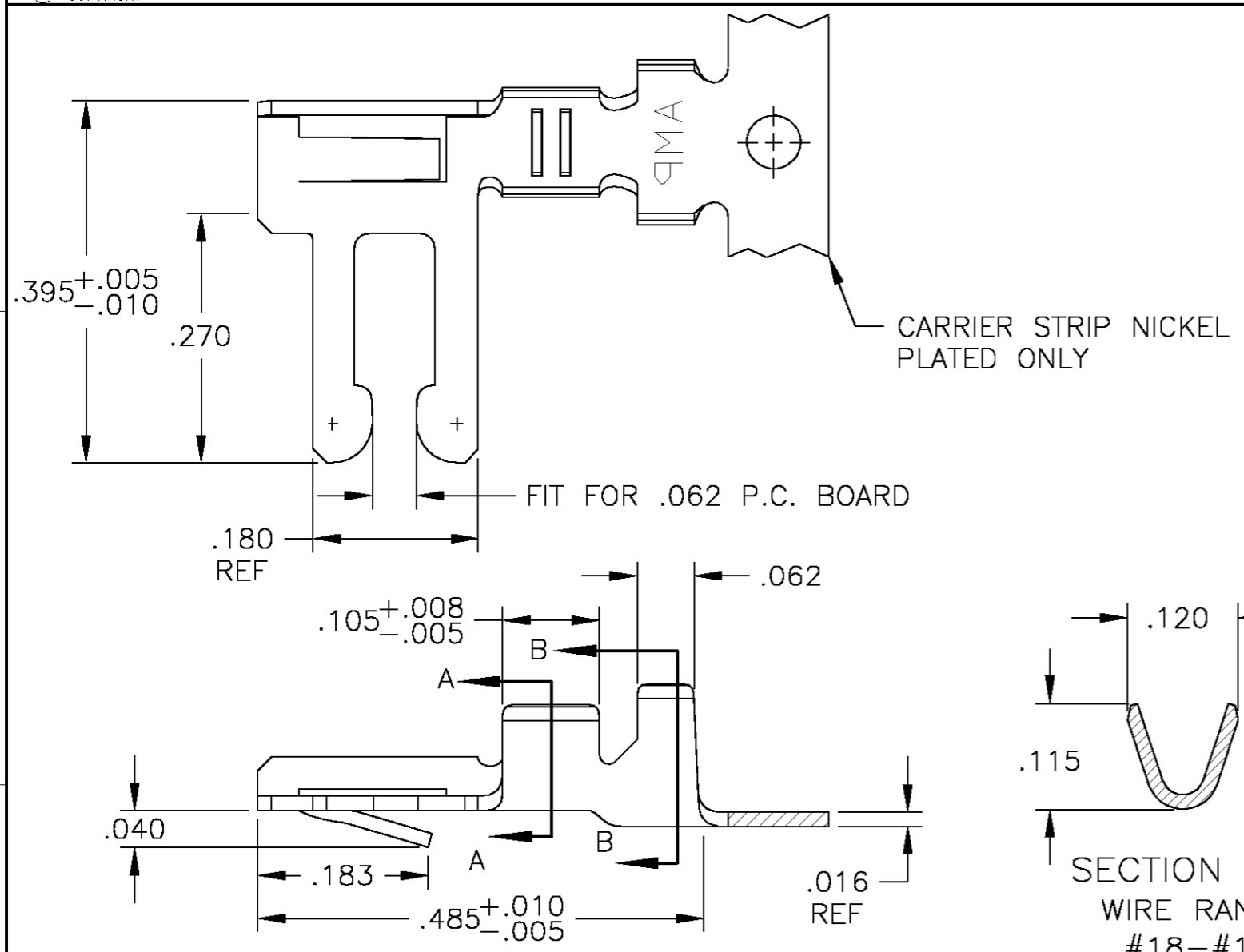


THIS DRAWING IS UNPUBLISHED. RELEASED FOR PUBLICATION
 © COPYRIGHT BY TYCO ELECTRONICS CORPORATION. ALL RIGHTS RESERVED.

LOC	DIST	REVISIONS			
P	LTR	DESCRIPTION	DATE	DWN	APVD
FT	00	G	REV PER 0G3C-0519-00	03APR01	MB MM



- TO BE USED IN HOUSING WITH INSULATION CAVITY OF .123 X .155.
- .000030 GOLD OVER .000050 NICKEL IN CONTACT AREA. .000050 NICKEL ON REMAINDER OF CONTACT.
- .000015 GOLD OVER .000050 NICKEL IN CONTACT AREA. REMAINDER OF CONTACT .000050 NICKEL.
- L-R FEED FOR MINI-APPL.

FINISH	PART NUMBER
	530503-7
	530503-6
TIN PLATE	530503-5
	530503-4
	530503-3
TIN PLATE	530503-2

THIS DRAWING IS A CONTROLLED DOCUMENT.		DWN M.BINNER 03APR01	Tyco Electronics Corporation Harrisburg, PA	
DIMENSIONS: INCHES		CHK M.MILLER 05APR01	NAME CONTACT, 22-18 AWG, DUO-TYNE FLAG	
TOLERANCES UNLESS OTHERWISE SPECIFIED:		APVD M.MILLER 05APR01	SIZE A3 CAGE CODE 00779 DRAWING NO C-530503 RESTRICTED TO	
0 PLC ± -		PRODUCT SPEC	SCALE 6:1 SHEET 1 OF 1 REV G	
1 PLC ± -		APPLICATION SPEC		
2 PLC ± -		WEIGHT -		
3 PLC ± .005		CUSTOMER DRAWING		
4 PLC ± .0005				
ANGLES ± -				
MATERIAL BERYLLIUM COPPER	FINISH SEE TABLE			

单击下面可查看定价，库存，交付和生命周期等信息

[>>TE Connectivity\(泰科\)](#)