

4

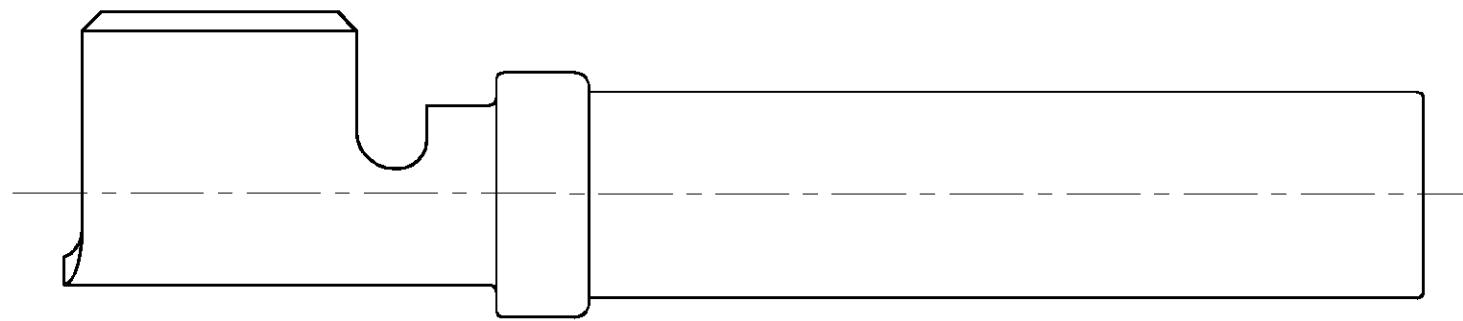
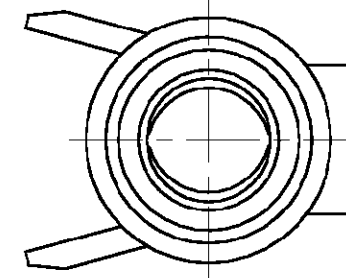
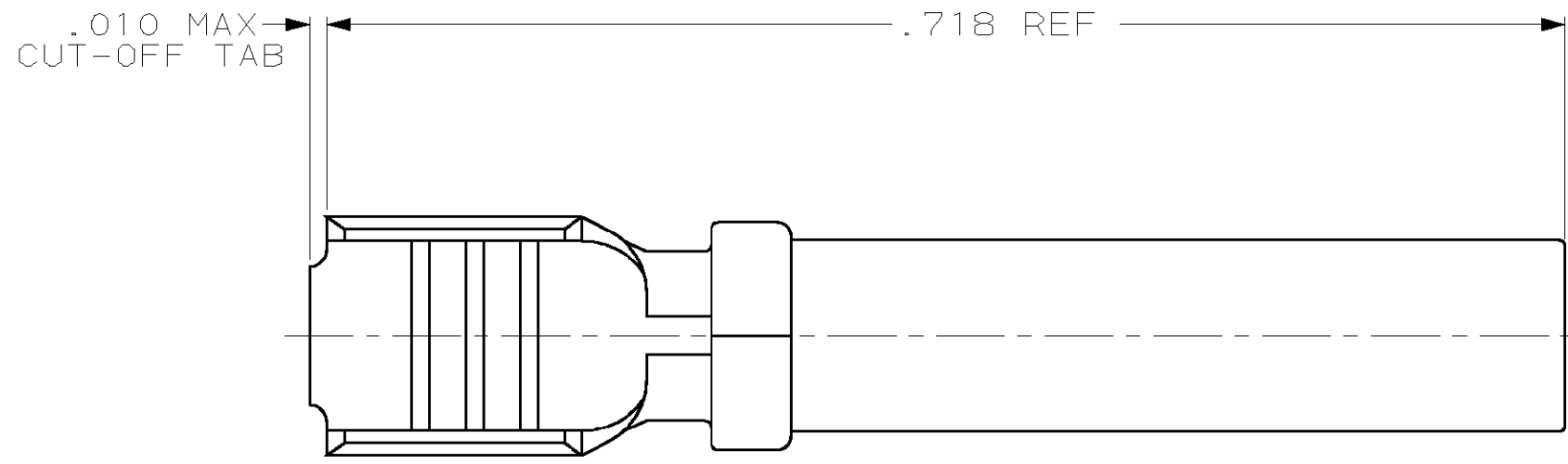
3

2

1

THIS DRAWING IS UNPUBLISHED. RELEASED FOR PUBLICATION .19
 BY AMP INCORPORATED. ALL RIGHTS RESERVED.

LOC	DIST	REVISIONS			
P	LTR	DESCRIPTION	DATE	DWN	APVD
0		REL PER PR# 99-7	2-17-99	PC	WL
A		REV PER EC 0K40-0013-01	24AUG01	AG	MT



1. WIRE RANGE: 18-14 AWG

LOOSE PIECE VERSION OF 638090-2	NICKEL	776297-2
LOOSE PIECE VERSION OF 638090-1	GOLD	776297-1
DESCRIPTION	FINISH	PART NUMBER

THIS DRAWING IS A CONTROLLED DOCUMENT.		DWN P. COLLINS 2-17-99	AMP Incorporated	
DIMENSIONS: mm		CHK W. LONG 2-17-99	Harrisburg, PA 17105-3508	
TOLERANCES UNLESS OTHERWISE SPECIFIED:		APVD G. MARPOE 2-17-99	NAME ASSEMBLY, SOCKET LOOSE PIECE	
0 PLC ±-	1 PLC ±-	PRODUCT SPEC -	SIZE A2	CAGE CODE 00779
2 PLC ±0.5	3 PLC ±0.13	APPLICATION SPEC -	DRAWING NO. G- 776297	RESTRICTED TO -
4 PLC ±-	ANGLES ±-	WEIGHT -	SCALE -	SHEET 1 OF 1
MATERIAL -	FINISH -	CUSTOMER DRAWING	REV A	

776297

B

A

单击下面可查看定价，库存，交付和生命周期等信息

[>>TE Connectivity\(泰科\)](#)