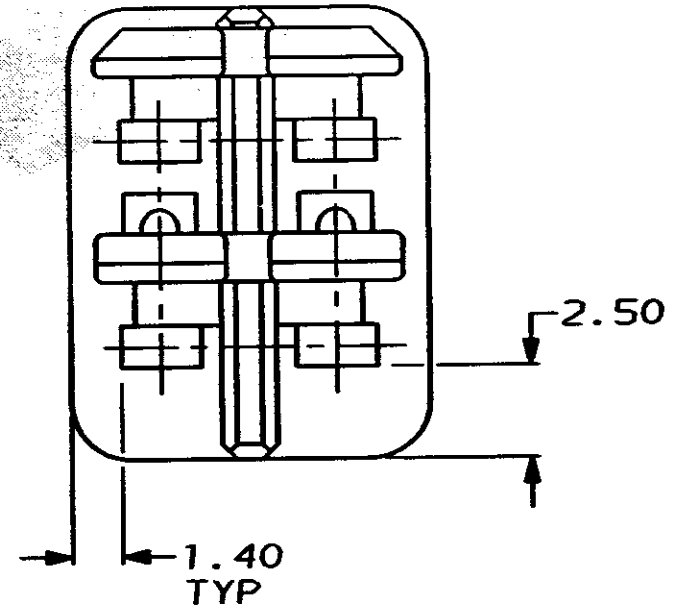
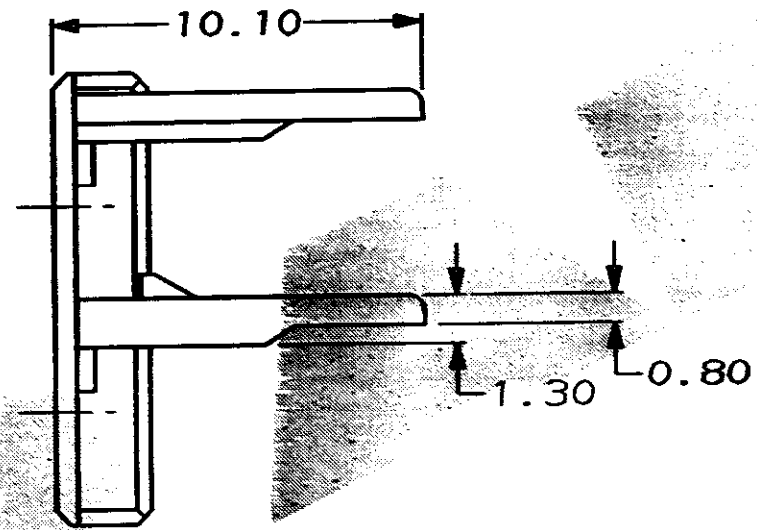
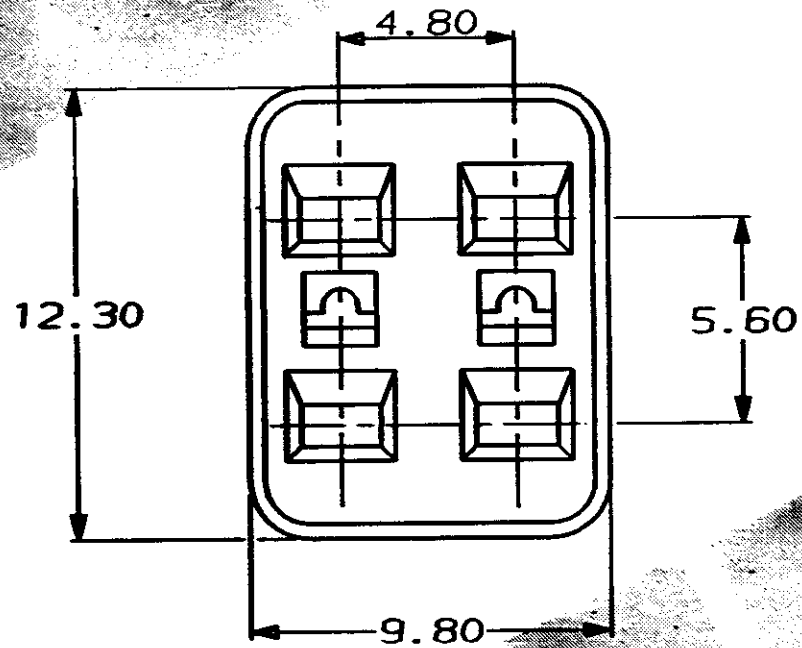
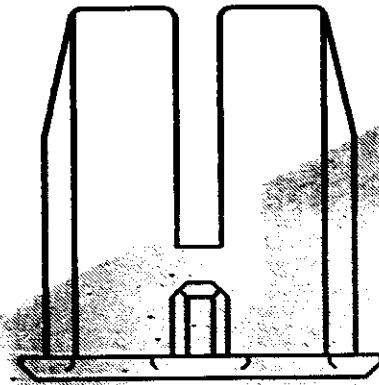
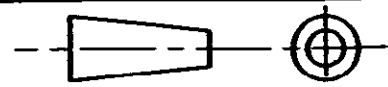


5. C345258.0


DO NOT SCALE

DIMENSIONS IN MM.



NOTE

THIS PART IS USED ON Pt.No. 344270-1

YELLOW				NYLON 66				345258-1			
COLOUR				MATERIAL				PART NUMBER			
CUSTOMER DWG FOR REFERENCE ONLY				©COPYRIGHT 1989 BY AMP OF GREAT BRITAIN LTD. ALL INTERNATIONAL RIGHTS RESERVED. ALL PRODUCTS MAY BE COVERED BY BRITISH AND FOREIGN PATENTS AND/OR PATENTS PENDING.				RELEASED FOR PUBLICATION 05 DEC 1989			
								DR. R. RUNAGALL.		05/12/89	
				TOLERANCES UNLESS OTHERWISE STATED :				CH. D.R. TERRY.			
				DEC ± 0.5				APP. R. SIMMONS.			
				ANGLES ± 1°				 AMP of Great Britain Ltd.			
				NAME							
				A/BACKOUT FOR 4 WAY REC. H5G. ECONOSEAL 3 LOW CURRENT							
0	REL. FOR PRODUCTION	C3580	10/02/90	SCALE	LOC	SIZE	DWG. No.	REV	SHEET		
REV	APPROVED	ECN	DATE	5/1	E	A3	C345258	0	1/1		

单击下面可查看定价，库存，交付和生命周期等信息

[>>TE Connectivity\(泰科\)](#)