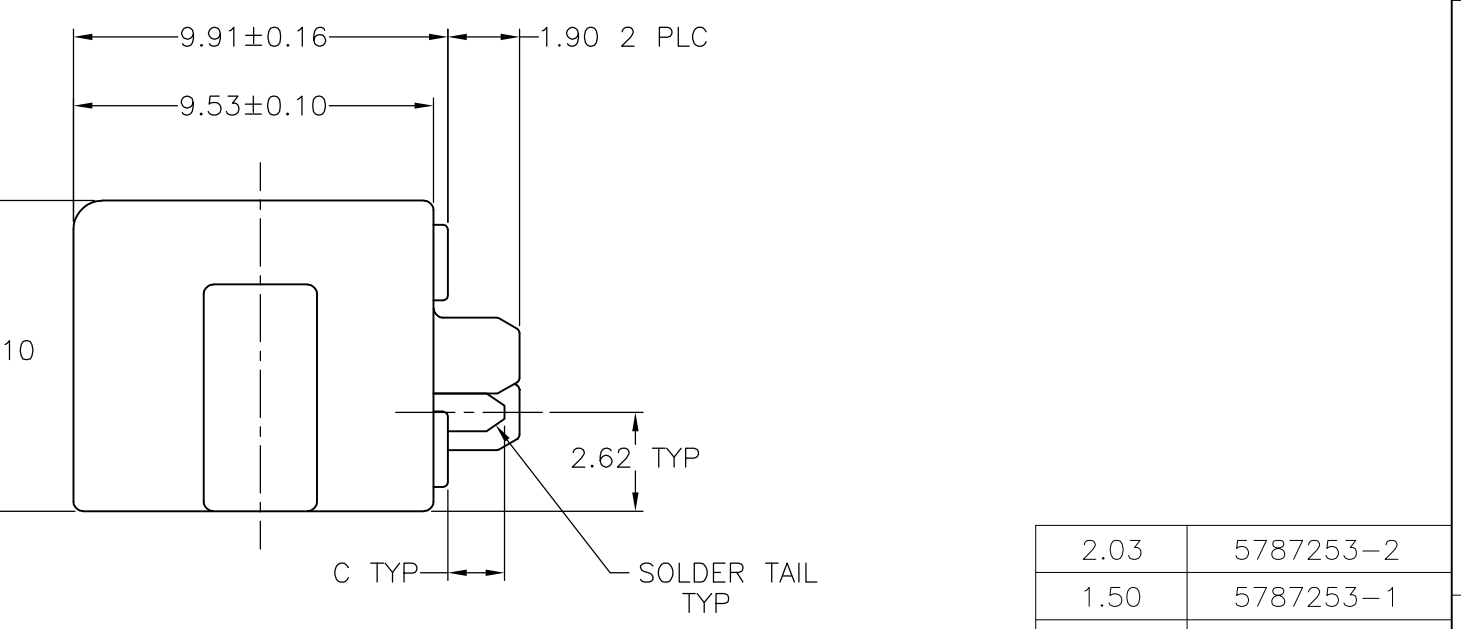
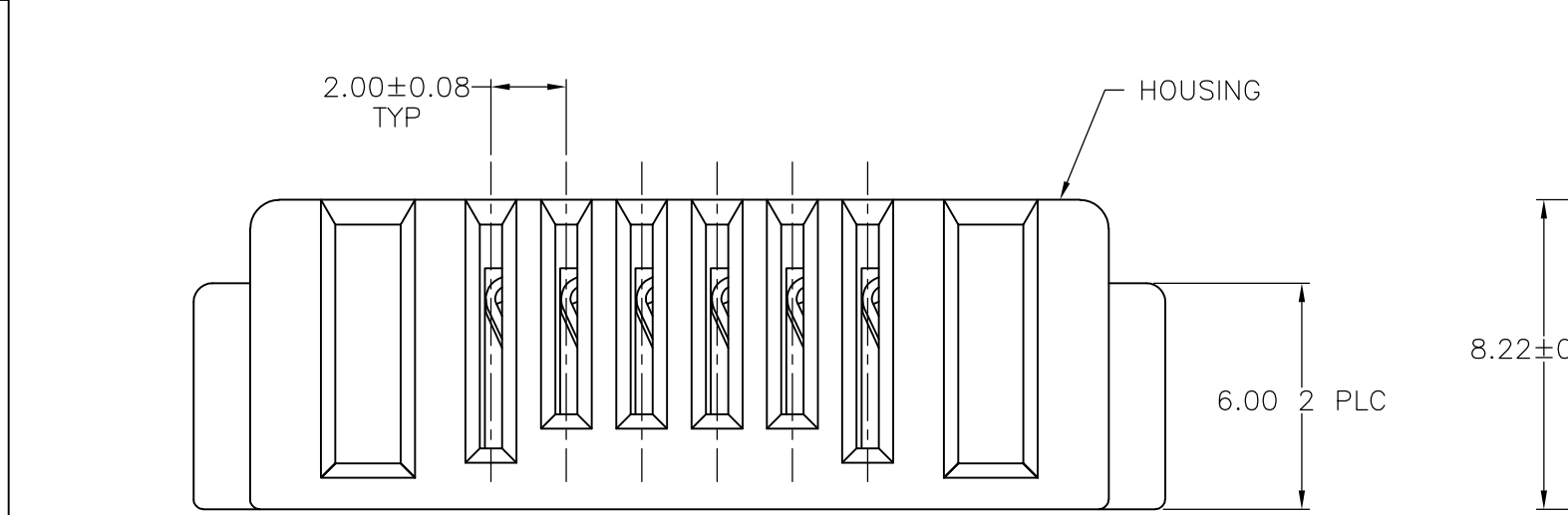
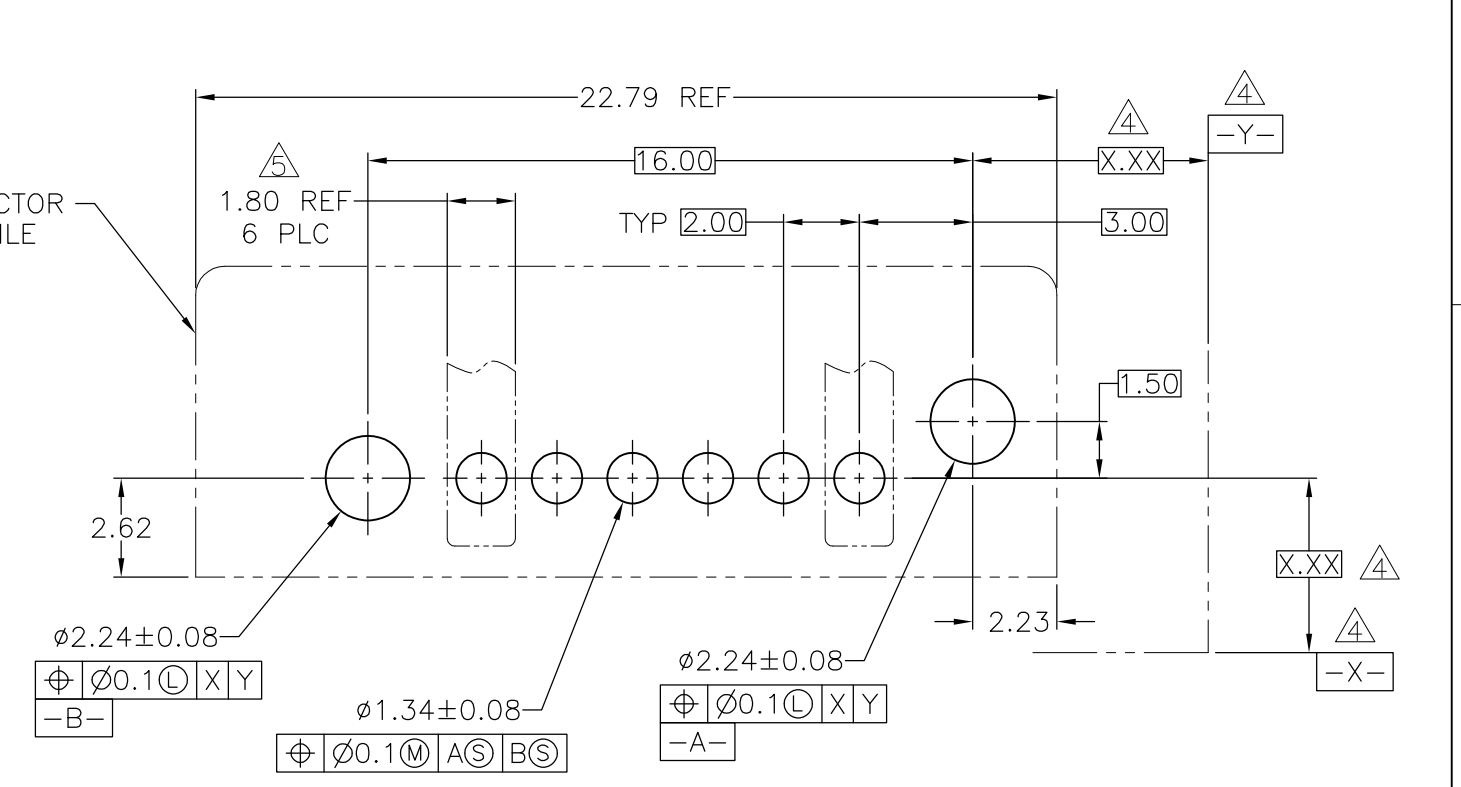
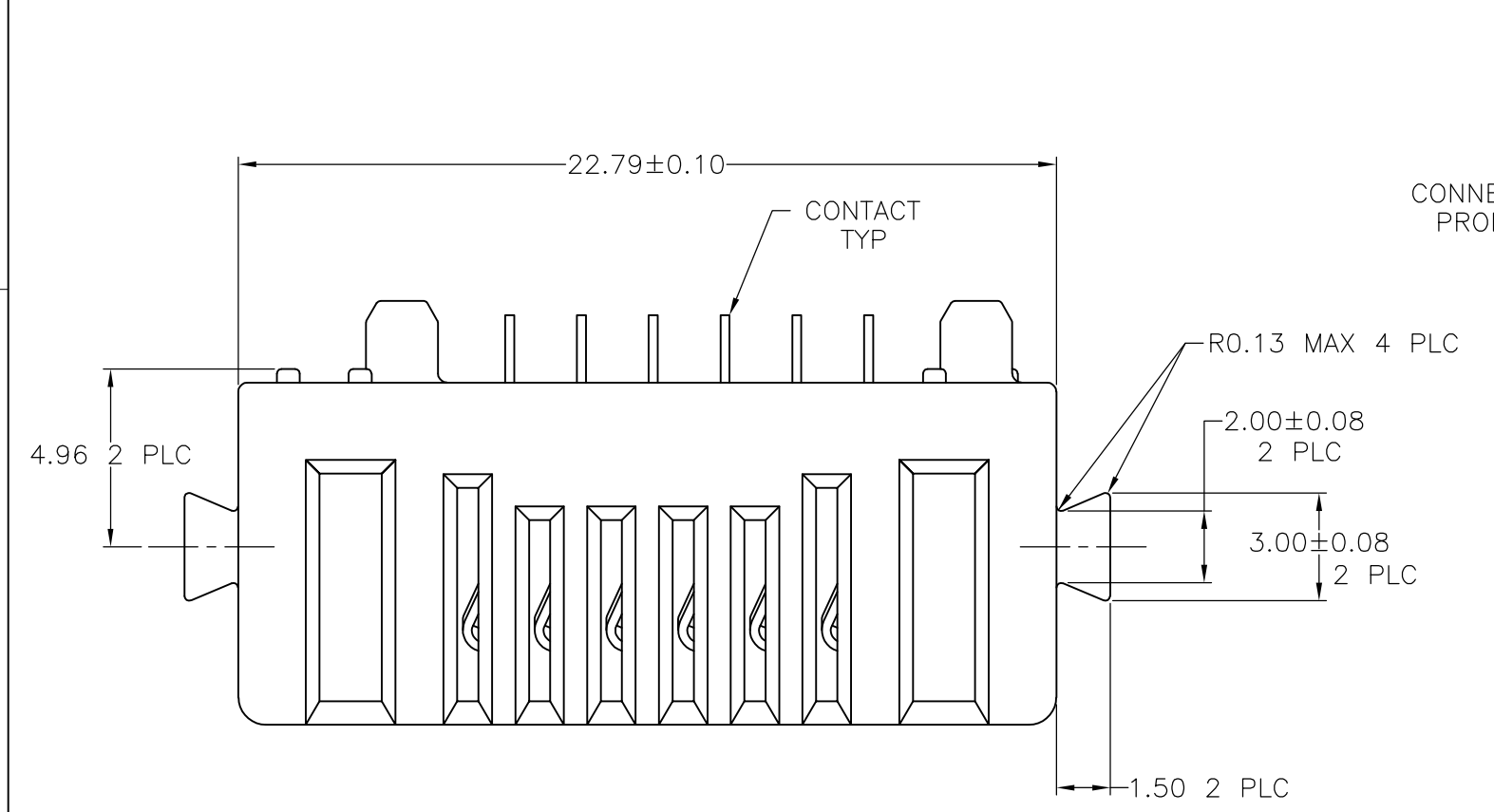


THIS DRAWING IS UNPUBLISHED. RELEASED FOR PUBLICATION
 © COPYRIGHT - By - ALL RIGHTS RESERVED.

LOC	DIST	REVISIONS					
ES	00	P	LTR	DESCRIPTION	DATE	DWN	APVD
		A1		REVISED PER ECO-11-005033	29MAR11	RK	HMR



2.03	5787253-2
1.50	5787253-1
C	PART NO.

NOTE:
 1 LCP, UL 94V-0 RATED, BLACK.
 2 PHOSPHOR BRONZE.
 3 0.076um MIN. GOLD OVER 0.76um MIN. PALLADIUM NICKEL ON MATING AREA, 3.80um MIN. TIN ON SOLDER TAIL, ALL OVER 1.27um MIN. NICKEL.
 4 DATUMS AND BASIC DIMENSIONS ESTABLISHED BY CUSTOMER.
 5 RECOMMENDED MINIMUM TRACE WIDTH FOR END POSITIONS WHEN CARRYING 3 AMPS: 1.8 WIDE x 55um THICK, BOTH SIDES.

THIS DRAWING IS A CONTROLLED DOCUMENT.		DWN	GAVIN ZHANG	23NOV04	TE Connectivity RECEPTACLE ASSEMBLY, 6 POSITION, THRU-HOLE, MDI
		CHK	STEVEN YAO	23NOV04	
		APVD	I. ENOMOTO	23NOV04	
		PRODUCT SPEC			
DIMENSIONS: mm		TOLERANCES UNLESS OTHERWISE SPECIFIED:		NAME	
		0 PLC	± -	-	
		1 PLC	± -	-	
		2 PLC	± 0.13	-	
		3 PLC	± -	-	
		4 PLC	± -	-	
		ANGLES	± -	-	
MATERIAL		FINISH		SIZE	
				A3 00779 C-5787253	
		WEIGHT		CAGE CODE	
		-		00779	
		CUSTOMER DRAWING		DRAWING NO	
				5787253	
		SCALE		RESTRICTED TO	
		5:1		-	
		SHEET		REV	
		1 OF 1		A1	

单击下面可查看定价，库存，交付和生命周期等信息

[>>TE Connectivity\(泰科\)](#)