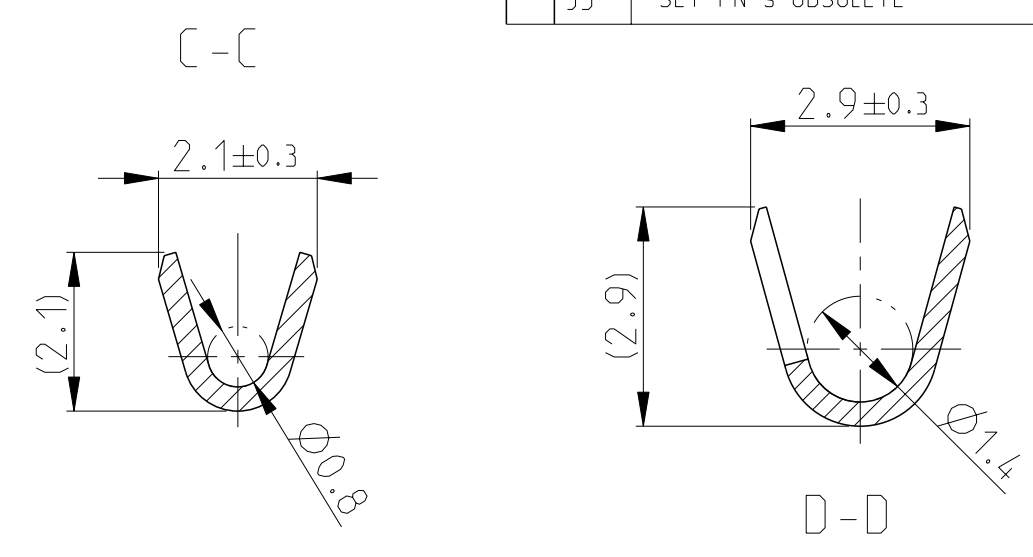
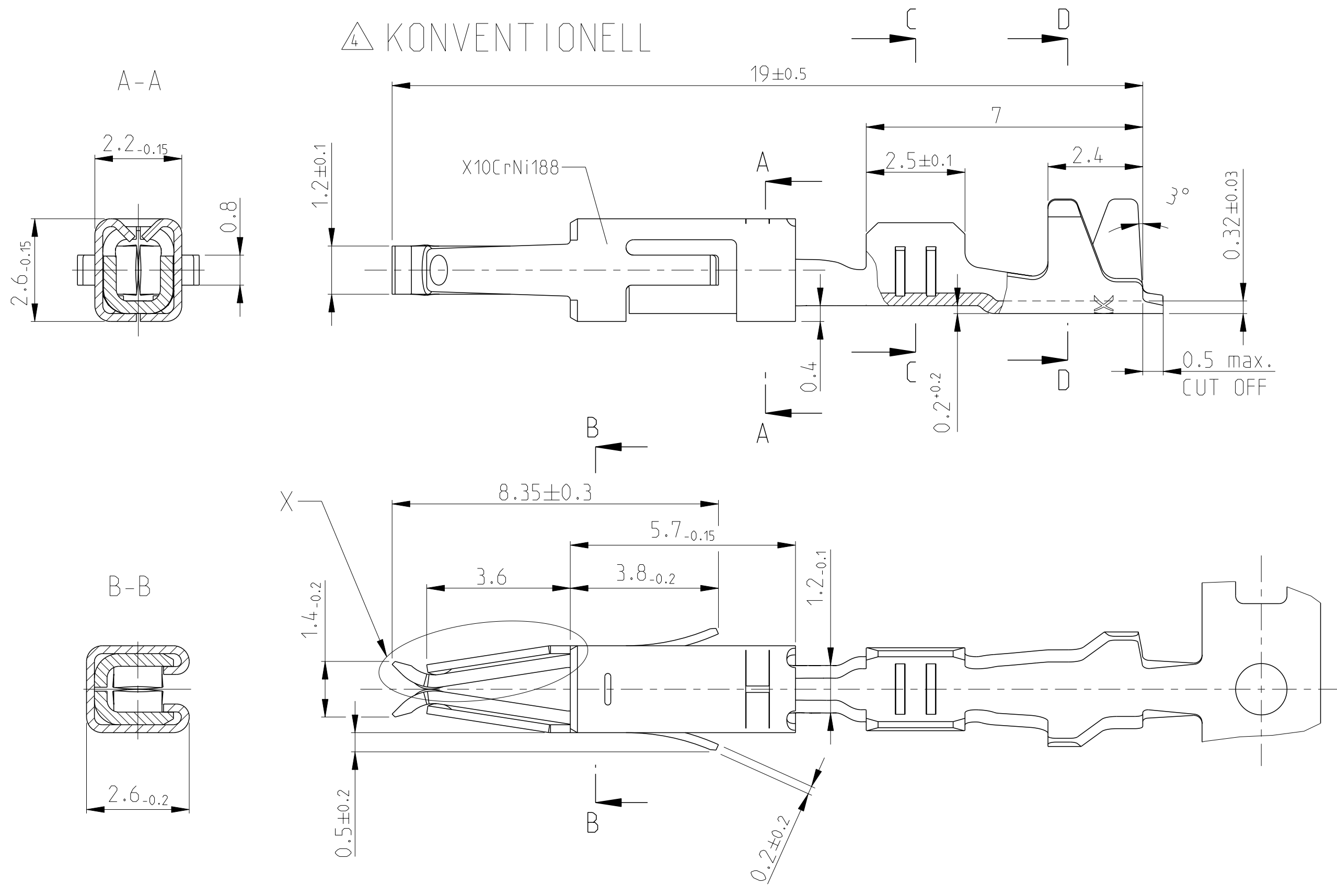


THIS DRAWING IS UNPUBLISHED. RELEASED FOR PUBLICATION 2008
 © COPYRIGHT 2008 Tyco Electronics AMP GmbH ALL RIGHTS RESERVED.

REVISIONS					
P	LTR	DESCRIPTION	DATE	DWN	APVD
J2		NEW VERSION OF GOLD CONTACTS PERMITTED.	18MAY2011	Kirs	Mair
J3		OPTIONAL to note 8 TTD added. (area A3)	28JUN2011	Kirs	Mair
J4		SURFACE ERROR (962942-6) CHANGE NOTE 1 TO NOTE 2	06MAR2012	Kirs	Eder
J5		SET PN's OBSOLETE	17JUN2014	Ho.	Eder

4 KONVENTIONELL

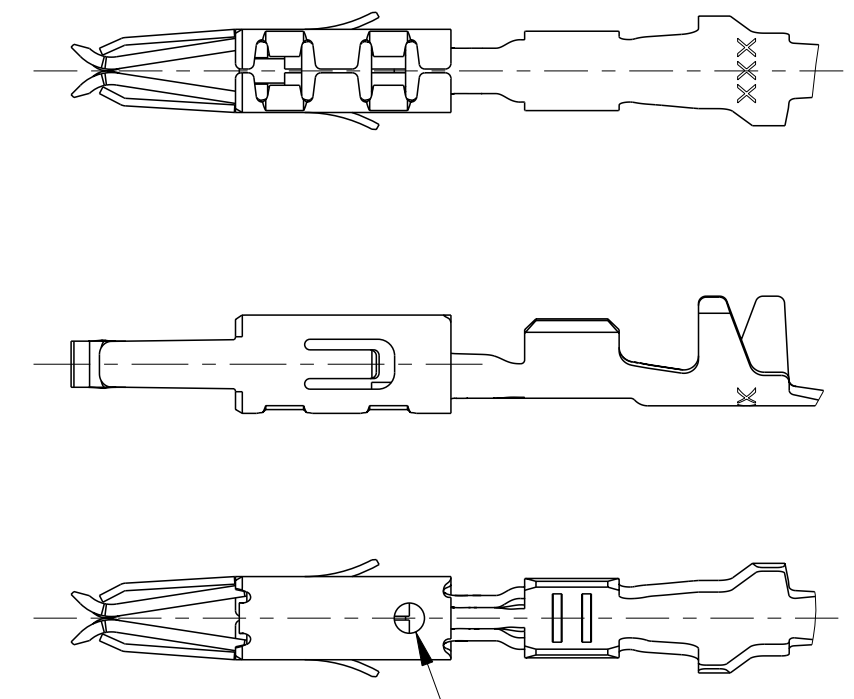
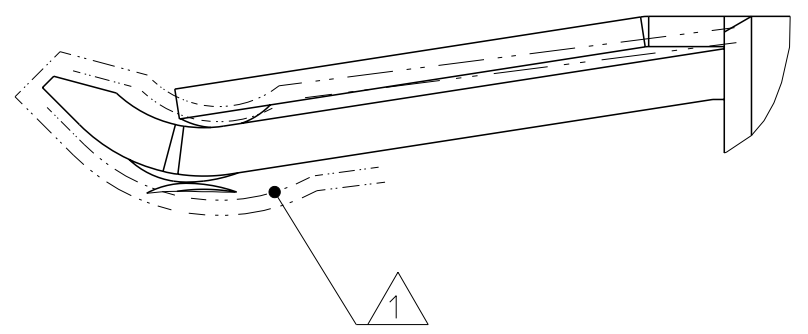


NOTES
Bemerkungen

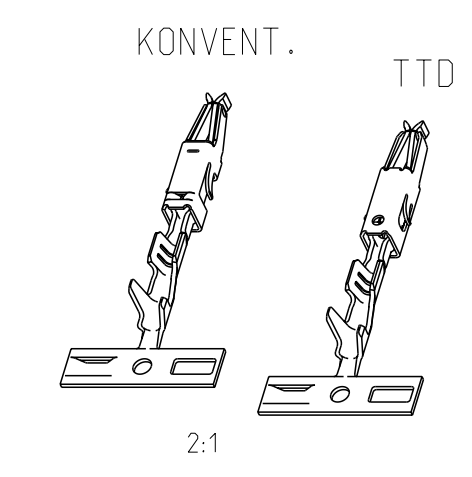
- 1 SELECTIVE GOLD OVER NICKEL 0.8 µm MIN.
selektiv vergoldet ueber Nickel 0.8 µm min.
- 2 TIN PLATED OVER NICKEL 0.2 µm MIN.
verzinkt ueber Nickel 0.2 µm min.
- 3 WIRE RANGE : 0.2 - 0.5 mm²
INSULATION-Ø : 1.15 - 1.6 mm (FLR)
Drahtgroessenbereich : 0.2 - 0.5 mm²
Isolations-Ø : 1.15 - 1.6 mm (FLR)

X
M 20:1

5 TWO TRACK DIE
M 5:1



OPTIONAL
wahlweise



4	5	962944-5	1	2	CuFe2	962942-5	J	
4	5	962944-3	1	2	CuSn4	962942-3	J	
5		962944-2			PRETIN	CuFe2	962942-2	J
5		962944-1			PRETIN	CuSn4	962942-1	J
VERSION	LP NO	SURFACE / Oberflaeche	MATERIAL	PART NO	REV			

THIS DRAWING IS A CONTROLLED DOCUMENT.

DIMENSIONS: mm	TOLERANCES UNLESS OTHERWISE SPECIFIED: 0-PLC ± 1-PLC ± 2-PLC ±0.2 3-PLC ± 4-PLC ± ANGLES ±2° FINISH	DWN M.Pfeilschiffer 24-JUL-03 CHK M.Brunner 24-JUL-03 APVD M.Bleicher 24-JUL-03	STE TE Connectivity
MATERIAL		PRODUCT SPEC 108-18055 APPLICATION SPEC 114-18081	NAME MICRO TIMER 2 CONTACT Micro Timer 2 Kontakt
		WEIGHT 0.3 g	SIZE A2
		Customer Drawing	CAGE CODE 00779
			DRAWING NO 962942
			RESTRICTED TO -
			SCALE 10:1
			SHEET 1 OF 1
			REV J5

单击下面可查看定价，库存，交付和生命周期等信息

[>>TE Connectivity\(泰科\)](#)