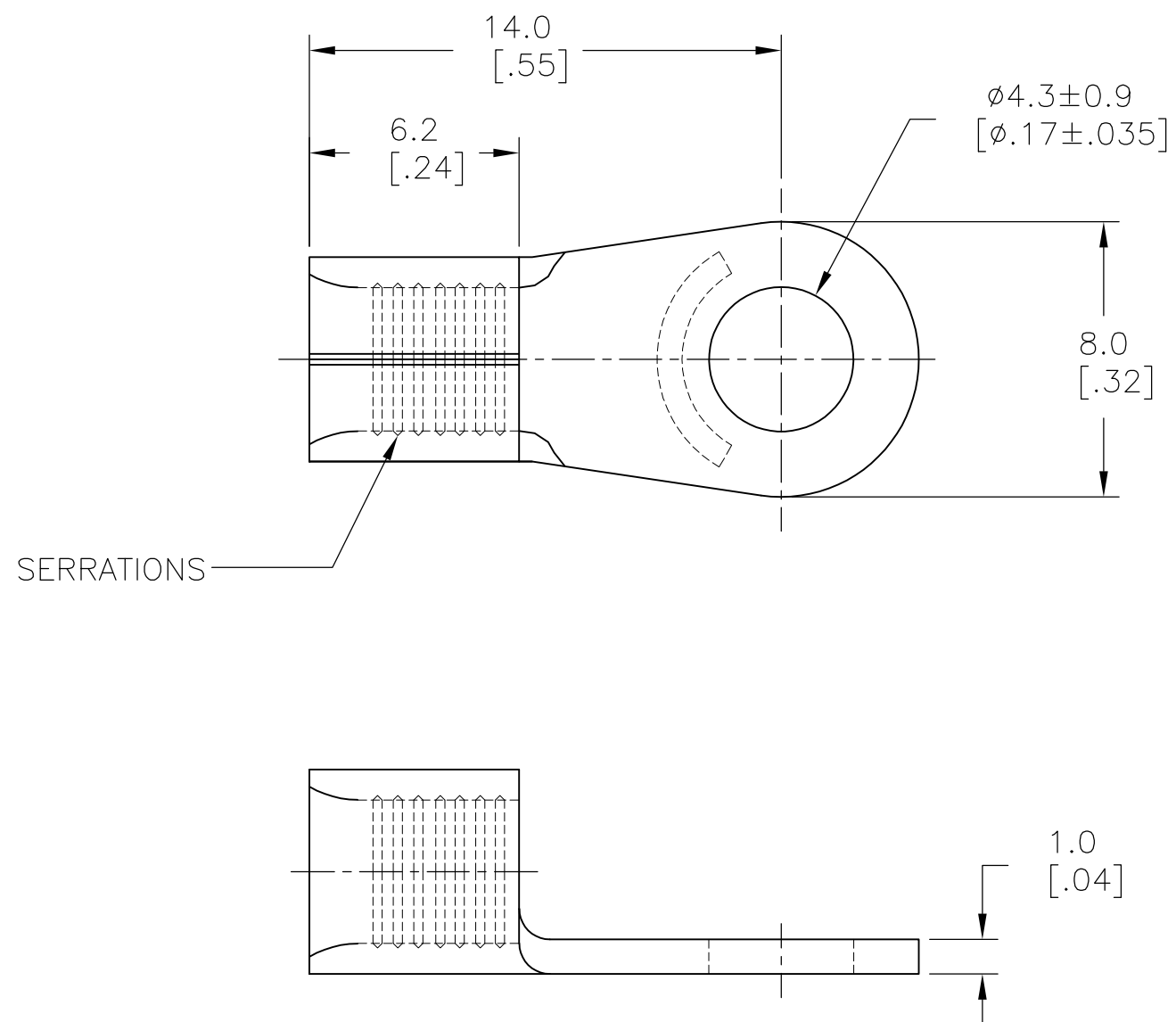


THIS DRAWING IS UNPUBLISHED. RELEASED FOR PUBLICATION
 © COPYRIGHT - By - ALL RIGHTS RESERVED.

LOC	DIST	REVISIONS			
P	LTR	DESCRIPTION	DATE	DWN	APVD
H	86	D1	REVISED PER ECO-13-006585	19APR13	KH DR



165301-0
 PART NO

THIS DRAWING IS A CONTROLLED DOCUMENT.		DWN jr_ruth 12MAY04	TE Connectivity		
DIMENSIONS: mm [INCHES]		CHK T MICHELUTTI 12MAY04			
		APVD T MICHELUTTI 12MAY04	RING TONGUE SOLISTRAND WIRE SIZE: 4-6mm ²		
TOLERANCES UNLESS OTHERWISE SPECIFIED:		PRODUCT SPEC	RESTRICTED TO		
0 PLC ± 0.2 1 PLC ± 0.2 2 PLC ± 0.2 3 PLC ± - 4 PLC ± - ANGLES ± 5°		APPLICATION SPEC	SIZE	CAGE CODE	DRAWING NO
MATERIAL COPPER	FINISH TIN PLATED	WEIGHT -	A3	00779	C-165301
CUSTOMER DRAWING			SCALE 5:1	SHEET 1 OF 1	REV D1

单击下面可查看定价，库存，交付和生命周期等信息

[>>TE Connectivity\(泰科\)](#)